



ZMK-1

**Zenitel Multipurpose Kit**  
**Mounting & Installation Manual**

# About

This document serves as a mounting and installation guide for the Zenitel Multipurpose Kit-1 (ZMK-1). The ZMK-1 provides a whole range of different usage and connection possibilities. This manual mainly deals with the primary function of this kit, namely installation to a touch screen.

For more information and instructions on configuration of the ZMK-1 go to: [wiki.zenitel.com/wiki/Main\\_Page](http://wiki.zenitel.com/wiki/Main_Page).

Item Number	Item Name	Description
1008560101	ZMK-1	Zenitel Multipurpose Kit - 1

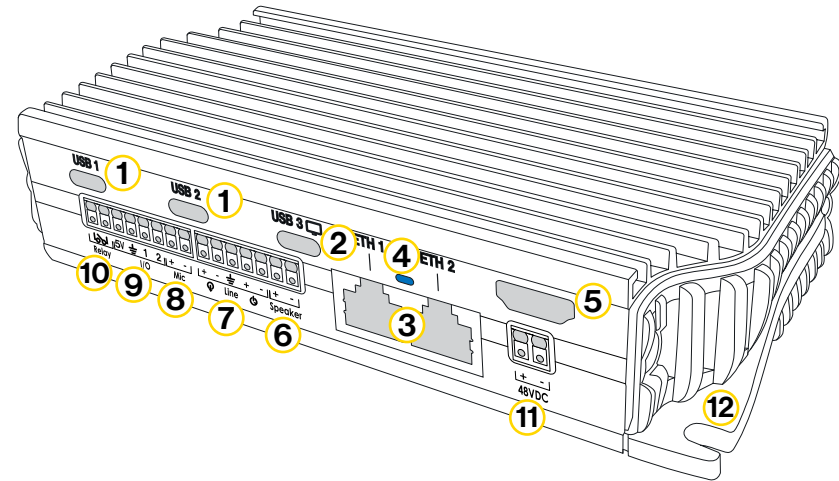
## Safety information

This manual describes the necessary steps to install the ZMK-1. It contains important instructions that must be followed. ZMK-1 must be installed by a trained technician in accordance with national and local regulations.

**!** **NB! An information symbol indicates that extra consideration must be taken. Damage to equipment can occur. Please read all warnings before installing this product.**

Zenitel takes no responsibility for damages caused by improper or inadequate mounting.

# Description

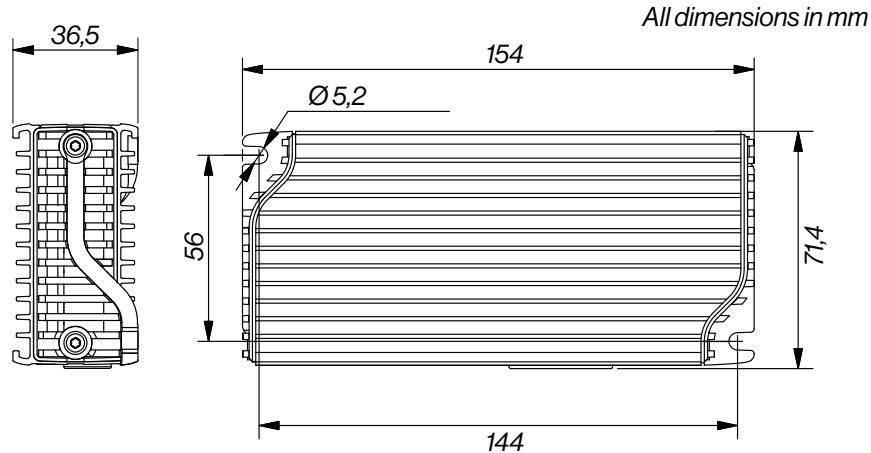


Item	Description	Comment
1	USB 1 & 2	USB-C (3.0). Used for 3rd party accessories such as camera, keypad, button module, etc.
2	USB 3	USB-C (2.0). Used for supplying power (1.5A) to display. Also provides touch function if it is a touch-based display.
3	Ethernet port 1 & 2	IEEE 802.3 bt compliant Ethernet ports. Connection to PoE+ or better switch/injector is recommended.
4	Power LED	Steady blue when power is applied to the ZMK-1.
5	HDMI	The HDMI port is to connect to an HDMI display.
6	Speaker Input	Connect an external speaker rated for 8 Ohm
7	Line Input / Output	This is single ended audio lines for sending/receiving audio to/from 3rd party devices such as hearing induction loop.
8	Mic input	Connection to external microphone, either dynamic or electret
9	I/O interface	2 I/O connection options. Typically used as digital input (eg. from a closing contact) or digital output (12mA).
10	Relay	The ZMK-1 has a built-in relay of which a NO contact is available on the connector strip. This can power up to 440W.
11	Power input	Optional 24-48VDC power input from external power supply
12	U-Notch	2 x U-Notches for mounting.

# Mounting

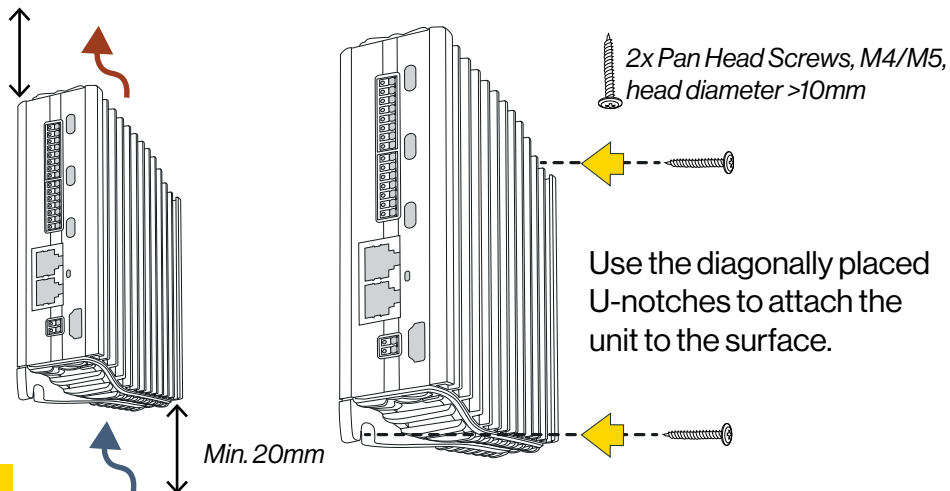
The **ZMK-1** can be mounted on any flat surface, either horizontally or vertically.

**!** **NB! The ZMK-1 has an IP20 rating, please make sure the unit is mounted in a dry environment.**



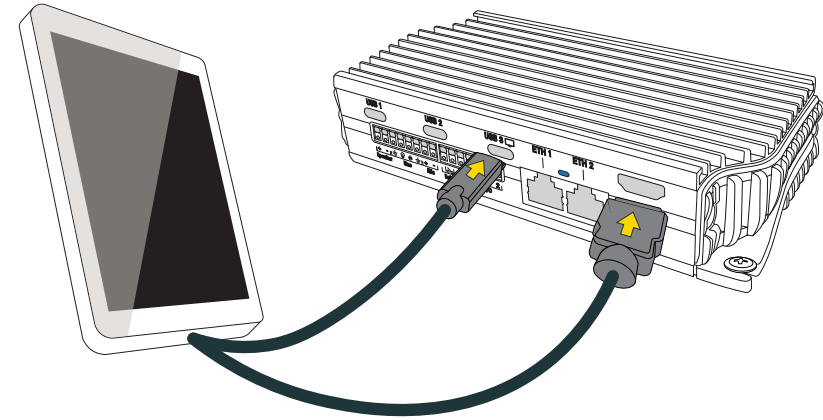
Zenitel recommends installing the ZMK-1 vertically, as shown in the illustration, to ensure optimal airflow through the device.

**!** **NB! To ensure adequate ventilation, leave at least 20mm clearance around the ZMK-1 when mounted.**



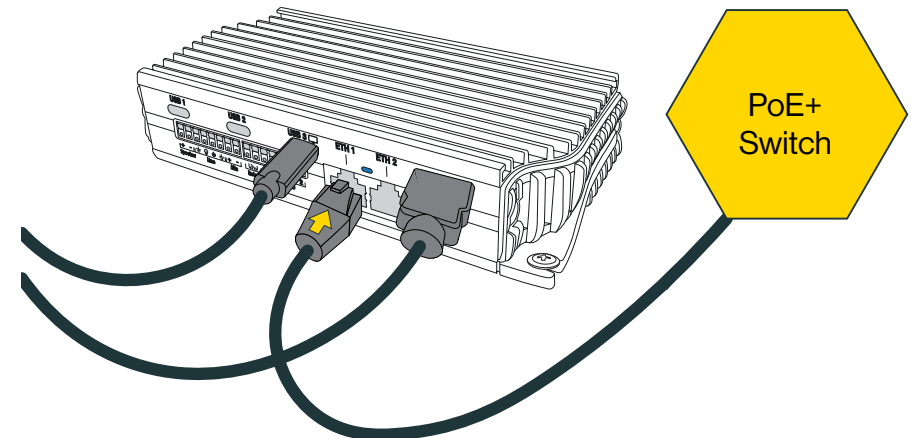
# Installation

**1** Connect **ZMK-1** to the touch screen by connecting a USB-C cable to the **USB port number 3** and an HDMI cable to the **HDMI port**, then connect the cables to the touch screen.



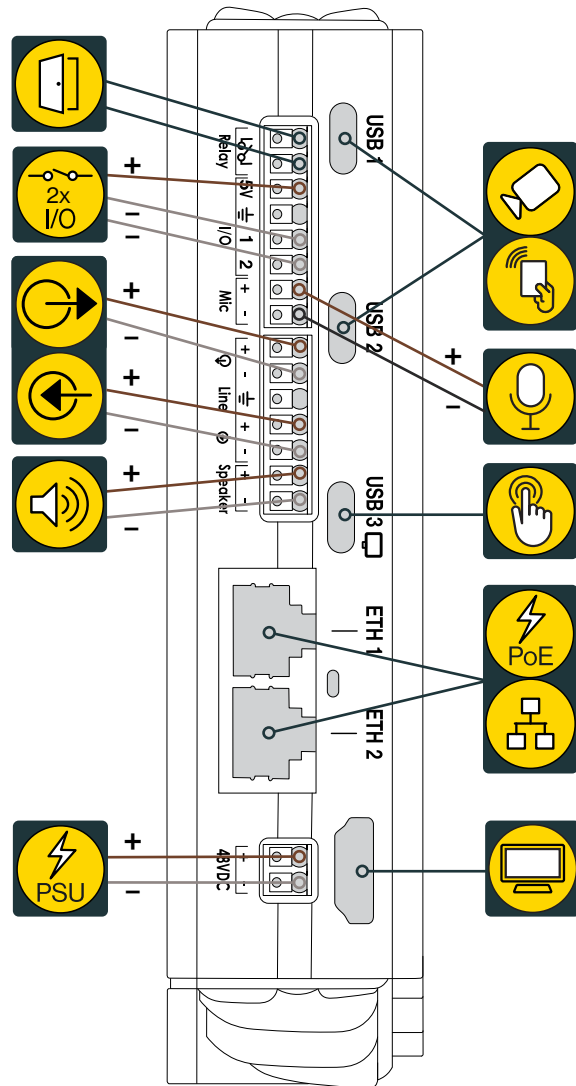
**2** Connect **ZMK-1** to a power source/network. Connect an Ethernet cable to either **Eth 1 port** or **Eth 2 port**, then connect a PoE+ Switch/Injector.

**!** **NB! The kit must be installed using a shielded Ethernet cable with grounding at the switch end.**



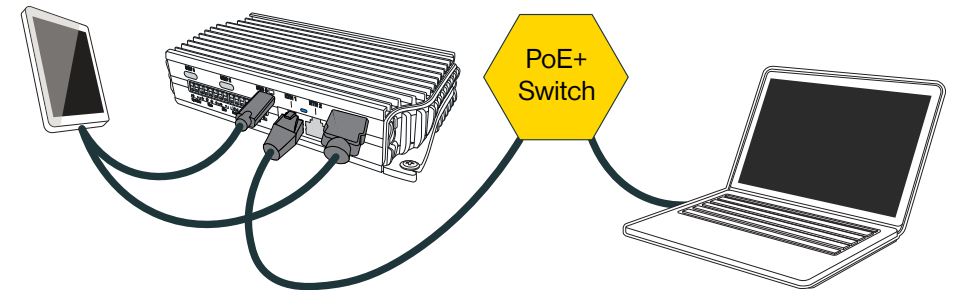
# Connectors

The **ZMK-1** provides a whole range of different usage and connection possibilities. The set of connectors enables tailor-made solutions suited to most needs. Connect the various components as shown in this figure.



# Start up

- 1 **Power up the ZMK-1 when all selected components are connected.** The system uses approximately 10 seconds to start up.
- 2 **Watch the LED.** When up and running, the blue **Power LED** will be lit.
- 3 **Connect a laptop to the switch.** Use an Ethernet cable.



- 4 **Get the IP address.** When the **ZMK-1** is connected to the network, the IP address of the device is automatically assigned in one of two ways:
  1. An IP address is automatically obtained from a DHCP server if a DHCP server is present on the network.
  2. If there is no DHCP server, a random IP address in the range 169.254.x.x will be assigned.
- 5 **Connect to web interface.** The **ZMK-1** feature an embedded web interface, which allows users to log in using a standard web browser. Open a web browser (e.g. Firefox or Chrome), and log to the interface using the units IP address.

The ZMK-1 kit can operate in two different modes, Edge and SIP, depending on what kind of server it is registered to. Enter the link or scan the QR-code below to go to Zenitel Wiki for configuration instructions.

Zenitel Wiki: [wiki.zenitel.com/wiki/Main\\_Page](http://wiki.zenitel.com/wiki/Main_Page).



# Contact Information

Visit [zenitel.com](http://zenitel.com) to find your country's contact information.



# Specifications

Technical specifications	Value
Weight	320g
Dimensions (HxWxD)	36.5 x 154 x 71.5mm
IP Rating	IP20
IK Rating	IK08
Relative humidity	< 95% not condensing
Operating temperature range	-40° to 70° C / -40° to 158 ° F
Encapsulation material	Aluminium
Power Options	PoE, PoE+, 24-48VDC PSU
PoE (power over Ethernet)	IEEE 802.3af standard, IEEE 802.3at



Zentel hereby declares that this product is in compliance with the essential requirements and other relevant provisions of directive 2014/53/EU and all other applicable EU directive requirements. The complete declaration can be found at [www.zenitel.com](http://www.zenitel.com).



**The WEEE Directive does not legislate that Zenitel, as a 'producer', shall collect 'end of life' WEEE. This 'end of life' WEEE should be recycled appropriately by the owner who should use proper treatment and recycling measures. It should not be disposed to landfill.**



Many electrical items that we throw away can be repaired or recycled. Recycling items helps to save our natural finite resources and also reduces the environmental and health risks associated with sending electrical goods to landfill.

Under the WEEE Regulations, all new electrical goods should now be marked with the crossed-out wheeled bin symbol shown.

Goods are marked with this symbol to show that they were produced after 13th August 2005, and should be disposed of separately from normal household waste so that they can be recycled.



**Hear, be heard, and be understood**  
– every time and everywhere

DOC. NO.

**A100K12170v1.5**

**customer.service@zenitel.com**



Zenitel and its subsidiaries assume no responsibility for any errors that may appear in this publication, or for damages arising from the information therein. Zenitel reserves the right to modify designs and alter specifications without notice. ZENITEL PROPRIETARY. This document and its supplementing elements contain Zenitel or third-party information which is proprietary. Any copying is prohibited, if not otherwise explicitly agreed in writing with Zenitel. Any authorized reproduction, in part or in whole, must include this legend. Zenitel – All rights reserved.