



TEIV+

Turbine Extended IP Video Station

Mounting & Installation Manual

A100K12201
v1.6

EN

About

This document serves as a mounting and installation guide for the TEIV+ Turbine Extended IP Video Stations.

For more information and instructions on configuration of the TEIV-1+ and TEIV-4+ go to: wiki.zenitel.com/wiki/Main_Page.

The TEIV+ series consists of the following components:

Item Number	Item Name	Description
1008317110	TEIV-1+	Turbine Extended IP Video Intercom with Keypad and Display
1008318240	TEIV-4+	Turbine Extended IP Video with RFID Card Reader Space
1008140330	TA-33	Turbine Extended On-wall Backbox
1008140340	TA-34	Turbine Extended Flushmount Backbox

Safety information

This manual contains important instructions that must be followed. These instructions are intended to ensure that the product is mounted and installed correctly to avoid equipment damage or property loss.



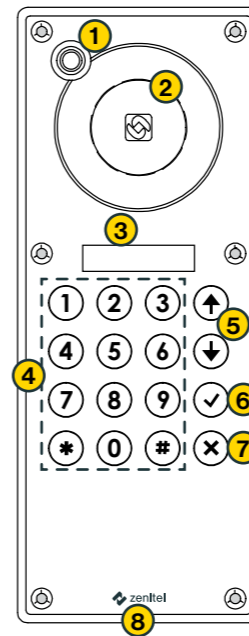
A note symbol indicates that extra care must be taken. Damage to equipment can occur, or it may not function as intended. Please read all warnings before installing this product.

The station should be installed by a competent person in accordance with national and local regulations. Zenitel takes no responsibility for damages caused by improper or inadequate installation.

Description

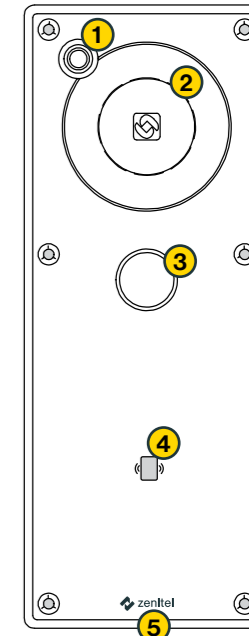
TEIV-1+

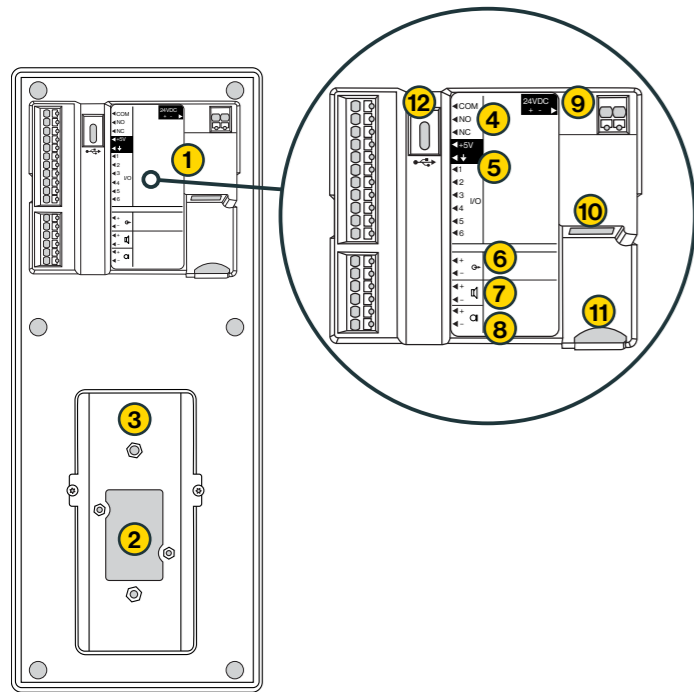
Item	Description
1	Camera
2	Speaker
3	LCD
4	Standard Keypad
5	Navigation Keys
6	Confirmation/Call Key
7	Cancel Key
8	Microphone



TEIV-4+

Item	Description
1	Camera
2	Speaker
3	Call Key
4	Card Reader
5	Microphone





Item	Description	Comment
1	CPU Module	
2	Card Reader Space	Only in use for TEIV-4+
3	Card Reader Bracket	
4	Relay	Double Throw relay contact with 60W switching power. COM, NO, NC contacts are provided. Max: 250VAC/220VDC, 2A, 60W.
5	I/O interface	6 general purpose I/Os. Each I/O can be configured as either input, output, or LED driver.
6	Line Output	A balanced 600 ohm audio line out with induction loop signal.
7	Speaker Input	Connect an external speaker rated for 8 Ohm
8	Microphone input	Electret mic input
9	Power Input	Optional 24VDC power input from external power supply
10	LAN Port	10/100/1000Mbps RJ-45 port connecting to Ethernet. PoE/PoE+ is supported.
11	SD-card Slot	
12	USB-C Port	Used during production process and for recovery

Installation

TEIV-1+/TEIV-4+ can be powered by PoE. This is done by connecting an Ethernet cable to the **LAN port** of the station and a PoE switch.

- !** NB! If PoE is used, the station must be installed using a shielded Ethernet cable with grounding at the switch end.
- !** The included Snap On Ferrite (EMKOB99123.0100) must be attached to the Ethernet cable near the LAN port inside the backbox.

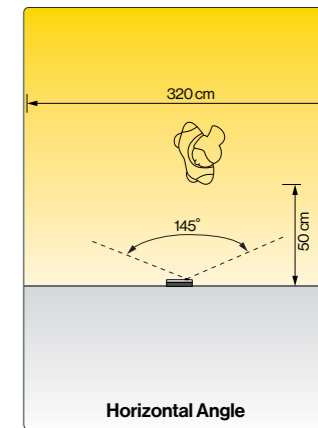
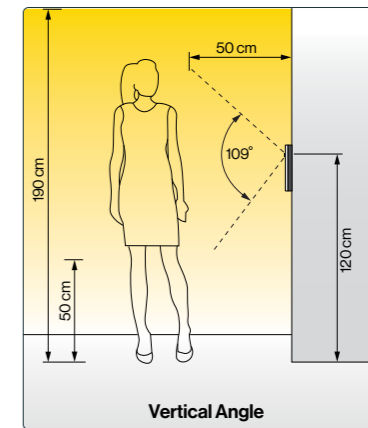
If the switch does not support PoE, a 24VDC power supply can be connected to the stations **Power Input**.

Mounting

Mounting considerations

- !** Ensure there is enough clearance under the station so that the microphone aperture is **NOT** smothered.
- !** To achieve an optimal field of view, the station should be mounted so that the lens is placed at a height of approx. 120 cm.

The field of view is configurable up to 180 degrees both horizontally and vertically.

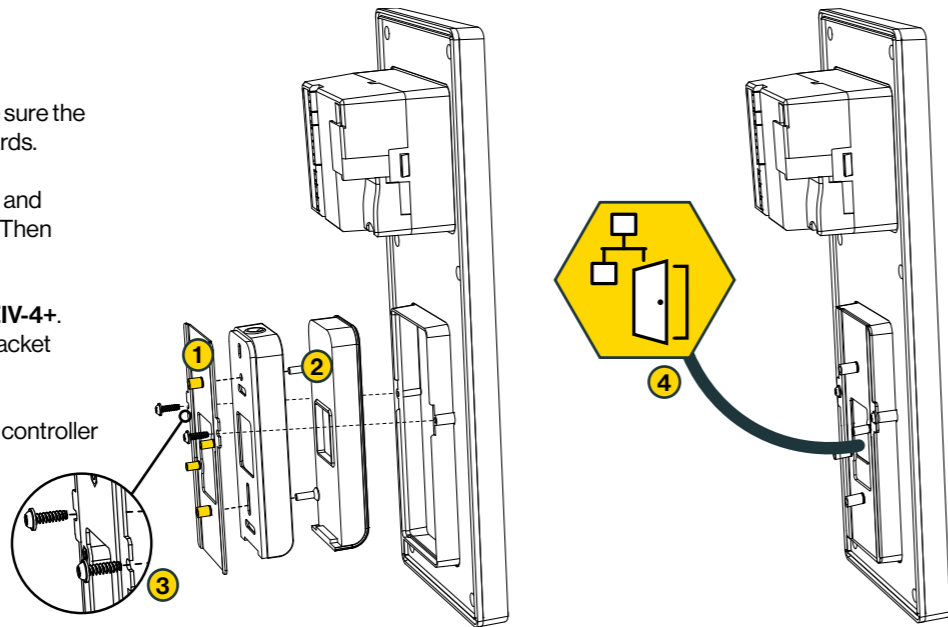


Mounting card readers

The **TEIV-4+** has a card reader slot, fitting either **HID Signo 20 Reader Terminal Strip** or **TWN4 Palon Compact LEGIC PCB**. Do the following when mounting the card readers.

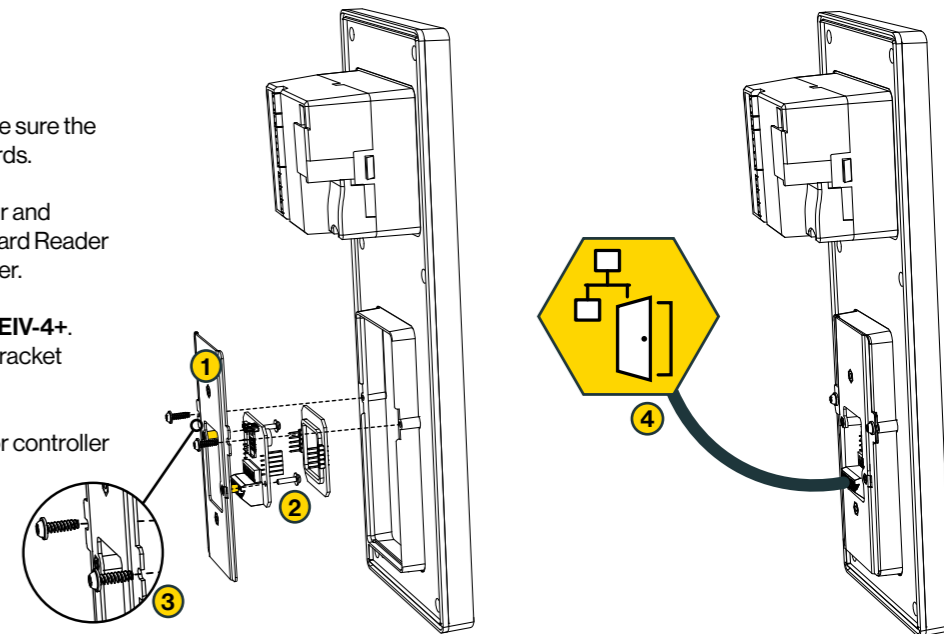
HID Signo 20 Reader Terminal Strip

- 1 Unscrew the **Card Reader Bracket**. Make sure the Self-Clinching Standoffs are facing outwards.
- 2 Remove the back lid from the card reader, and fasten the lid to the Card Reader Bracket. Then reattach the card reader to the lid.
- 3 Fasten the Card Reader bracket to the **TEIV-4+**. Make sure to use the U-notches on the bracket when fastening.
- 4 Connect the card reader to the local door controller as part of the access system.



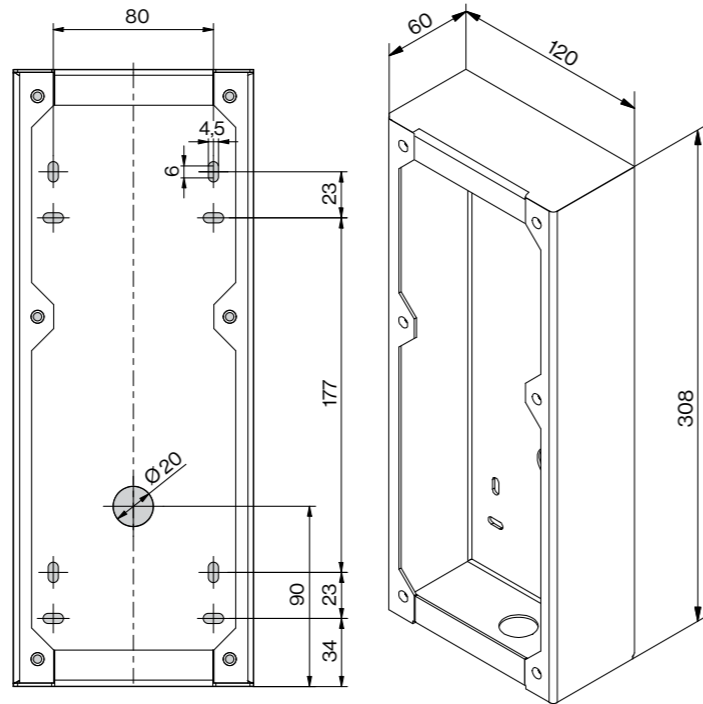
TWN4 Palon Compact LEGIC PCB

- 1 Unscrew the **Card Reader Bracket**. Make sure the Self-Clinching Standoffs are facing inwards.
- 2 Separate the two parts of the card reader and attach the part with screw holes to the Card Reader Bracket. Then reassemble the card reader.
- 3 Fasten the Card Reader bracket to the **TEIV-4+**. Make sure to use the U-notches on the bracket when fastening.
- 4 Connect the card reader to the local door controller as part of the access system.

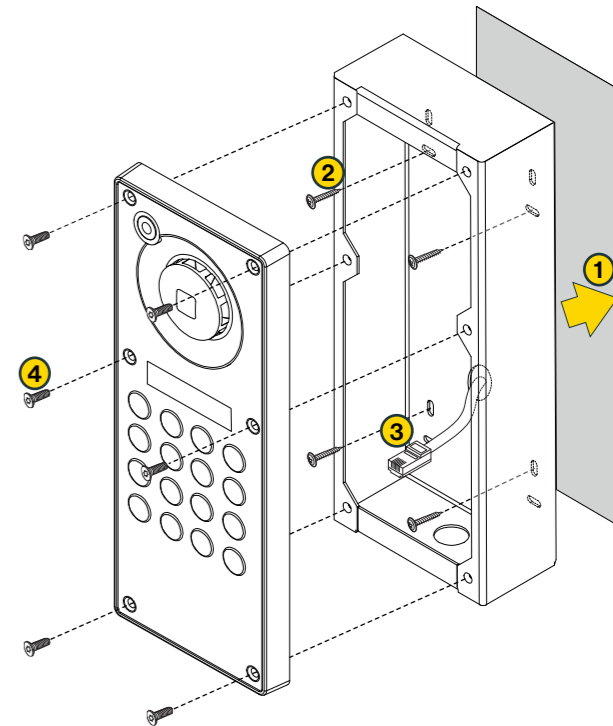


Flush mounting

For flush mounting the Turbine Extended, use the **TA-34** Turbine Extended Flushmount Backbox.



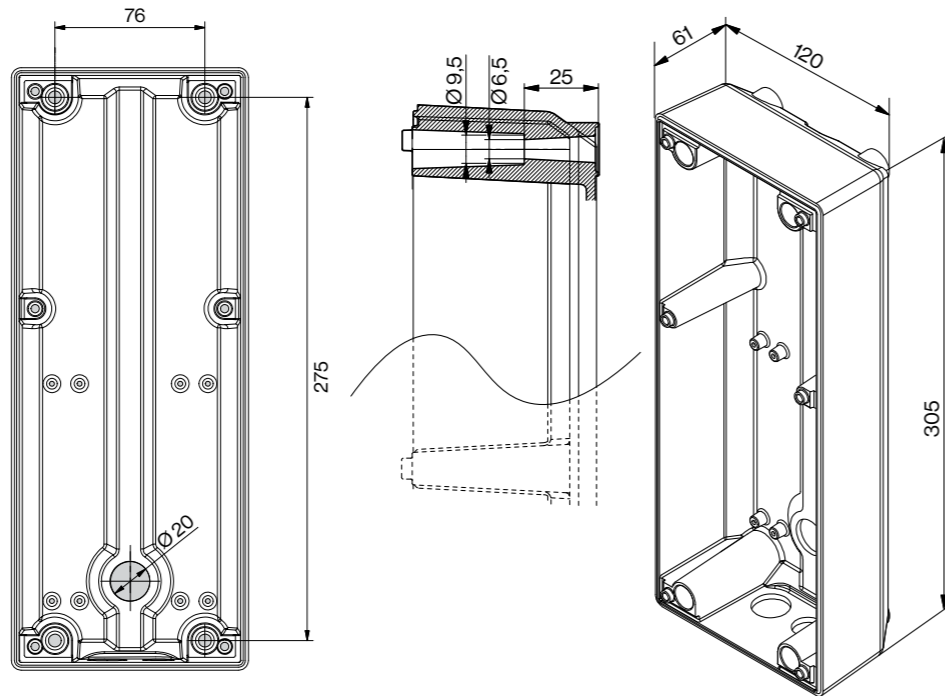
- 1 Insert the **TA-34** Backbox into designated slot in the wall.
- 2 Fasten the back box to the wall.
- 3 Plug the Ethernet cable into **LAN port** on the station. If the switch does not support PoE, a **24VDC Power Supply** can be connected to the stations **Power Input**.
- 4 Mount the **Turbine Extended Station** onto the Backbox with the M5 fasteners provided. Apply 1.5 Nm torque.



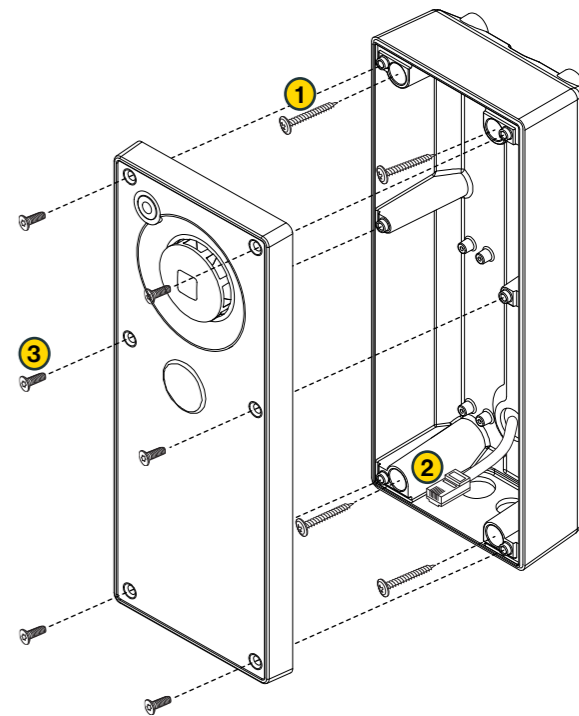
On-wall mounting

For mounting the Turbine Extenden on the wall, use the **TA-33** Turbine Extended On-wall Backbox.

- Mounting holes are to be drilled as shown in the figure.
- Max. recommended screw diameter: ISO M6 or ANSI 1/4".
- Screw length must be greater than 25 mm or 1".
- A4 stainless steel socket head screws/bolts are recommended. Max. screw head diameter: 9.5 mm or 3/8".



- 1 Mount the **TA-33** Backbox onto the wall using A4 socket head screws
 - 2 Plug the Ethernet cable into **LAN port** on the station. If the switch does not support PoE, a **24VDC Power Supply** can be connected to the stations **Power Input**.
 - 3 Mount the Turbine station onto the back box with the M5 fasteners provided. Apply 5 Nm torque.
- !** To ensure the IP-66 rating, use the grommets and M20 cable gland provided for the cable holes on the back box.



Get started

When the Turbine Extended Station is connected to the network, its IP address is automatically obtained from a DHCP server or an IP address in the range 169.254.xx will be assigned.

To make the station speak its IP address, press the **Call Key** on the station.

The Turbine Extended can operate in two different modes, Edge and SIP, depending on what kind of server it is registered to. Enter the link or scan the QR-code below to go to Zenitel Wiki for configuration instructions.

Zenitel Wiki: wiki.zenitel.com/wiki/Main_Page.



Contact Information

Visit zenitel.com to find your country's contact information.



Specifications

Technical specifications	Value
Weight	TEIV-1+: 1.08kg TEIV-4+: 1.05kg
Dimensions (HxWxD)	305 x 120 x 72,5mm
Card Reader Space	TEIV-4+: 123 x 48 x 23 mm
IP Rating	IP 66
IK Rating	IK08
Relative humidity	< 95% not condensing
Operating temperature range	-40° to 70° C / -40° to 158 ° F
Encapsulation material	Aluminium
Power Options	PoE, PoE+, 24VDC PSU
PoE (power over Ethernet)	IEEE 802.3af standard, IEEE 802.3at
Power consumption	Idle 3.5W, max 12W (depending on volume)



Zentel hereby declares that this product is in compliance with the essential requirements and other relevant provisions of Directive 2014/53/EU and all other applicable EU directive requirements. The complete declaration can be found at www.zenitel.com



The WEEE Directive does not legislate that Zenitel, as a 'producer', shall collect 'end of life' WEEE.

This 'end of life' WEEE should be recycled appropriately by the owner who should use proper treatment and recycling measures. It should not be disposed to landfill.



Many electrical items that we throw away can be repaired or recycled. Recycling items helps to save our natural finite resources and also reduces the environmental and health risks associated with sending electrical goods to landfill.

Under the WEEE Regulations, all new electrical goods should now be marked with the crossed-out wheeled bin symbol shown.

Goods are marked with this symbol to show that they were produced after 13th August 2005, and should be disposed of separately from normal household waste so that they can be recycled.



Hear, be heard, and be understood
– every time and everywhere

DOC. NO.

A100K12201v1.6

sales@zenitel.com



Zenitel and its subsidiaries assume no responsibility for any errors that may appear in this publication, or for damages arising from the information therein. Zenitel reserves the right to modify designs and alter specifications without notice. ZENITEL PROPRIETARY. This document and its supplementing elements contain Zenitel or third-party information which is proprietary. Any copying is prohibited, if not otherwise explicitly agreed in writing with Zenitel. Any authorized reproduction, in part or in whole, must include this legend. Zenitel – All rights reserved.