

CALLING SYSTEM type ITCS and ITCS-A

DOCUMENTATION

Calling system, v.22032012 rev.3

INELTEH d.o.o.

Ljubljanska cesta 7, HR - 51000 Rijeka, Croatia

Tel. +385 51 274 536, Fax. +385 51 712 122, E-mail: inelteh@inelteh.hr

Web: www.inelteh.hr

CALLING SYSTEM

1. CALLING SYSTEM ITCS, ITCS-A	
Description, block diagrams, principle of operation, configurations	1
2. CONTROL UNITS	
Control unit ITCS-1, ITCS-2.....	9
Control unit ITCS-1A, ITCS-2A	11
Control unit ITCS-1A-5/10/15.....	13
3. REPEATER UNITS	
Repeater unit ITCS-R.....	16
Repeater unit ITCS-R1	17
Repeater unit ITCS-R1-D.....	18
Repeater unit ITCS-R2	19
Repeater unit ITCS-R2-D.....	20
Repeater unit ITCS-1A-5/10/15-R.....	21
4. CALLING UNITS	
Calling unit ITCS-C1.....	24
Calling unit ITCS-C2.....	25
Calling unit ITCS-C3.....	26
Calling unit ITCS-C8.....	27
5. CALLING AND RESET UNITS	
Calling and reset unit ITCS-C4	29
Calling and reset unit ITCS-C5	30
Calling and reset unit ITCS-C6	31
Calling and reset unit ITCS-C7	32
6. RESET UNIT	
Reset unit ITCS-RS	33
7. SIGNALLING UNIT	
Signalling unit ITCS-S.....	34
Signalling unit ITCS-S, IP56.....	35
8. BOX FOR BULKHEAD MOUNTING	
Box for bulkhead mounting, outlines.....	36
9. EXAMPLES OF CONNECTION DIAGRAMS	
Example 1 – Calling system ITCS, call from hospital and refrigerating room.....	37
Example 2 – Calling system ITCS-A, call from refrigerating room (common ind.).....	38
Example 3 – Calling system ITCS-A, call from refrigerating room (separate ind.).....	39
Example 4 – Calling system ITCS-A, call from cabins for disabled persons	40
Example 5 – Calling system ITCS-A, call from sauna.....	41
10. SPARE PARTS	

DESCRIPTION

Calling system is designed for using on all type of vessels, mostly for calling from hospital and/or refrigerating room, but it can be used for any type of call.

There are two types of calling systems: **ITCS** and **ITCS-A**. Main difference between them is in alarm acceptance.

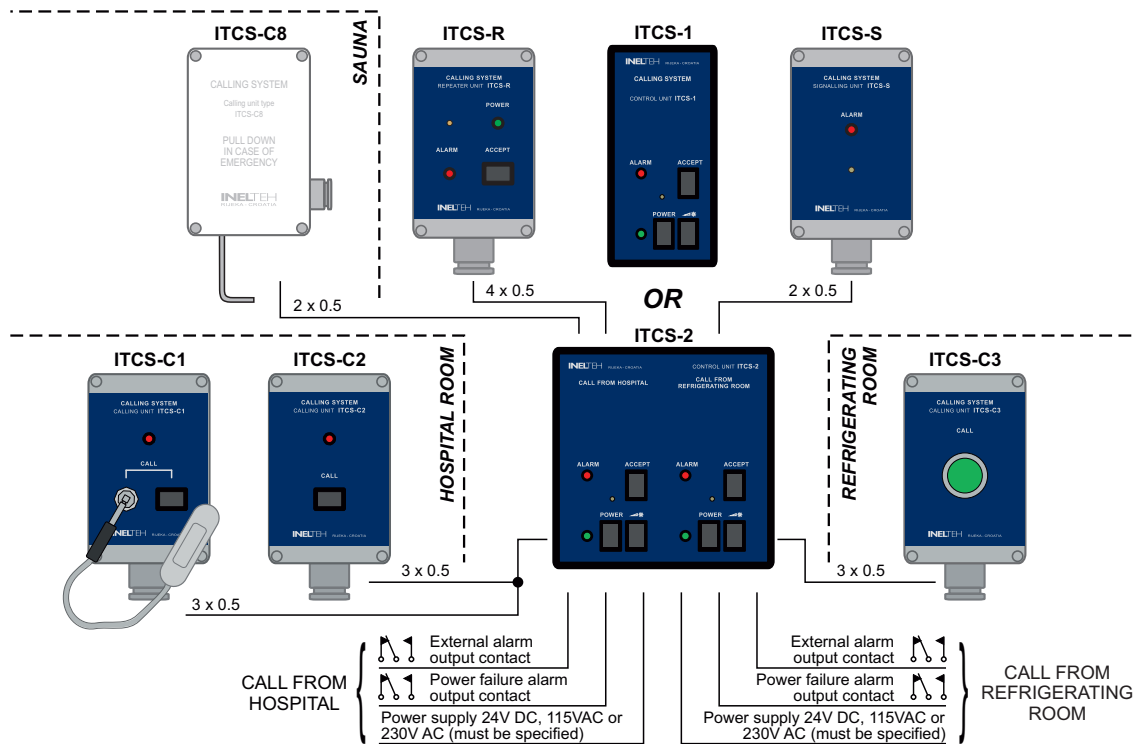
In **ITCS** system "**ACCEPT**" push button (on control or repeater unit) also resets call. That means all audio and visual signalization goes off and system is ready to proceed new call.

In **ITCS-A** system, call accept and call reset are separated - with "**ACCEPT**" push button, audio signalization goes off, but visual signalization remains, until "**RESET**" push button (situated at the call location) is pressed. That feature ensures that alarm will be present and visible until someone checks why and from where the call was done.

Depending on which control unit is used, **ITCS-A** system can be configured with common call indication or with separate indication of each call location in the system.

CALLING SYSTEM type ITCS

Block diagram



Components

CONTROL UNITS:

- ITCS-1 - single call, call indication and acceptance
- ITCS-2 - double call, call indication and acceptance

REPEATER UNITS:

- ITCS-R - call indication and acceptance (used with ITCS-1 or ITCS-2)

CALLING UNITS:

- ITCS-C1 - with push button on cable, near bed
- ITCS-C2 - standard calling unit
- ITCS-C3 - illuminated push-button for calling, IP56, for refrigerating room
- ITCS-C8 - high temperature resistant, for sauna

SIGNALLING UNIT:

- ITCS-S - call indication

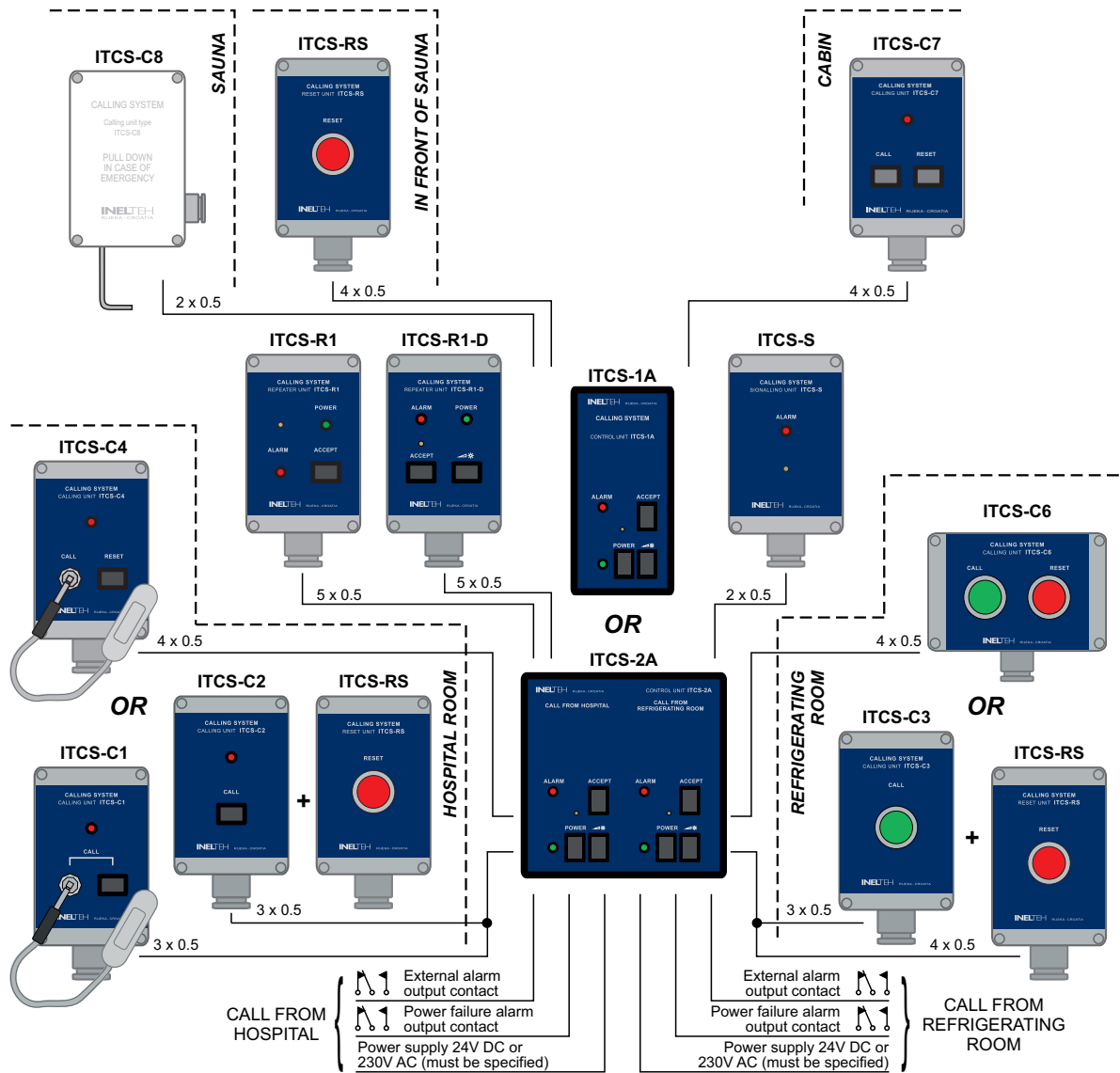
*** For detailed description, see separate leaflets.

Principle of operation

By operating "POWER" switch on the control unit, system's power supply is turned on. By pressing push button "CALL" situated on the one of calling units, call starts. Audio and visual alarm is on. By pressing the "ACCEPT" button on the control or repeater unit call is accepted and reset. Audio and visual signalization is switched off and system is ready to proceed new call.

CALLING SYSTEM type ITCS-A

Block diagram (common call indication)



Components

CONTROL UNITS:

- ITCS-1A - single call, common call indication and acceptance
- ITCS-2A - double call, common call indication and acceptance

REPEATER UNITS:

- ITCS-R1 - call indication and acceptance (used with ITCS-1A or ITCS-2A)
- ITCS-R1-D - call indication and acceptance, with dimmer
(used with ITCS-1A or ITCS-2A)

CALLING UNITS:

- ITCS-C1 - with push button on cable, near bed
- ITCS-C2 - standard calling unit
- ITCS-C3 - illuminated push-button for calling, IP56, for refrigerating room
- ITCS-C8 - high temperature resistant, for sauna

CALLING AND RESET UNITS:

- ITCS-C4 - with push button on cable, near bed
- ITCS-C5 - with pulling line-rope, for toilet
- ITCS-C6 - with illuminated push-button for calling, IP56, for refrigerating room
- ITCS-C7 - standard calling and reset unit
- ITCS-C8 - high temperature resistant, for sauna

RESET UNIT:

- ITCS-RS - call indication and reset, IP56

SIGNALLING UNIT:

- ITCS-S - call indication

*** For detailed description, see separate leaflets.

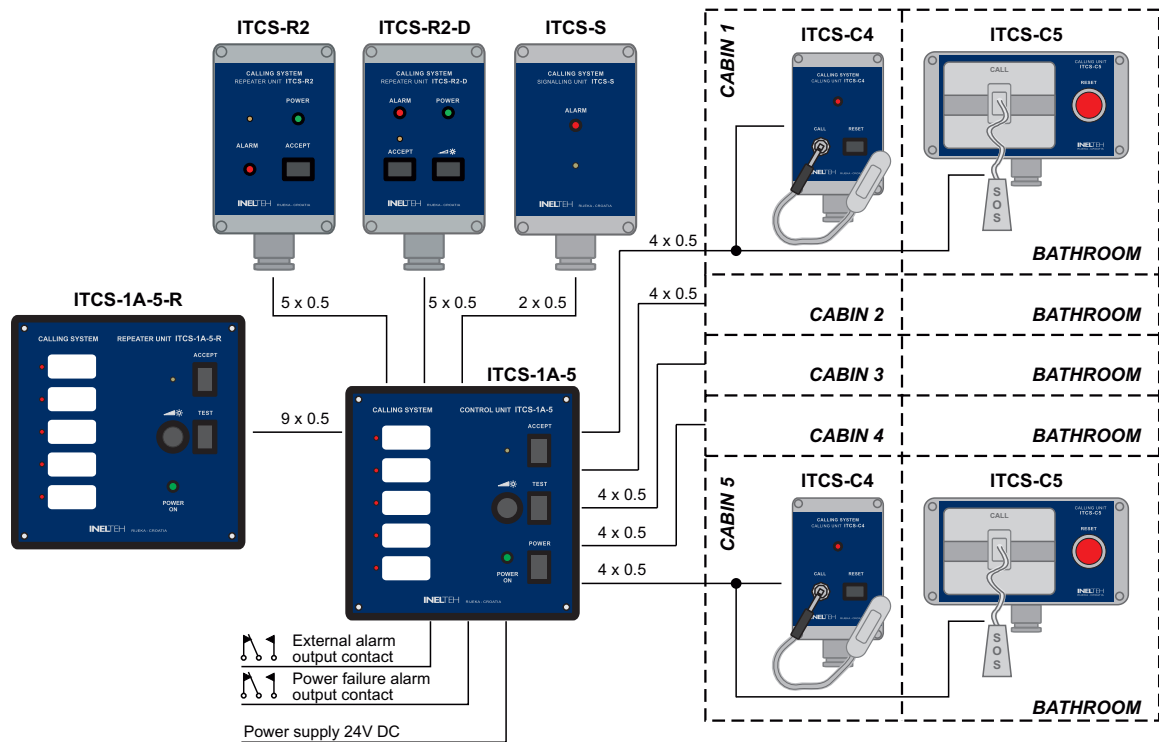
Principle of operation

By operating "POWER" switch on the control unit, system's power supply is turned on. By pressing push button "CALL" situated at the one of calling units (or calling and reset units), call starts. Audio and visual alarm is on. By pressing the "ACCEPT" button on the control unit or repeater unit, call is accepted. Audio alarm goes off, but visual signalization remains until the call is reset by push button "RESET", situated at the call location. This feature ensures that alarm will be present and visible until someone checks why and from where the call is done.

Calling system type ITCS-A has a possibility of separate call indication (each call location / own indication LED). In that case, different types of control unit and repeater unit are used. Other parts of the system are the same.

CALLING SYSTEM type ITCS-A

Block diagram (separate call indication)



Components

CONTROL UNITS:

- ITCS-1A-5 - up to 5 call locations, separate call indication and acceptance
- ITCS-1A-10 - up to 10 call locations, separate call indication and acceptance
- ITCS-1A-15 - up to 15 call locations, separate call indication and acceptance

REPEATER UNITS:

- ITCS-R2 - common call indication and call acceptance, used with ITCS-1A-5/10/15
- ITCS-R2-D - common call indication and call acceptance, with dimmer (used with ITCS-1A-5/10/15)
- ITCS-1A-5-R - up to 5 call locations, separate indication and call acceptance (used with ITCS-1A-5)
- ITCS-1A-10-R - up to 10 call locations, separate indication and call acceptance (used with ITCS-1A-10)
- ITCS-1A-15-R - up to 15 call locations, separate indication and call acceptance (used with ITCS-1A-15)

*** For detailed description, see separate leaflets.

POSSIBLE CONFIGURATIONS

Calling system type ITCS
Calling system type ITCS-A

	Control units ITCS-1 ITCS-2	Control units ITCS-1A ITCS-2A	Control unit ITCS-1A-5	Control unit ITCS-1A-10	Control unit ITCS-1A-15
Repeater unit ITCS-R	+				
Repeater unit ITCS-R1		+			
Repeater unit ITCS-R1-D		+			
Repeater unit ITCS-R2			+	+	+
Repeater unit ITCS-R2-D			+	+	+
Repeater unit ITCS-1A-5-R			+		
Repeater unit ITCS-1A-10-R				+	
Repeater unit ITCS-1A-15-R					+
Calling unit ITCS-C1	+	+	+	+	+
Calling unit ITCS-C2	+	+	+	+	+
Calling unit ITCS-C3	+	+	+	+	+
Calling unit ITCS-C8	+	+	+	+	+
Calling and reset unit ITCS-C4		+	+	+	+
Calling and reset unit ITCS-C5		+	+	+	+
Calling and reset unit ITCS-C6		+	+	+	+
Calling and reset unit ITCS-C7		+	+	+	+
Reset unit ITCS-RS		+	+	+	+
Signalling unit ITCS-S	+	+	+	+	+

ORDERING CODES

Control units

02-06-001	Control unit type ITCS-1, for single call indication, 24VDC, flush mounting
02-06-002	Control unit type ITCS-1, for single call indication, 230VAC, flush mounting
02-06-003	Control unit type ITCS-1, for single call indication, 115VAC, flush mounting

02-06-004	Control unit type ITCS-2, for double call indication, 24VDC, flush mounting
02-06-005	Control unit type ITCS-2, for double call indication, 230VAC, flush mounting
02-06-006	Control unit type ITCS-2, for double call indication, 115VAC, flush mounting

02-06-012	Control unit type ITCS-1A, for single common call indication, 24VDC, flush mounting
02-06-013	Control unit type ITCS-1A, for single common call indication, 230VAC, flush mounting
02-06-014	Control unit type ITCS-1A, for single common call indication, 115VAC, flush mounting

02-06-015	Control unit type ITCS-2A, for double common call indication, 24VDC, flush mounting
02-06-016	Control unit type ITCS-2A, for double common call indication, 230VAC, flush mounting
02-06-017	Control unit type ITCS-2A, for double common call indication, 115VAC, flush mounting

02-06-021	Control unit type ITCS-1A-5, with separate call ind., up to 5 call., 24VDC, flush mounting
02-06-022	Control unit type ITCS-1A-10, with separate call ind., up to 10 call., 24VDC, flush mounting
02-06-023	Control unit type ITCS-1A-10, with separate call ind., up to 15 call., 24VDC, flush mounting

***NOTE 1:** Control units ITCS-1A-5/10/15 are not available in version for 230VAC or 115V AC.
Additional rectifier unit has to be ordered separately.

Repeater units

02-06-007	Repeater type ITCS-R, used with ITCS-1 or ITCS-2, bulkhead mounting
02-06-039	Repeater type ITCS-R, used with ITCS-1 or ITCS-2, flush mounting

02-06-018	Repeater type ITCS-R1, used with ITCS-1A or ITCS-2A, bulkhead mounting
02-06-041	Repeater type ITCS-R1, used with ITCS-1A or ITCS-2A, flush mounting
02-06-026	Repeater type ITCS-R1-D, used with ITCS-1A or ITCS-2A, with dimmer, bulkhead mounting
02-06-042	Repeater type ITCS-R1-D, used with ITCS-1A or ITCS-2A, with dimmer, flush mounting

02-06-027	Repeater type ITCS-R2, used with ITCS-1A-5/10/15, bulkhead mounting
02-06-043	Repeater type ITCS-R2, used with ITCS-1A-5/10/15, flush mounting
02-06-028	Repeater type ITCS-R2-D, used with ITCS-1A-5/10/15, with dimmer, bulkhead mounting
02-06-044	Repeater type ITCS-R2-D, used with ITCS-1A-5/10/15, with dimmer, flush mounting
02-06-029	Repeater type ITCS-1A-5-R, used with ITCS-1A-5, flush mounting
02-06-030	Repeater type ITCS-1A-10-R, used with ITCS-1A-10, flush mounting
02-06-031	Repeater type ITCS-1A-15-R, used with ITCS-1A-15, flush mounting

Calling units

02-06-008	Calling unit type ITCS-C1, with push button on cable, bulkhead mounting
02-06-036	Calling unit type ITCS-C1, with push button on cable, flush mounting
02-06-009	Calling unit type ITCS-C2, bulkhead mounting
02-06-037	Calling unit type ITCS-C2, flush mounting
02-06-010	Calling unit type ITCS-C3, with illuminated push button, bulkhead mounting, IP56
02-06-047	Calling unit type ITCS-C8, for call from sauna, bulkhead mounting
02-06-051	Calling unit type ITCS-C8, for call from sauna, with wooden handle, bulkhead mounting

Calling and reset units

02-06-019	Calling and reset unit type ITCS-C4, bulkhead mounting
02-06-040	Calling and reset unit type ITCS-C4, flush mounting
02-06-024	Calling and reset unit type ITCS-C5, bulkhead mounting
02-06-025	Calling and reset unit type ITCS-C6, bulkhead mounting
02-06-046	Calling and reset unit type ITCS-C7, bulkhead mounting

Reset unit

02-06-020	Reset unit type ITCS-RS, bulkhead mounting, IP56
-----------	--

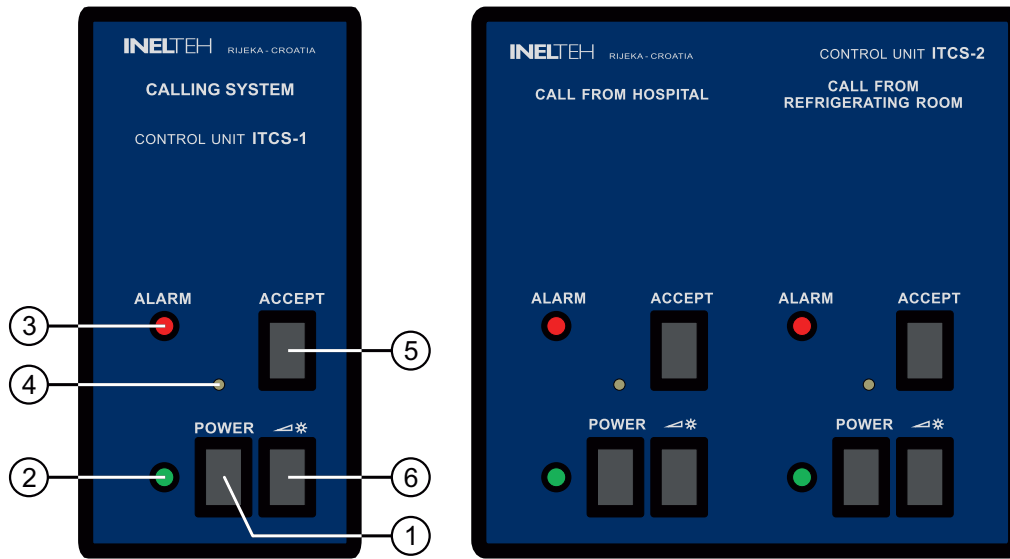
Signaling unit

02-06-011	Signaling unit ITCS-S, bulkhead mounting
02-06-038	Signaling unit ITCS-S, flush mounting
02-06-055	Signaling unit ITCS-S, bulkhead mounting, IP56

Boxes for bulkhead mounting (for control units)

05-04-002	Box for bulkhead mounting, 300x300x120
05-04-003	Box for bulkhead mounting, 200x200x120

FRONT VIEW:



- ① SWITCH "POWER" - For turning system ON/OFF
- ② LED "POWER ON" - Lights when system is ON
- ③ LED "ALARM" - For visual signalization of call
- ④ BUZZER - For audio signalization of call
- ⑤ PUSH BUTTON "ACCEPT" - For accepting and reseting the call
- ⑥ DIMMER - For reducing green LED intensity

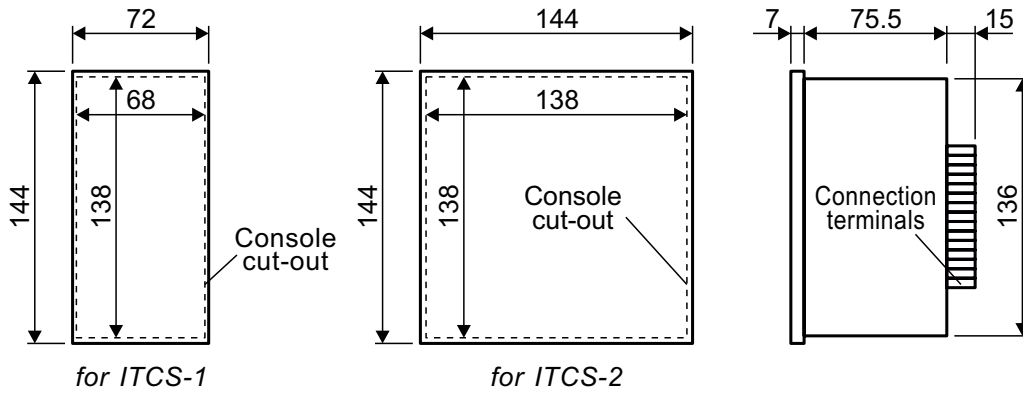
DESCRIPTION:

ITCS-1 is control unit for indication and acceptance of call. By pressing "POWER" switch (1), system is on. Green LE diode (2) lights. The intensity of green LE diode (2) can be reduced, by "DIMMER" switch (6). Red "ALARM" LE diode (3) and buzzer (4) indicate call. "ALARM" LE diode (3) lights with full intensity even the "DIMMER" switch (6) is pressed. Acceptance and reset of call is done by "ACCEPT" push button (5). Audio and visual signalization is switched off and system is ready to proceed new call.

Control unit **ITCS-2** has same functions as ITCS-1, but doubled and electrically separated. It can be used for call from hospital and refrigerating room in one box.

Rev	Changes	Date/Sign	Based by-Project	Date	Sign	Title:		
1						CALLING SYSTEM Control unit ITCS-1 and ITCS-2, description		
2			Prepared	10.02.11.	Milinović			
3			Drawn	17.06.21.	Bettle			
4			Approved					
5								
This drawing is the property of INELTEH d.o.o. and must not be reproduced, copied or distributed, entirely or in part, without written permission of INELTEH d.o.o.			INELTEH RIJEKA - CROATIA		Identity:	02-06-001/002/003/004/005/006	Ref.:	Rev. 0
						File:	ITCS-1,2.cdr	Page/of 9

OUTLINES - flush mounting:



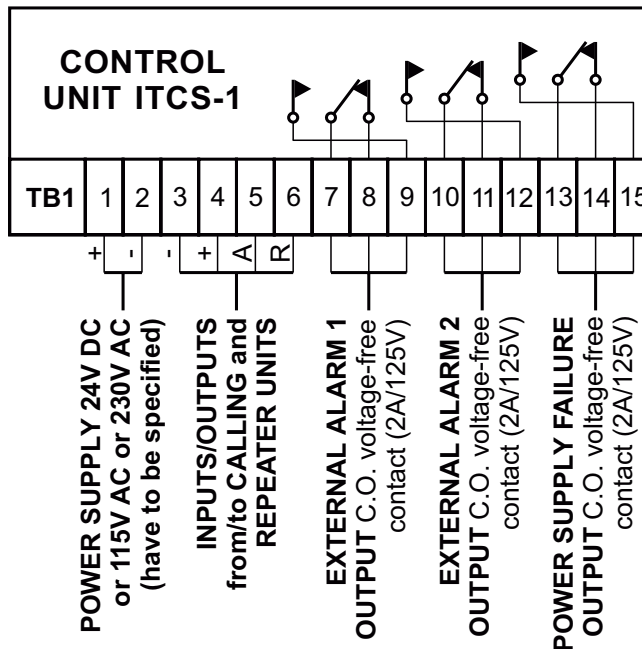
WEIGHT TABLE	
ITCS-1, 24V DC, flush	0,35kg
ITCS-1, 115V AC or 230V AC, flush	0,94kg
ITCS-2, 24V DC, flush	0,64kg
ITCS-2, 115V AC or 230V AC, flush	1,86kg

OUTLINES - bulkhead mounting:

For bulkhead mounting, standard steel box 200x200x120 (code 05-04-003) or 300x300x120 (code 05-04-002) is used. Check separate leaflet for details.

	SIZE	CODE	CABLE GLANDS	WEIGHT
ITCS-1, 24V DC, bulkhead	200x200x120	05-04-003	3xPG13.5	2,7kg
ITCS-1, 115V AC or 230V AC, bulkhead	200x200x120		3xPG13.5	3,2kg
ITCS-2, 24V DC, bulkhead	300x300x120	05-04-002	6xPG13.5	4,7kg
ITCS-2, 115V AC or 230V AC, bulkhead	300x300x120		6xPG13.5	5,9kg

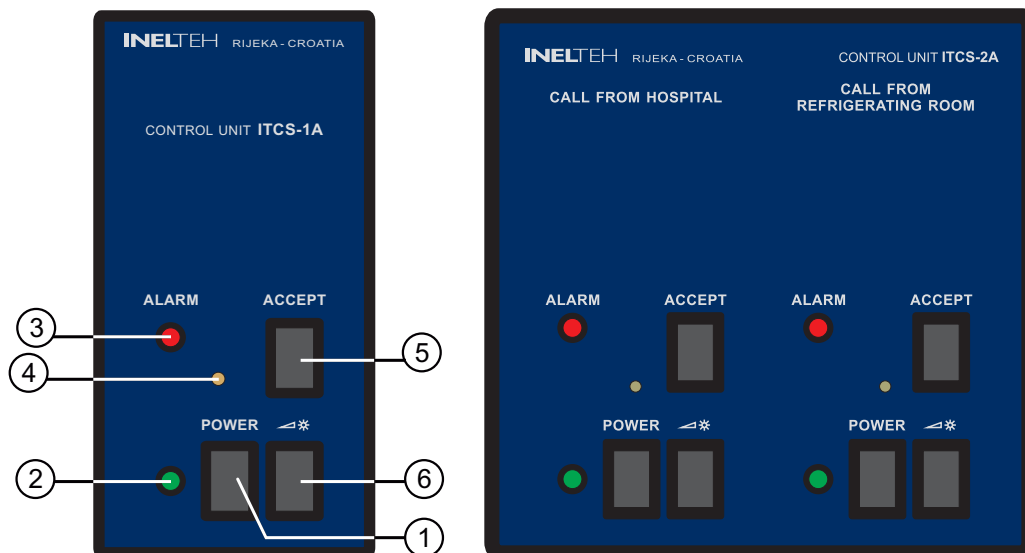
TERMINALS:



NOTE:
For ITCS-2 control unit, terminal block TB1 is doubled.

Rev	Changes	Date/Sign	Based by-Project	Date	Sign	Title:		
1			Prepared	15.02.11.	Milinović	CALLING SYSTEM Control unit ITCS-1 and ITCS-2, outlines and terminals		
2			Drawn	17.06.21.	Bettle			
3			Approved					
4								
5								
This drawing is the property of INELTEH d.o.o. and must not be reproduced, copied or distributed, entirely or in part, without written permission of INELTEH d.o.o.			INELTEH RIJEKA - CROATIA		Identity: 02-06-001/002/003/004/005/006	Ref.:	Rev. 0	
						File: ITCS-1,2 outlines-terminals.cdr	Page/of 10	

FRONT VIEW:



- ① SWITCH "POWER" - For turning system ON/OFF
- ② LED "POWER ON" - Lights when system is ON
- ③ LED "ALARM" - For visual signalization of call
- ④ BUZZER - For audio signalization of call
- ⑤ PUSH BUTTON "ACCEPT" - For accepting the call and resetting audio signalization
- ⑥ DIMMER - For reducing green LED intensity

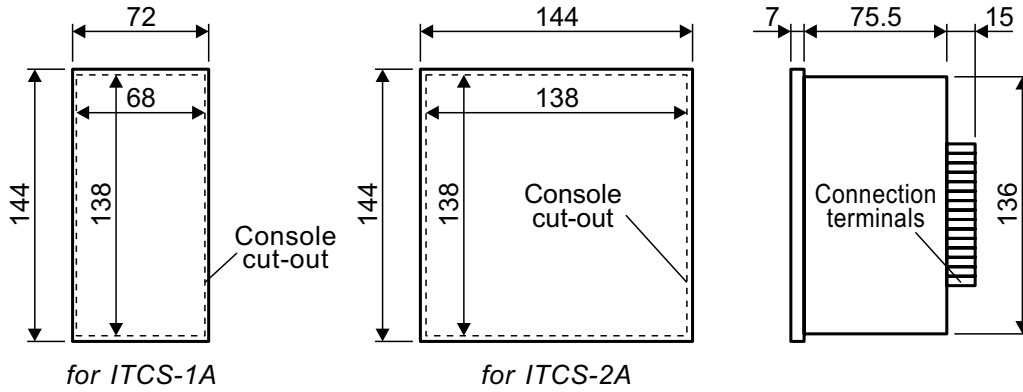
DESCRIPTION:

ITCS-1A is control unit for indication and acceptance of call. By pressing "POWER" switch (1), system is on. Green LE diode (2) lights. The intensity of green LE diode (2) can be reduced, by "DIMMER" switch (6). Red "ALARM" LE diode (3) and buzzer (4) indicate call. "ALARM" LE diode (3) lights with full intensity even the "DIMMER" switch (6) is pressed. Acceptance of call is done by "ACCEPT" push button (5). Audio alarm goes off, but "ALARM" LE diode (3) is still on, because call can be reset only by "RESET" push button, situated on the place of call.

Control unit **ITCS-2A** has same functions as ITCS-1A, but doubled and electrically separated. It can be used for call from hospital and refrigerating room in one box.

Rev	Changes	Date/Sign	Based by-Project	Date	Sign	Title:		
1						CALLING SYSTEM Control unit ITCS-1A and ITCS-2A, description		
2			Prepared	09.02.11.	Milinović			
3			Drawn	17.06.21.	Bettle			
4			Approved					
5								
This drawing is the property of INELTEH d.o.o. and must not be reproduced, copied or distributed, entirely or in part, without written permission of INELTEH d.o.o.			INELTEH RIJEKA - CROATIA		Identity:	02-06-012/013/014/015/016/017	Ref.:	Rev. 0
						File:	ITCS-1A,2A.cdr	Page/of 11

OUTLINES - flush mounting:



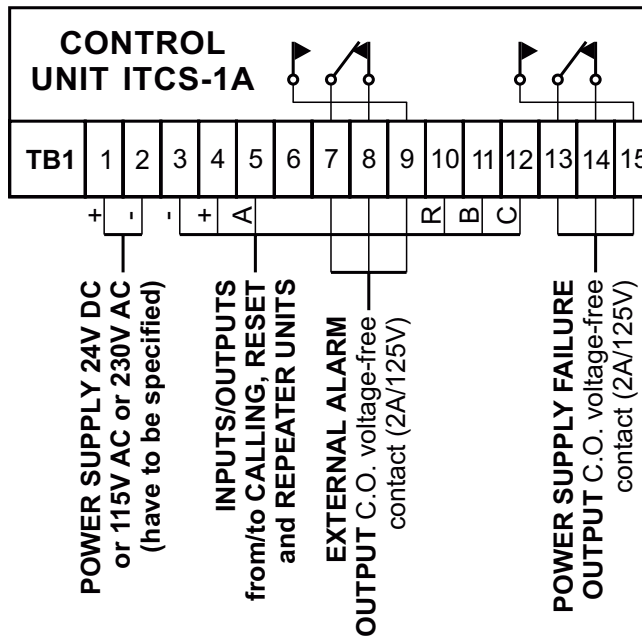
WEIGHT TABLE	
ITCS-1A, 24V DC, flush	0,35kg
ITCS-1A, 115V AC or 230V AC, flush	0,94kg
ITCS-2A, 24V DC, flush	0,64kg
ITCS-2A, 115V AC or 230V AC, flush	1,86kg

OUTLINES - bulkhead mounting:

For bulkhead mounting, standard steel box 200x200x120 (code 05-04-003) or 300x300x120 (code 05-04-002) is used. Check separate leaflet for details.

	SIZE	CODE	CABLE GLANDS	WEIGHT
ITCS-1A, 24V DC, bulkhead	200x200x120	05-04-003	3xPG13.5	2,7kg
ITCS-1A, 115V AC or 230V AC, bulkhead	200x200x120		3xPG13.5	3,2kg
ITCS-2A, 24V DC, bulkhead	300x300x120	05-04-002	6xPG13.5	4,7kg
ITCS-2A, 115V AC or 230V AC, bulkhead	300x300x120		6xPG13.5	5,9kg

TERMINALS:

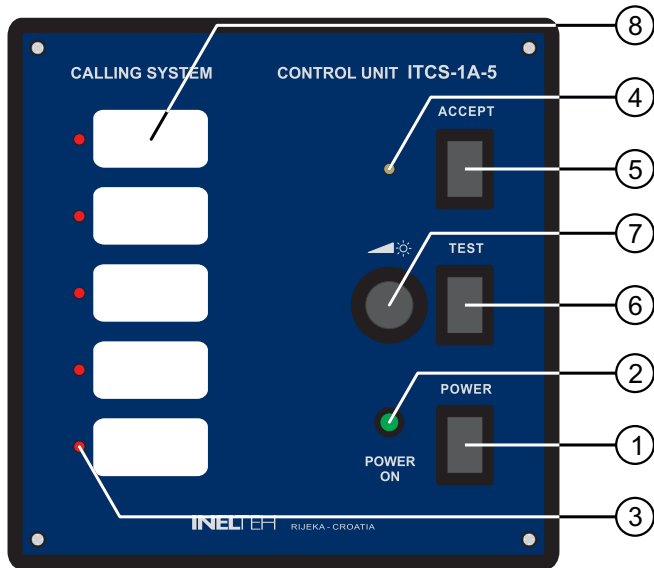


NOTE:

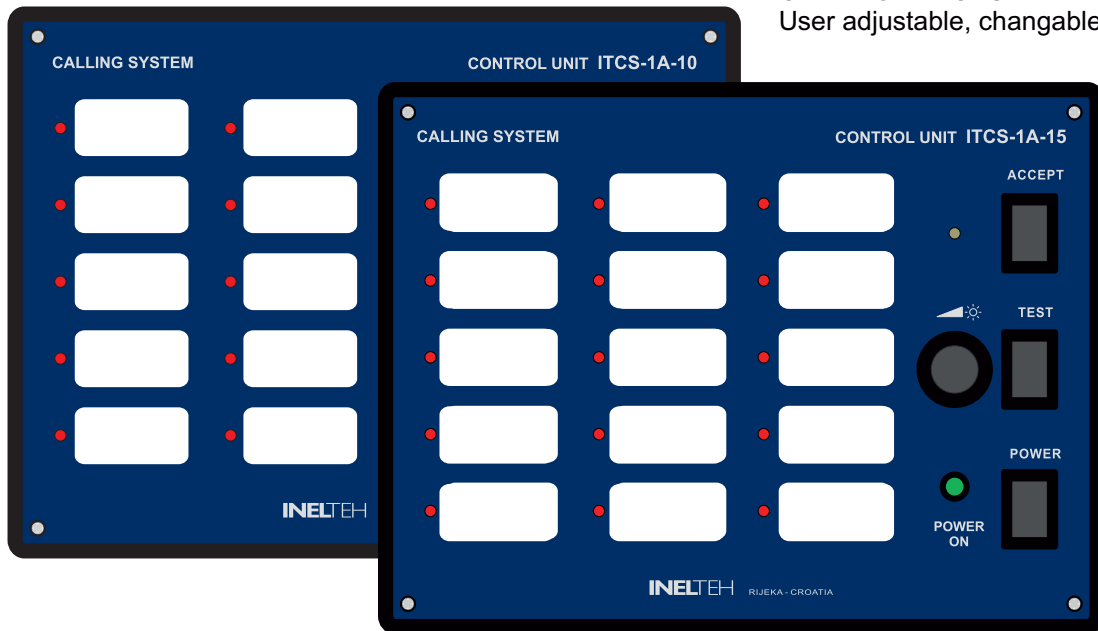
For ITCS-2A control unit, terminal block TB1 is doubled.

Rev	Changes	Date/Sign	Based by-Project	Date	Sign	Title:		
1						CALLING SYSTEM Control unit ITCS-1A and ITCS-2A, outlines and terminals		
2			Prepared	15.02.11.	Milinović			
3			Drawn	17.06.21.	Bettle			
4			Approved					
5								
This drawing is the property of INELTEH d.o.o. and must not be reproduced, copied or distributed, entirely or in part, without written permission of INELTEH d.o.o.			INELTEH RIJEKA - CROATIA		Identity:	02-06-012/013/014/015/016/017	Ref.:	Rev. 0
						File:	ITCS-1A,2A outlines-terminals.cdr	Page/of 12

FRONT VIEW:



- ① SWITCH "POWER" - For turning system ON/OFF
- ② LED "POWER ON" - Lights when system is ON
- ③ ALARM LEDS - For indicating the place of call
- ④ BUZZER - For audio signalization of call
- ⑤ PUSH BUTTON "ACCEPT" - For accepting the call and resetting audio signalization
- ⑥ PUSH BUTTON "TEST" - For leds, buzzer and alarm output testing
- ⑦ DIMMER - For adjusting leds brightness
- ⑧ LABEL WITH THE NAMES OF CALLING PLACES - User adjustable, changable label

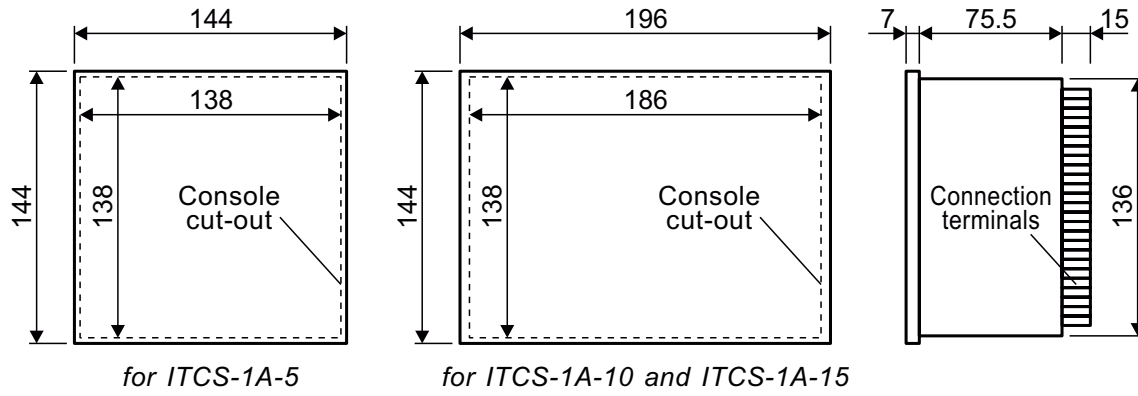


DESCRIPTION:

ITCS-1A-5/10/15 is control unit for indication and acceptance of call from more calling places in the same system. By pressing "POWER" switch (1), system is on. Green "POWER ON" LE diode (2) lights. Red alarm LE diodes (3) and buzzer (4) indicate call from appropriate calling place. Alarm output is activated, too. Acceptance of call is done by "ACCEPT" push button (5). Audio alarm goes off, alarm output is deactivated, but alarm LE diode (3) is still on, because call can be reset only by "RESET" push button, situated on the place of call. The intensity of LE diodes can be reduced by "DIMMER" switch (7). Alarm LE diodes can be dimmed only after alarm is accepted. By "TEST" push button (6) LE diodes, buzzer and alarm output are tested. Control unit **ITCS-1A-5** can indicate call from up to 5, control unit **ITCS-1A-10** from up to 10 and control unit **ITCS-1A-15** from up to 15 calling places.

Rev	Changes	Date/Sign	Based by-Project	Date	Sign	Title: CALLING SYSTEM			
1			Prepared	13.01.10.	Milinović	Control unit ITCS-1A-5/10/15, description			
2			Drawn	17.06.21.	Bettle				
3			Approved						
4									
5						Identity: 02-06-021/022/023	Ref.:	Rev. 0	
This drawing is the property of INELTEH d.o.o. and must not be reproduced, copied or distributed, entirely or in part, without written permission of INELTEH d.o.o.			INELTEH RIJEKA - CROATIA			File: ITCS-1A-5,10,15.cdr		Page/of 13	

OUTLINES - flush mounting:



for ITCS-1A-5

for ITCS-1A-10 and ITCS-1A-15

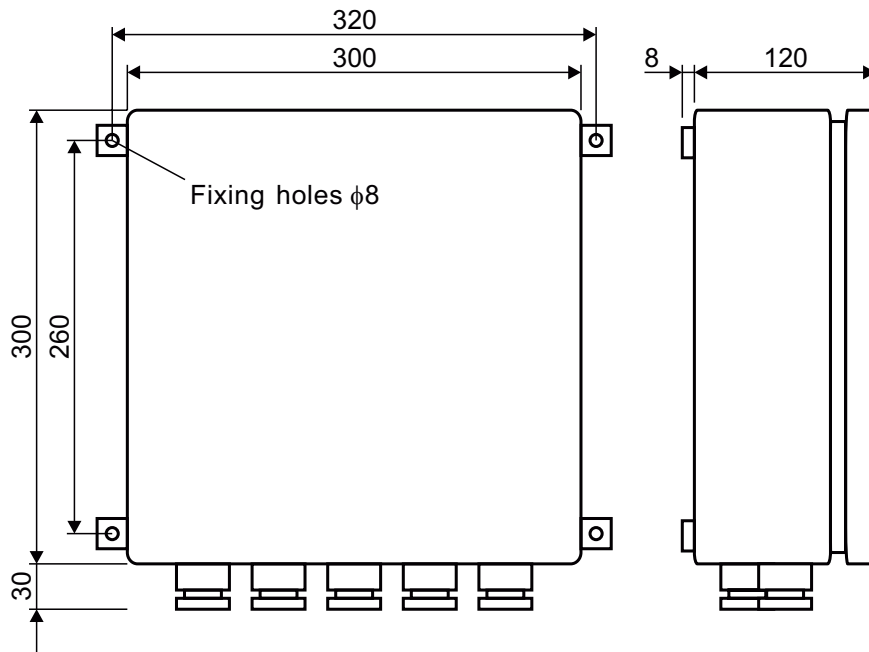
WEIGHT TABLE

ITCS-1A-5, flush	0,69kg
ITCS-1A-10, flush	0,92kg
ITCS-1A-15, flush	1,06kg

OUTLINES - bulkhead mounting:

For bulkhead mounting, standard steel box 300x300x120 (code 05-04-002) is used.

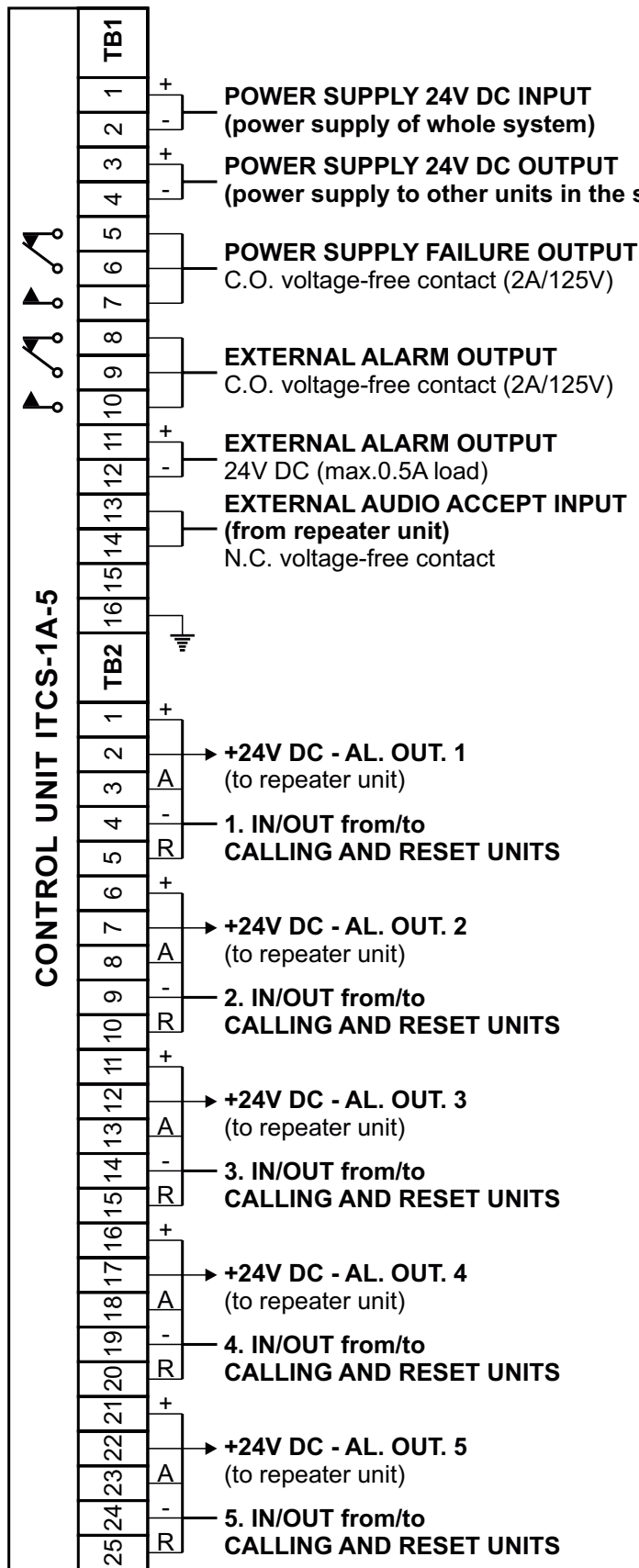
	SIZE	CODE	CABLE GLANDS	WEIGHT
ITCS-1A-5, bulkhead	300x300x120	05-04-002	3xPG13.5 + 1xPG16 + 1xPG29	4,8kg
ITCS-1A-10, bulkhead	300x300x120		3xPG13.5 + 1xPG21 + 2xPG29	5,1kg
ITCS-1A-15, bulkhead	300x300x120		3xPG13.5 + 4xPG29	5,4kg



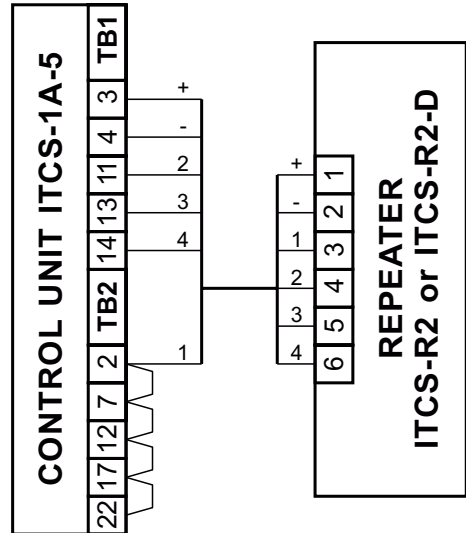
NOTE:

Number and size of cable glands can vary and can be in accordance with specific project.

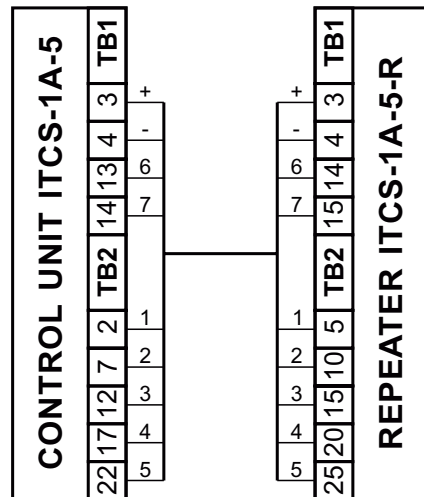
Rev	Changes	Date/Sign	Based by-Project	Date	Sign	<p align="center">CALLING SYSTEM</p> <p align="center">Control unit ITCS-1A-5/10/15, outlines</p>		
1			Prepared	12.09.11.	Milinović			
2			Drawn	17.06.21.	Bettle			
3			Approved					
4								
5						Identity: 02-06-021/022/023	Ref.:	Rev. 0
<p>This drawing is the property of INELTEH d.o.o. and must not be reproduced, copied or distributed, entirely or in part, without written permission of INELTEH d.o.o.</p>			<p align="center">INELTEH RIJEKA - CROATIA</p>			File: ITCS-1A-5,10,15, outlines.cdr		Page/of 14



CONNECTION DIAGRAM for REPEATER UNIT ITCS-R2 or REPEATER UNIT ITCS-R2-D:



CONNECTION DIAGRAM for REPEATER UNIT ITCS-1A-5-R:

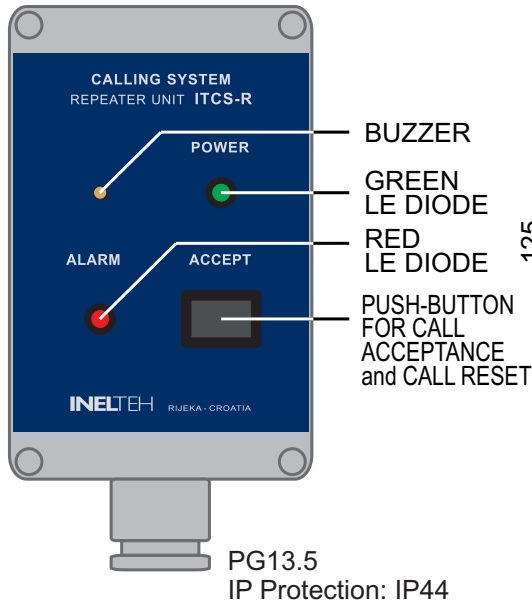


*****NOTE:**

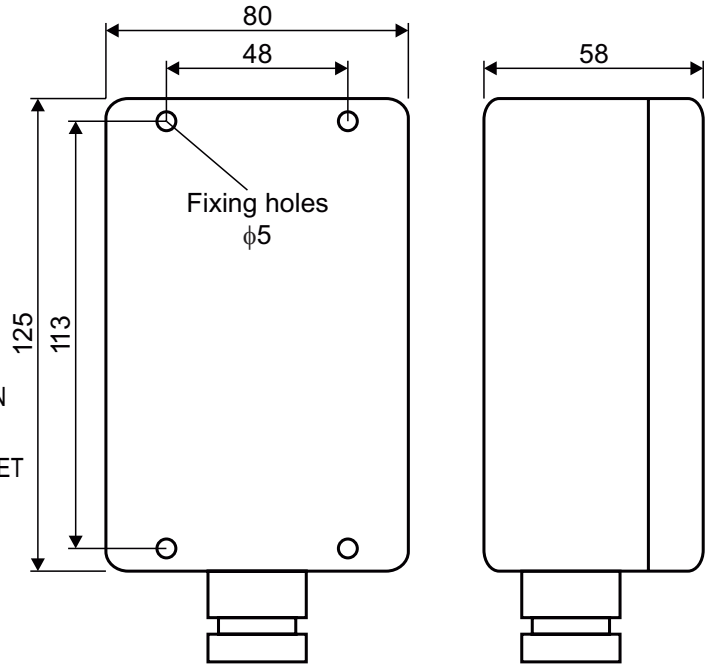
For control unit ITCS-1A-10 or ITCS-1A-15, additional terminals TB3 and TB4 are used. They are same as terminal block TB2.

Rev	Changes	Date/Sign	Based by-Project	Date	Sign	Title:				
1						CALLING SYSTEM Control unit ITCS-1A-5/10/15, connection terminals				
2			Prepared	16.02.11.	Milinović					
3			Drawn	17.06.21.	Bettle					
4			Approved							
5										
This drawing is the property of INELTEH d.o.o. and must not be reproduced, copied or distributed, entirely or in part, without written permission of INELTEH d.o.o.						INELTEH RIJEKA - CROATIA		Identity: 02-06-021/022/023	Ref.:	Rev. 0
								File: ITCS-1A-5,10,15, terminals.cdr		Page/of 15

FRONT VIEW:



OUTLINES:

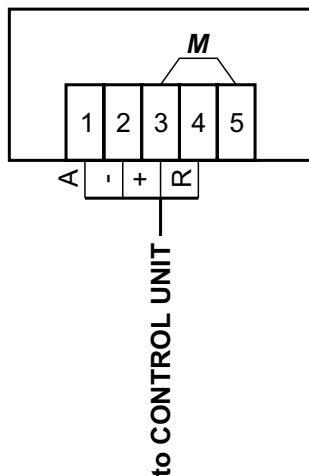


Weight: 0.26kg

DESCRIPTION:

ITCS-R is repeater unit for using with control unit type ITCS-1 (or ITCS-2). While system is on, green "POWER" LE diode lights. When call alarm is done, red "ALARM" LE diode and buzzer are activated. Call is accepted and reset by "ACCEPT" push button. Audio and visual signalization is switched off and system is ready to proceed new call.

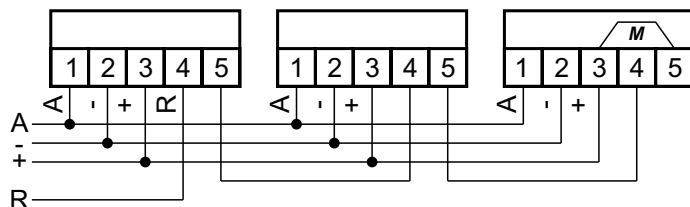
CONNECTION:



CURRENT CONSUMPTION:
0.055A / 24V DC

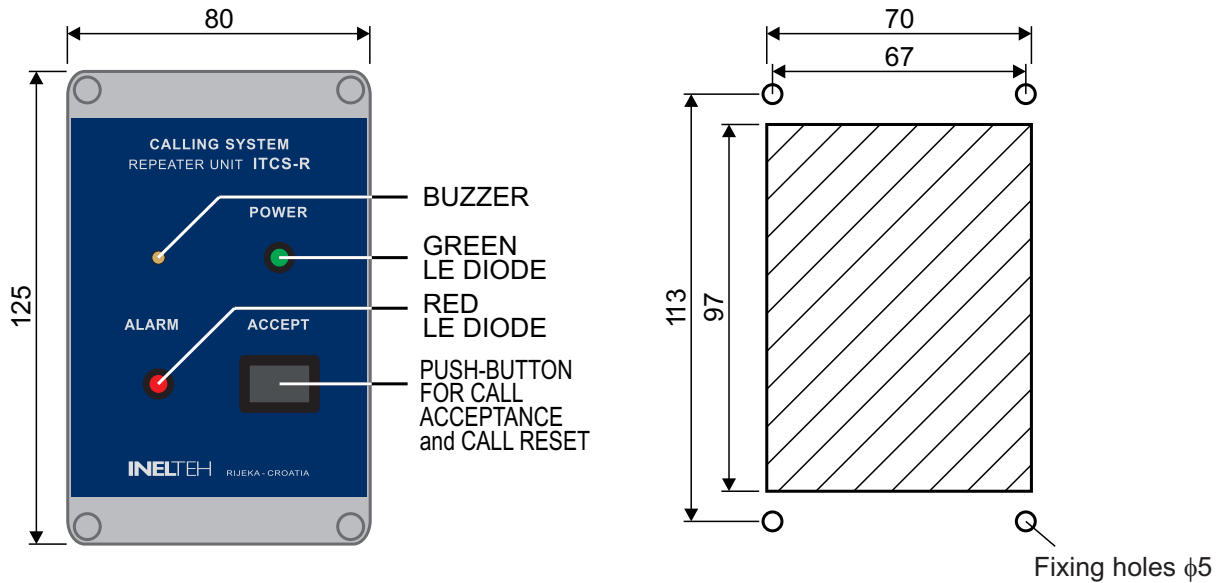
NOTE:

If more repeater units type ITCS-R is used, terminals 1,2,3 are connected in parallel and terminals 4,5 in series. Put link *M* on last unit in chain.



Rev	Changes	Date/Sign	Based by-Project	Date	Sign	Title:		
1						CALLING SYSTEM Repeater unit ITCS-R		
2			Prepared	21.02.11.	Milinović			
3			Drawn	17.06.21.	Bettle			
4			Approved					
5								
This drawing is the property of INELTEH d.o.o. and must not be reproduced, copied or distributed, entirely or in part, without written permission of INELTEH d.o.o.			INELTEH RIJEKA - CROATIA		Identity:	02-06-007	Ref.:	Rev. 0
						File:	ITCS-R.cdr	Page/of 16

FRONT VIEW / OUTLINES / CONSOLE CUT-OUT:



Depth is approx. 15mm
IP Protection: IP44 (front side)

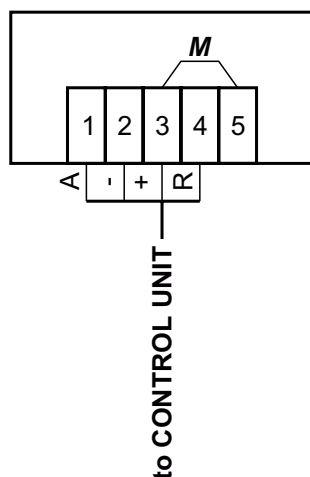
Weight: 0.14kg

NOTE: The unit is the same as bulkhead mounted version, but without back-box. Connection terminals are delivered on original wire form 0.5m long.

DESCRIPTION:

ITCS-R is repeater unit for using with control unit type ITCS-1 (or ITCS-2). While system is on, green "POWER" LE diode lights. When call alarm is done, red "ALARM" LE diode and buzzer are activated. Call is accepted and reset by "ACCEPT" push button. Audio and visual signalization is switched off and system is ready to proceed new call.

CONNECTION:

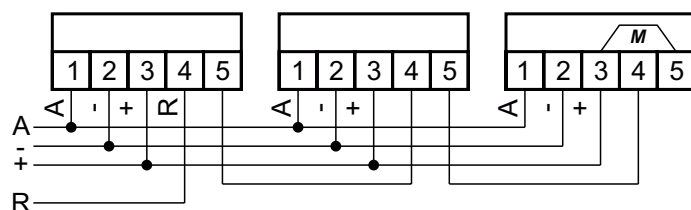


CURRENT CONSUMPTION:

0.055A / 24V DC

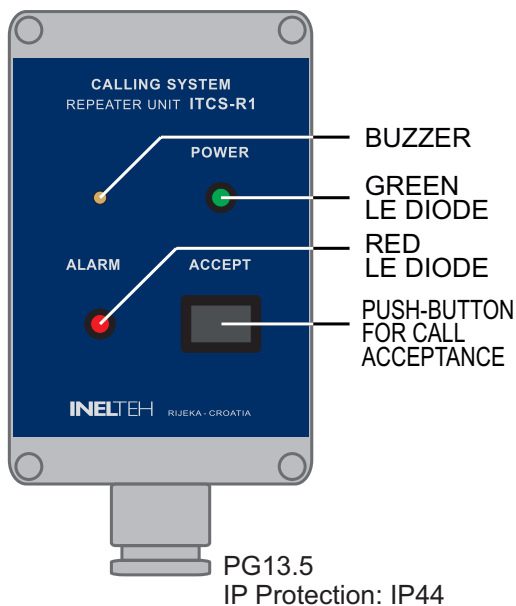
NOTE:

If more repeater units type ITCS-R is used, terminals 1,2,3 are connected in parallel and terminals 4,5 in series. Put link *M* on last unit in chain.

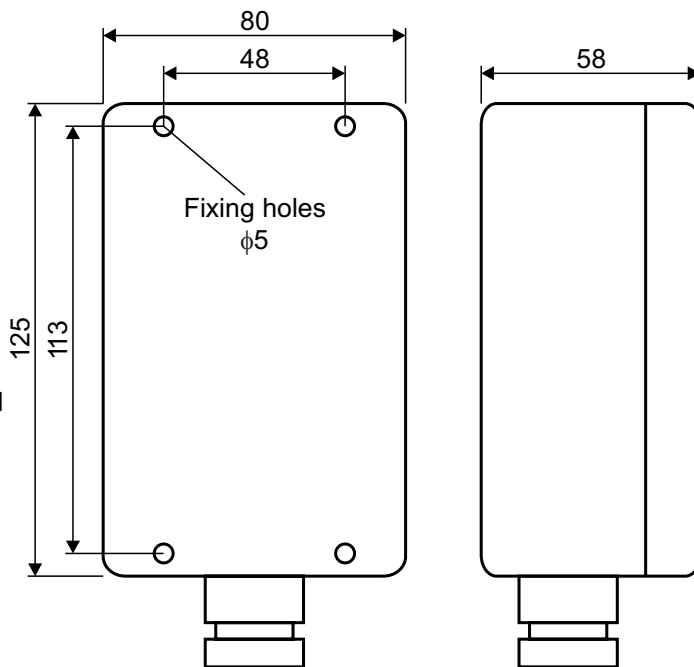


Rev	Changes	Date/Sign	Based by-Project	Date	Sign	Title:		
1			Prepared	21.02.11.	Milinović	CALLING SYSTEM Repeater unit ITCS-R, flush mounting		
2			Drawn	17.06.21.	Bettle			
3			Approved					
4								
5						Identity: 02-06-039	Ref.:	Rev. 0
This drawing is the property of INELTEH d.o.o. and must not be reproduced, copied or distributed, entirely or in part, without written permission of INELTEH d.o.o.			INELTEH RIJEKA - CROATIA			File: ITCS-R, flush.cdr		Page/of 16a

FRONT VIEW:



OUTLINES:

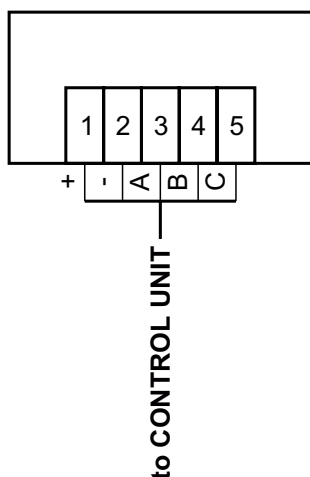


Weight: 0.26kg

DESCRIPTION:

ITCS-R1 is repeater unit for using with control unit type ITCS-1A (or ITCS-2A). While system is on, green "POWER" LE diode lights. When call alarm is done, red "ALARM" LE diode and buzzer are activated. Call is accepted by "ACCEPT" push button. Audio signalization goes off, but red LE diode is activated, until call is reset by "RESET" push button, situated on the place of call.

CONNECTION:

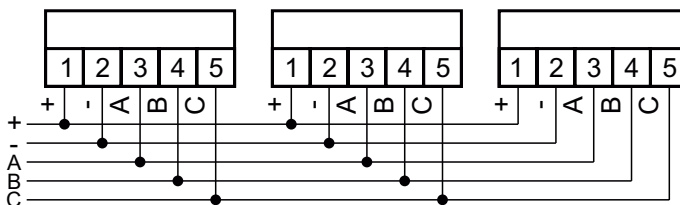


CURRENT CONSUMPTION:

0.055A / 24V DC

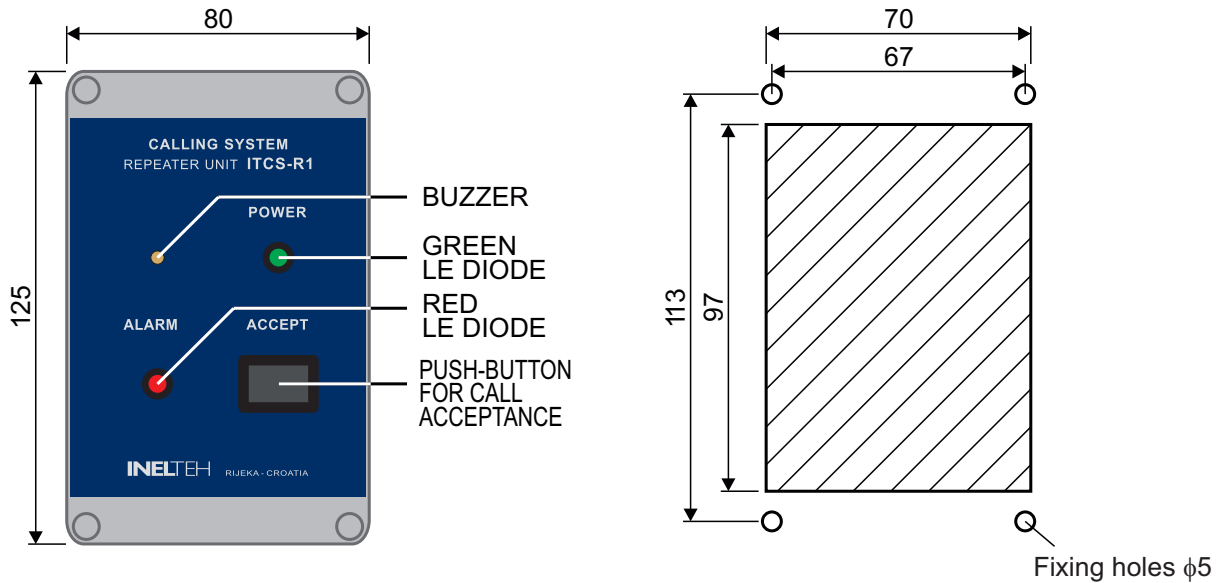
NOTE:

If more repeater units type ITCS-R1 or ITCS-R1-D is used, all terminals are connected in parallel.



Rev	Changes	Date/Sign	Based by-Project	Date	Sign	Title:		
1						CALLING SYSTEM Repeater unit ITCS-R1		
2			Prepared	15.12.09.	Milinović			
3			Drawn	17.06.21.	Bettle			
4			Approved					
5						Identity: 02-06-018	Ref.:	Rev. 0
This drawing is the property of INELTEH d.o.o. and must not be reproduced, copied or distributed, entirely or in part, without written permission of INELTEH d.o.o.			INELTEH RIJEKA - CROATIA			File: ITCS-R1.cdr		Page/of 17

FRONT VIEW / OUTLINES / CONSOLE CUT-OUT:



Depth is approx. 15mm
IP Protection: IP44 (front side)

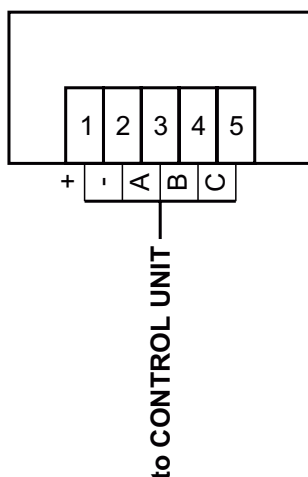
Weight: 0.14kg

NOTE: The unit is the same as bulkhead mounted version, but without back-box. Connection terminals are delivered on original wire form 0.5m long.

DESCRIPTION:

ITCS-R1 is repeater unit for using with control unit type ITCS-1A (or ITCS-2A). While system is on, green "POWER" LE diode lights. When call alarm is done, red "ALARM" LE diode and buzzer are activated. Call is accepted by "ACCEPT" push button. Audio signalization goes off, but red LE diode is activated, until call is reset by "RESET" push button, situated on the place of call.

CONNECTION

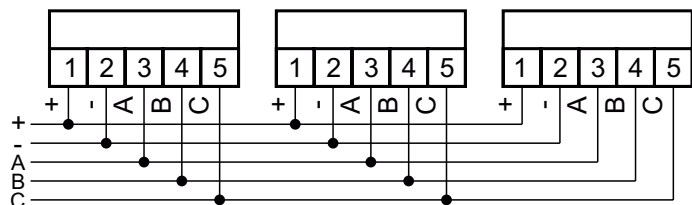


CURRENT CONSUMPTION:

0.055A / 24V DC

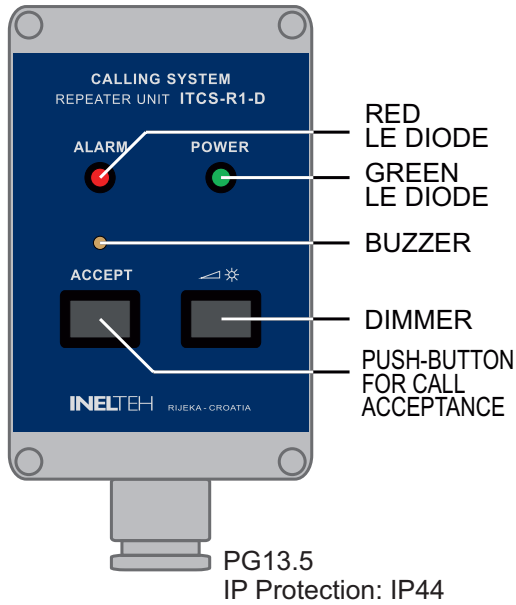
NOTE:

If more repeater units type ITCS-R1 or ITCS-R1-D is used, all terminals are connected in parallel.

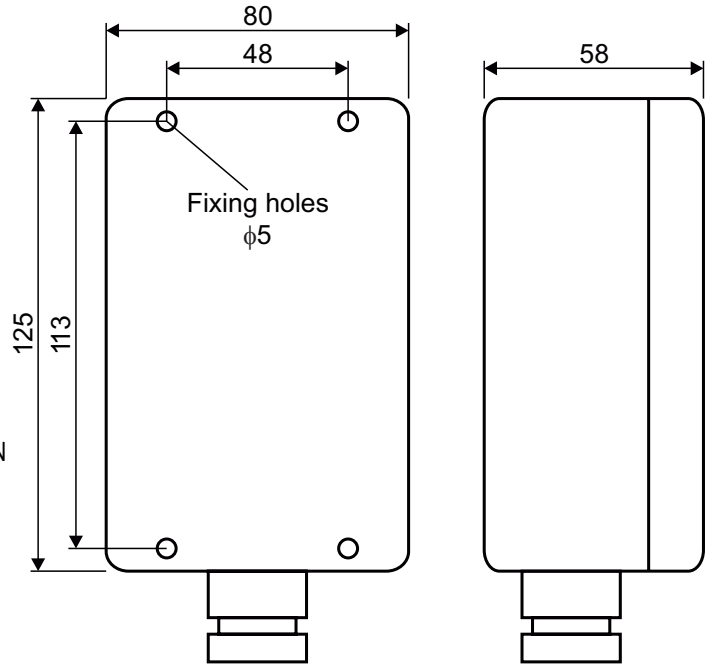


Rev	Changes	Date/Sign	Based by-Project	Date	Sign	Title:		
1			Prepared	15.12.09.	Milinović	CALLING SYSTEM Repeater unit ITCS-R1, flush mounting		
2			Drawn	17.06.21.	Bettle			
3			Approved					
4								
5						Identity:	Ref.:	Rev.
This drawing is the property of INELTEH d.o.o. and must not be reproduced, copied or distributed, entirely or in part, without written permission of INELTEH d.o.o.			INELTEH RIJEKA - CROATIA		02-06-041		0	
					File:		Page/of	
					ITCS-R1, flush.cdr		17a	

FRONT VIEW:



OUTLINES:

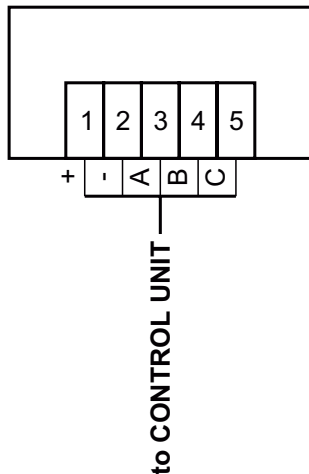


Weight: 0.28kg

DESCRIPTION:

ITCS-R1-D is repeater unit for using with control unit type ITCS-1A (or ITCS-2A). While system is on, green "POWER" LE diode lights. When call alarm is done, red "ALARM" LE diode and buzzer are activated. Call is accepted by "ACCEPT" push button. Audio signalization goes off, but red LE diode is on, until call is reset by "RESET" push button, situated on the place of call. By "DIMMER" switch intensity of green LE diode can be reduced.

CONNECTION:

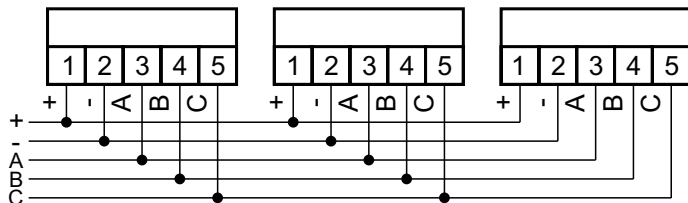


CURRENT CONSUMPTION:

0.055A / 24V DC

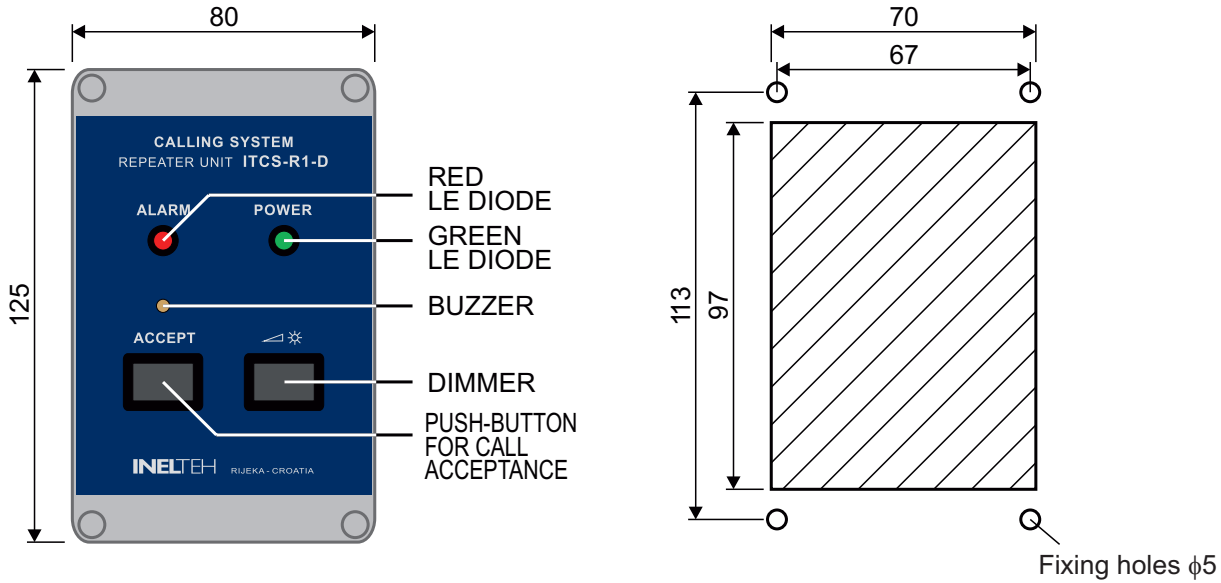
NOTE:

If more repeater units type ITCS-R1 or ITCS-R1-D is used, all terminals are connected in parallel.



Rev	Changes	Date/Sign	Based by-Project	Date	Sign	Title:				
1						<p align="center">CALLING SYSTEM</p> <p align="center">Repeater unit ITCS-R1-D</p>				
2			Prepared	15.12.09.	Milinović					
3			Drawn	17.06.21.	Bettle					
4			Approved							
5										
This drawing is the property of INELTEH d.o.o. and must not be reproduced, copied or distributed, entirely or in part, without written permission of INELTEH d.o.o.					Identity:	02-06-026	Ref.:		Rev.	0
						File:	ITCS-R1-D.cdr		Page/of	18

FRONT VIEW / OUTLINES / CONSOLE CUT-OUT:



Depth is approx. 15mm
IP Protection: IP44 (front side)

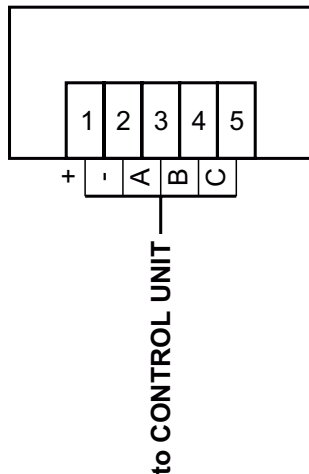
Weight: 0.14kg

NOTE: The unit is the same as bulkhead mounted version, but without back-box. Connection terminals are delivered on original wire form 0.5m long.

DESCRIPTION:

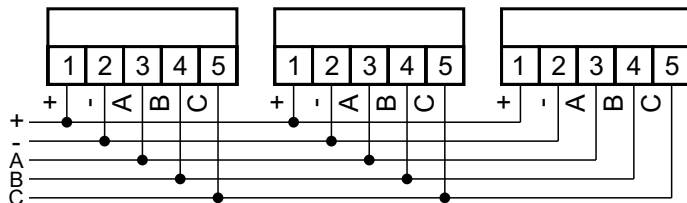
ITCS-R1-D is repeater unit for using with control unit type ITCS-1A (or ITCS-2A). While system is on, green "POWER" LE diode lights. When call alarm is done, red "ALARM" LE diode and buzzer are activated. Call is accepted by "ACCEPT" push button. Audio signalization goes off, but red LE diode is on, until call is reset by "RESET" push button, situated on the place of call. By "DIMMER" switch intensity of green LE diode can be reduced.

CONNECTION:



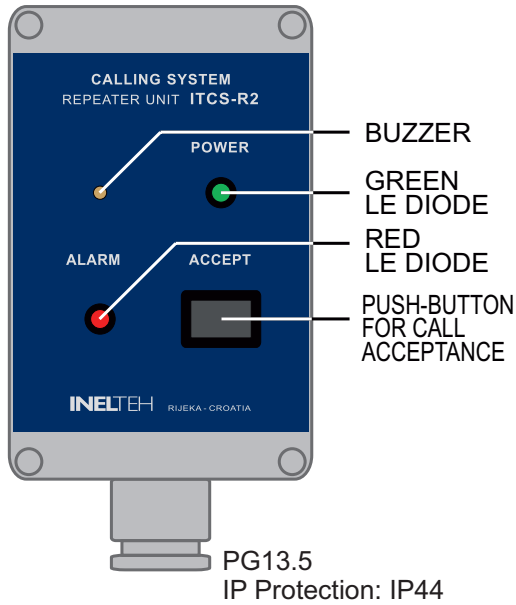
CURRENT CONSUMPTION:
0.055A / 24V DC

NOTE:
If more repeater units type ITCS-R1 or ITCS-R1-D is used, all terminals are connected in parallel.

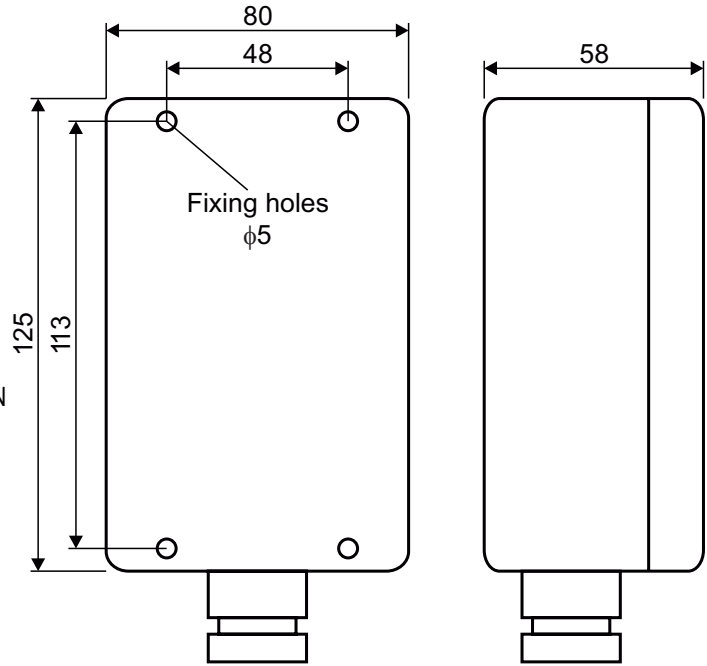


Rev	Changes	Date/Sign	Based by-Project	Date	Sign	Title:		
1						CALLING SYSTEM Repeater unit ITCS-R1-D, flush mounting		
2			Prepared	20.06.13.	Milinović			
3			Drawn	17.06.21.	Bettle			
4			Approved					
5								
This drawing is the property of INELTEH d.o.o. and must not be reproduced, copied or distributed, entirely or in part, without written permission of INELTEH d.o.o.			INELTEH RIJEKA - CROATIA		Identity:	02-06-042	Ref.:	Rev. 0
						File:	ITCS-R1-D, flush.cdr	Page/of 18a

FRONT VIEW:



OUTLINES:

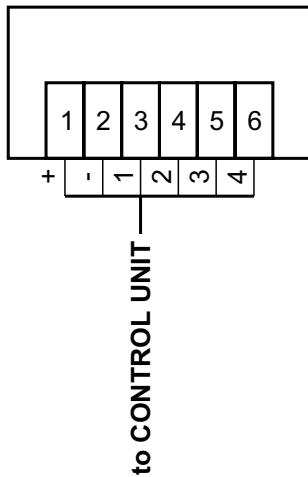


Weight: 0.26kg

DESCRIPTION:

ITCS-R2 is repeater unit for using with control unit type ITCS-1A-5/10/15. While system is on, green "POWER" LE diode lights. When call alarm is done, red "ALARM" LE diode and buzzer are activated. Call is accepted by "ACCEPT" push button. Audio signalization goes off, but red LE diode is activated, until call is reset by "RESET" push button, situated on the place of call. When control unit is tested by "TEST" push button, repeater unit is tested, too.

CONNECTION:

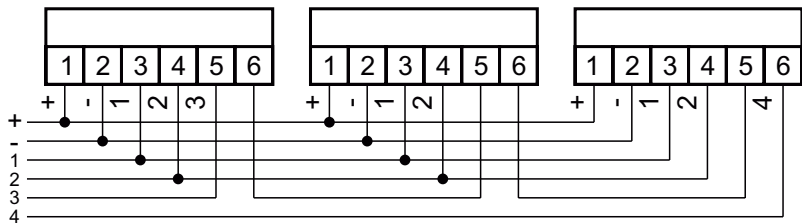


CURRENT CONSUMPTION:

0.055A / 24V DC

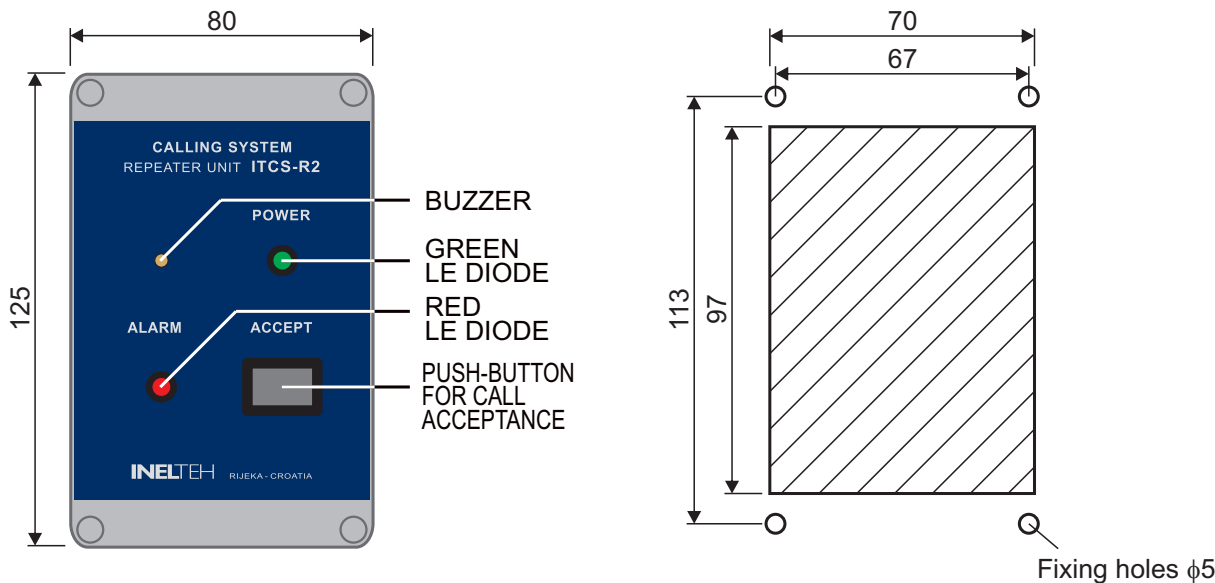
NOTE:

If more repeater units type ITCS-R2 or ITCS-R2-D is used, terminals 1,2,3,4 are connected in parallel and terminals 5,6 in series.



Rev	Changes	Date/Sign	Based by-Project	Date	Sign	Title:		
1						CALLING SYSTEM Repeater unit ITCS-R2		
2			Prepared	16.02.11.	Milinović			
3			Drawn	17.06.21.	Bettle			
4			Approved					
5						Identity:	Ref.:	Rev.
This drawing is the property of INELTEH d.o.o. and must not be reproduced, copied or distributed, entirely or in part, without written permission of INELTEH d.o.o.			INELTEH RIJEKA - CROATIA		02-06-027			0
					File: ITCS-R2.cdr			Page/of 19

FRONT VIEW / OUTLINES / CONSOLE CUT-OUT:



Depth is approx. 15mm
IP Protection: IP44 (front side)

Weight: 0.14kg

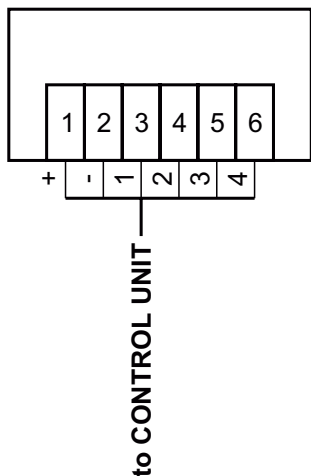
NOTE: The unit is the same as bulkhead mounted version, but without back-box. Connection terminals are delivered on original wire form 0.5m long.

DESCRIPTION:

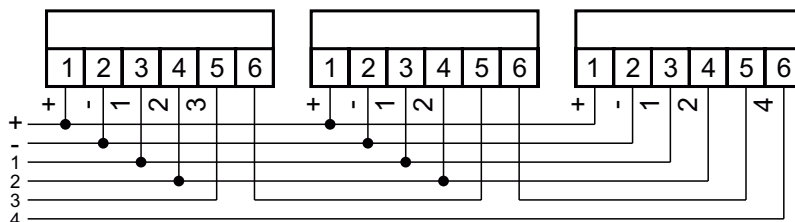
ITCS-R2 is repeater unit for using with control unit type ITCS-1A-5/10/15. While system is on, green "POWER" LE diode lights. When call alarm is done, red "ALARM" LE diode and buzzer are activated. Call is accepted by "ACCEPT" push button. Audio signalization goes off, but red LE diode is activated, until call is reset by "RESET" push button, situated on the place of call. When control unit is tested by "TEST" push button, repeater unit is tested, too.

CONNECTION:

CURRENT CONSUMPTION:
0.055A / 24V DC

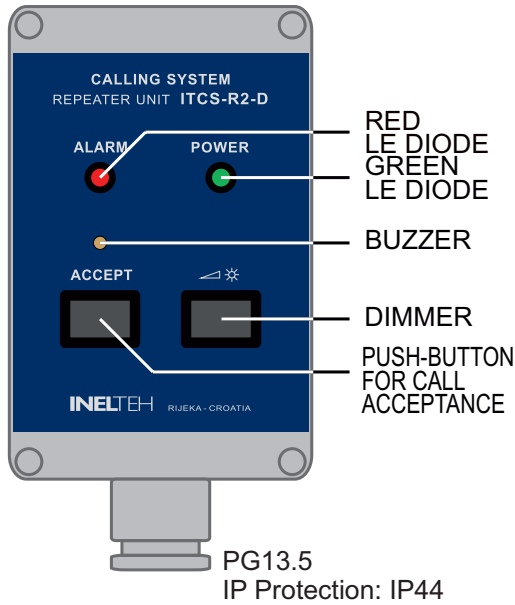


NOTE:
If more repeater units type ITCS-R2 or ITCS-R2-D is used, terminals 1,2,3,4 are connected in parallel and terminals 5,6 in series.

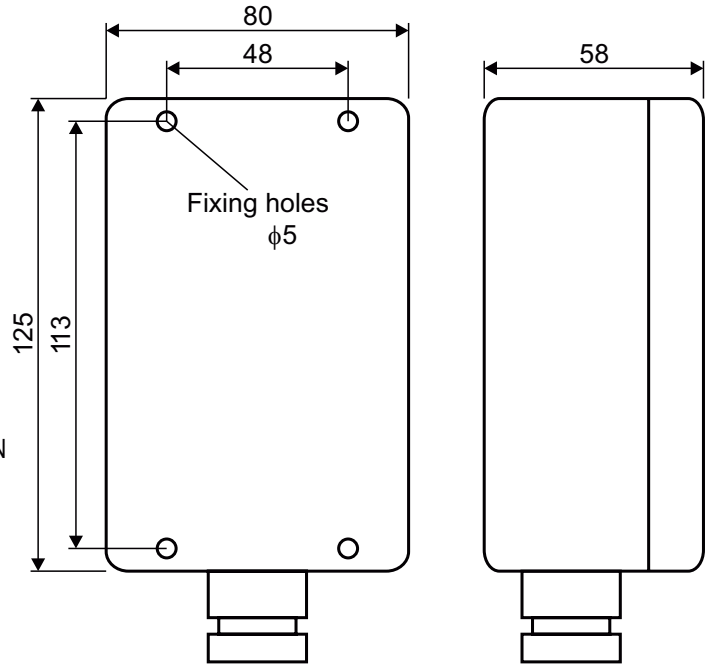


Rev	Changes	Date/Sign	Based by-Project	Date	Sign	Title: CALLING SYSTEM		
1			Prepared	15.12.09.	Milinović	Repeater unit ITCS-R2, flush mounting		
2			Drawn	17.06.21.	Bettle	Identity:	Ref.:	Rev. 0
3			Approved			02-06-043		
4						File:		Page/of 19a
5						ITCS-R2, flush.cdr		
<small>This drawing is the property of INELTEH d.o.o. and must not be reproduced, copied or distributed, entirely or in part, without written permission of INELTEH d.o.o.</small>								

FRONT VIEW:



OUTLINES:

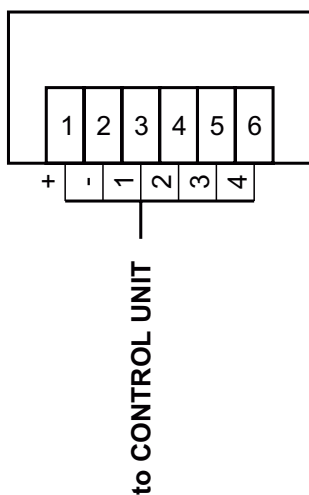


Weight: 0.28kg

DESCRIPTION:

ITCS-R2-D is repeater unit for using with control unit type ITCS-1A-5/10/15. While system is on, green "POWER" LE diode lights. When call alarm is done, red "ALARM" LE diode and buzzer are activated. Call is accepted by "ACCEPT" push button. Audio signalization goes off, but red LE diode is on, until call is reset by "RESET" push button, situated on the place of call. By "DIMMER" switch intensity of LE diodes can be reduced, in case when there is no alarm or alarm is accepted (audio signalization is off). Until call is accepted, both LE diodes light with full intensity. When control unit is tested by "TEST" push button, repeater unit is tested, too.

CONNECTION:

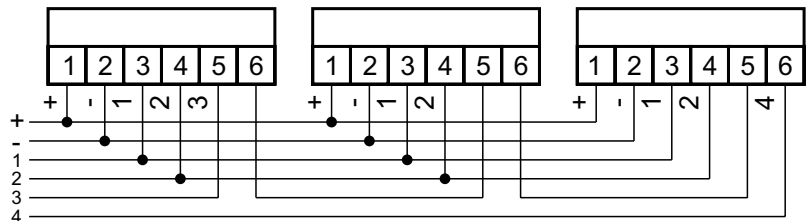


CURRENT CONSUMPTION:

0.055A / 24V DC

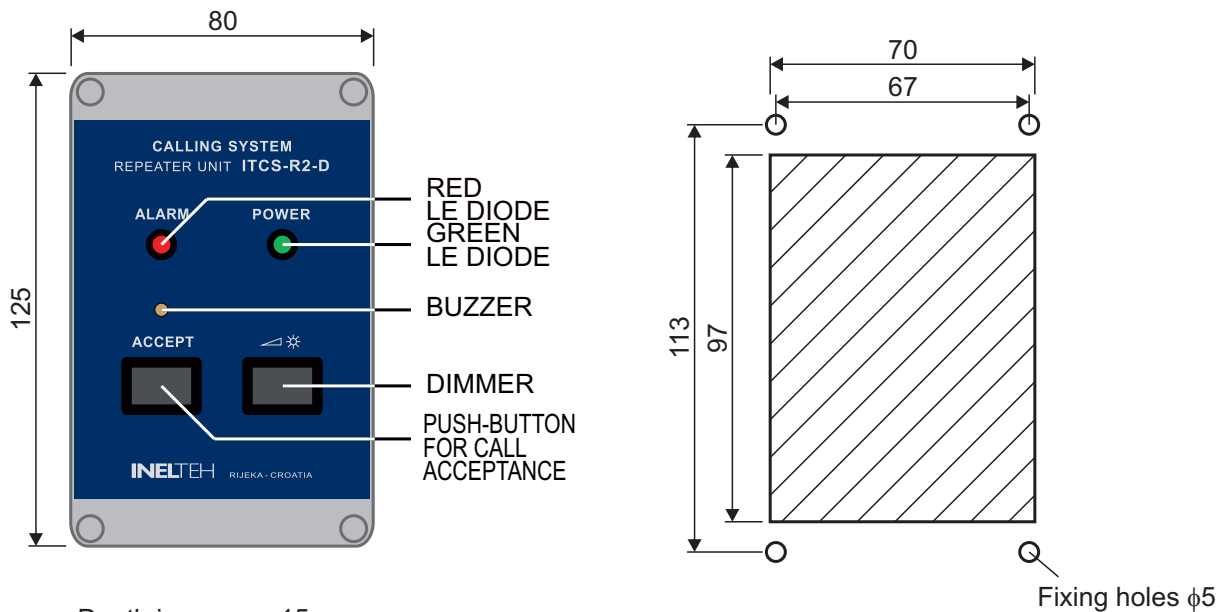
NOTE:

If more repeater units type ITCS-R2 or ITCS-R2-D is used, terminals 1,2,3,4 are connected in parallel and terminals 5,6 in series.



Rev	Changes	Date/Sign	Based by-Project	Date	Sign	Title:		
1						CALLING SYSTEM Repeater unit ITCS-R2-D		
2			Prepared	16.02.11.	Milinović			
3			Drawn	17.06.21.	Bettle			
4			Approved					
5						Identity:	Ref.:	Rev.
This drawing is the property of INELTEH d.o.o. and must not be reproduced, copied or distributed, entirely or in part, without written permission of INELTEH d.o.o.			INELTEH RIJEKA - CROATIA			02-06-028		0
						File:		Page/of
						ITCS-R2-D.cdr		20

FRONT VIEW / OUTLINES / CONSOLE CUT-OUT:



Depth is approx. 15mm
IP Protection: IP44 (front side)

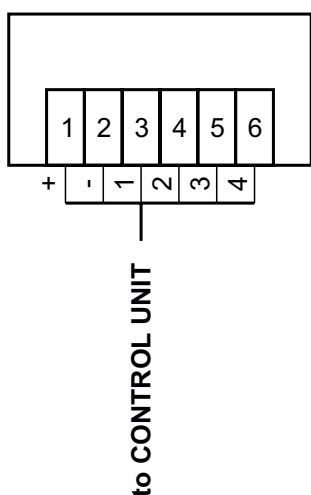
Weight: 0.14kg

NOTE: The unit is the same as bulkhead mounted version, but without back-box. Connection terminals are delivered on original wire form 0.5m long.

DESCRIPTION:

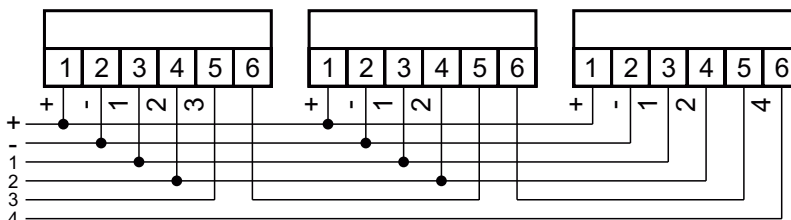
ITCS-R2-D is repeater unit for using with control unit type ITCS-1A-5/10/15. While system is on, green "POWER" LE diode lights. When call alarm is done, red "ALARM" LE diode and buzzer are activated. Call is accepted by "ACCEPT" push button. Audio signalization goes off, but red LE diode is on, until call is reset by "RESET" push button, situated on the place of call. By "DIMMER" switch intensity of LE diodes can be reduced, in case when there is no alarm or alarm is accepted (audio signalization is off). Until call is accepted, both LE diodes light with full intensity. When control unit is tested by "TEST" push button, repeater unit is tested, too.

CONNECTION:



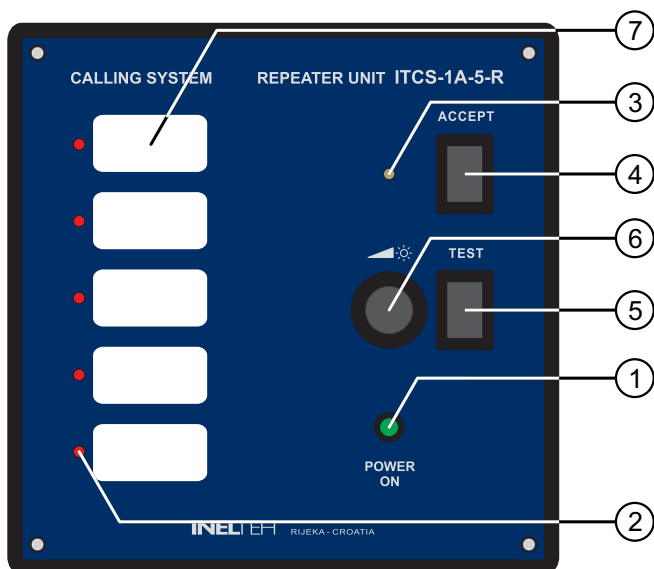
CURRENT CONSUMPTION:
0.055A / 24V DC

NOTE: If more repeater units type ITCS-R2 or ITCS-R2-D is used, terminals 1,2,3,4 are connected in parallel and terminals 5,6 in series.

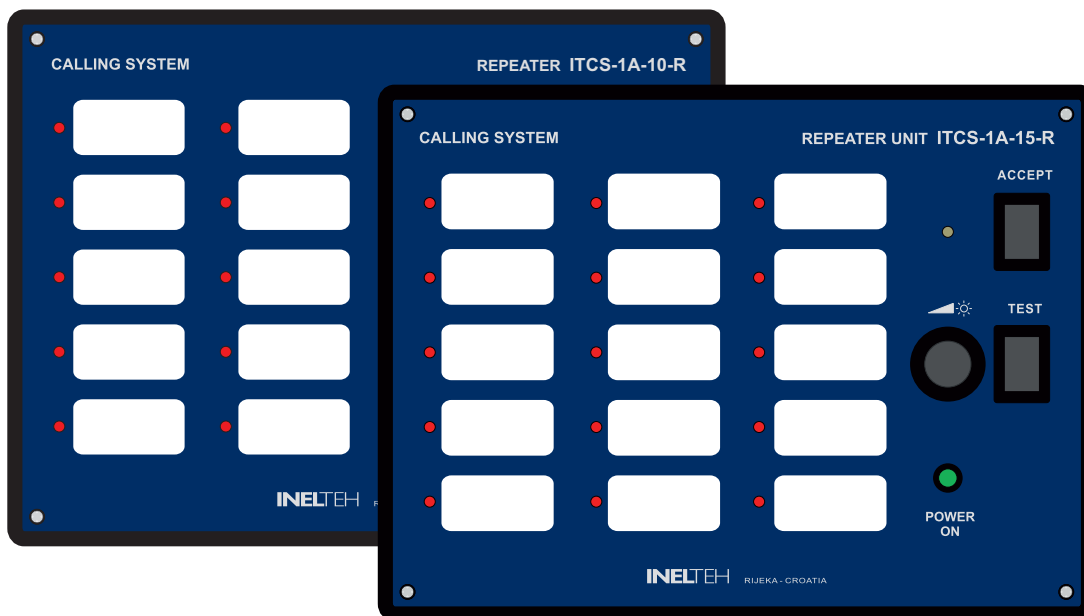


Rev	Changes	Date/Sign	Based by-Project	Date	Sign	Title: CALLING SYSTEM		
1			Prepared	16.02.11.	Milinović	Repeater unit ITCS-R2-D, flush mounting		
2			Drawn	17.06.21.	Bettle	Identity:	Ref.:	Rev. 0
3			Approved			02-06-044		
4						File:		Page/of 20a
5						ITCS-R2-D, flush.cdr		
<small>This drawing is the property of INELTEH d.o.o. and must not be reproduced, copied or distributed, entirely or in part, without written permission of INELTEH d.o.o.</small>								

FRONT VIEW:



- ① LED "POWER ON" - Lights when system is ON
- ② ALARM LE DS - For indicating the place of call
- ③ BUZZER - For audio signalization of call
- ④ PUSH BUTTON "ACCEPT" - For accepting the call and resetting audio signalization
- ⑤ PUSH BUTTON "TEST" - For leds, buzzer and alarm output testing
- ⑥ DIMMER - For adjusting leds brightness
- ⑦ LABEL WITH THE NAMES OF CALLING PLACES - User adjustable, changable label

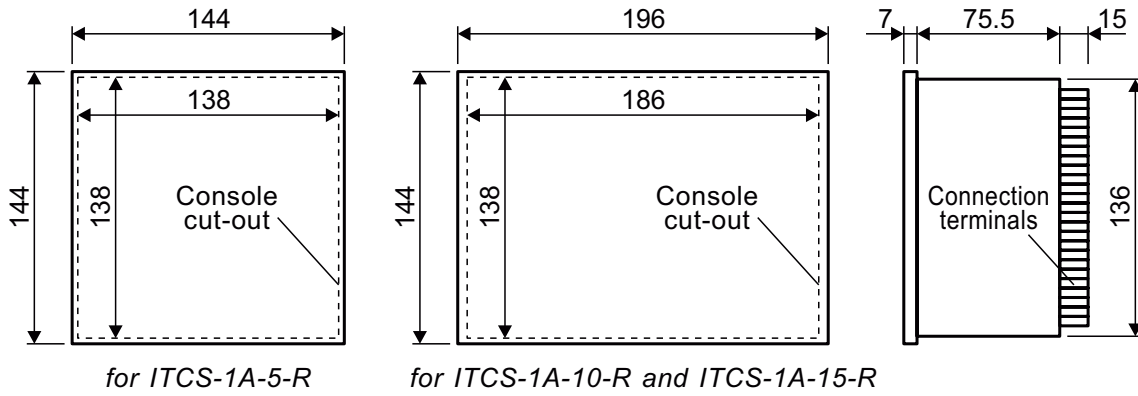


DESCRIPTION:

ITCS-1A-5/10/15-R is repeater unit. It is connected to control unit and can not be used as stand-alone. When system is on, green "POWER ON" LE diode (1) lights. Red alarm LE diodes (2) and buzzer (3) indicate call from appropriate calling place. Acceptance of call is done by "ACCEPT" push button (4). Audio alarm goes off, but alarm LE diode (3) is still on, because call can be reset only by "RESET" push button, situated on the place of call. The intensity of LE diodes can be reduced by "DIMMER" switch (6). Alarm LE diodes can be dimmed only after alarm is accepted. By "TEST" push button (5) LE diodes and buzzer are tested. **ITCS-1A-5-R** is used with control unit **ITCS-1A-5**, **ITCS-1A-10-R** with control unit **ITCS-1A-10** and **ITCS-1A-15-R** with control unit **ITCS-1A-15**.

Rev	Changes	Date/Sign	Based by-Project	Date	Sign	Title:		
1						CALLING SYSTEM Repeater unit ITCS-1A-5/10/15-R, description		
2			Prepared	13.01.10.	Milinović			
3			Drawn	17.06.21.	Bettle			
4			Approved					
5								
This drawing is the property of INELTEH d.o.o. and must not be reproduced, copied or distributed, entirely or in part, without written permission of INELTEH d.o.o.			INELTEH RIJEKA - CROATIA		Identity:	02-06-029/030/031	Ref.:	Rev. 0
						File:	ITCS-1A-5,10,15-R.cdr	Page/of 21

OUTLINES - flush mounting:

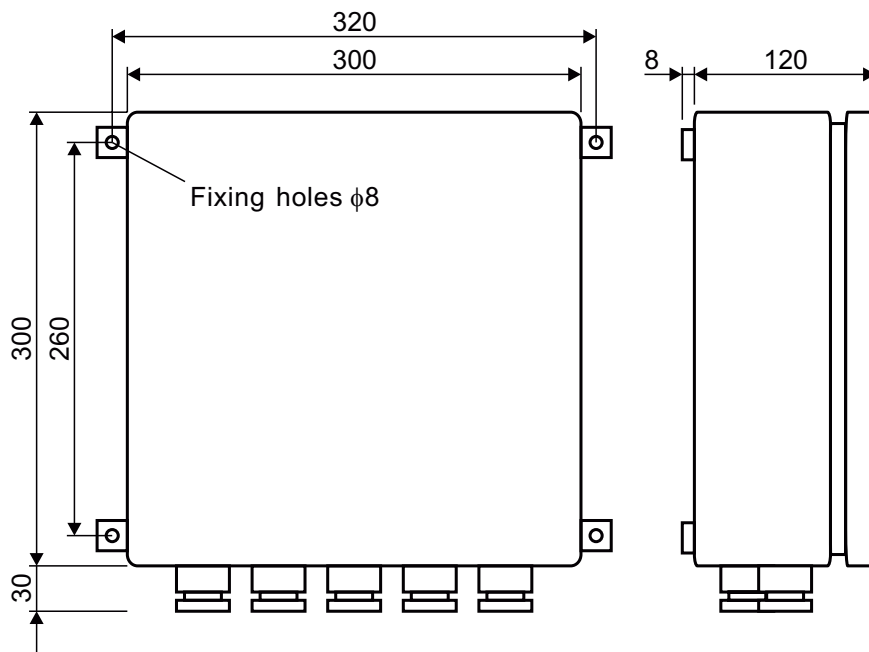


WEIGHT TABLE	
ITCS-1A-5-R, flush	0,54kg
ITCS-1A-10-R, flush	0,77kg
ITCS-1A-15-R, flush	0,91kg

OUTLINES - bulkhead mounting:

For bulkhead mounting, standard steel box 300x300x120 is used.

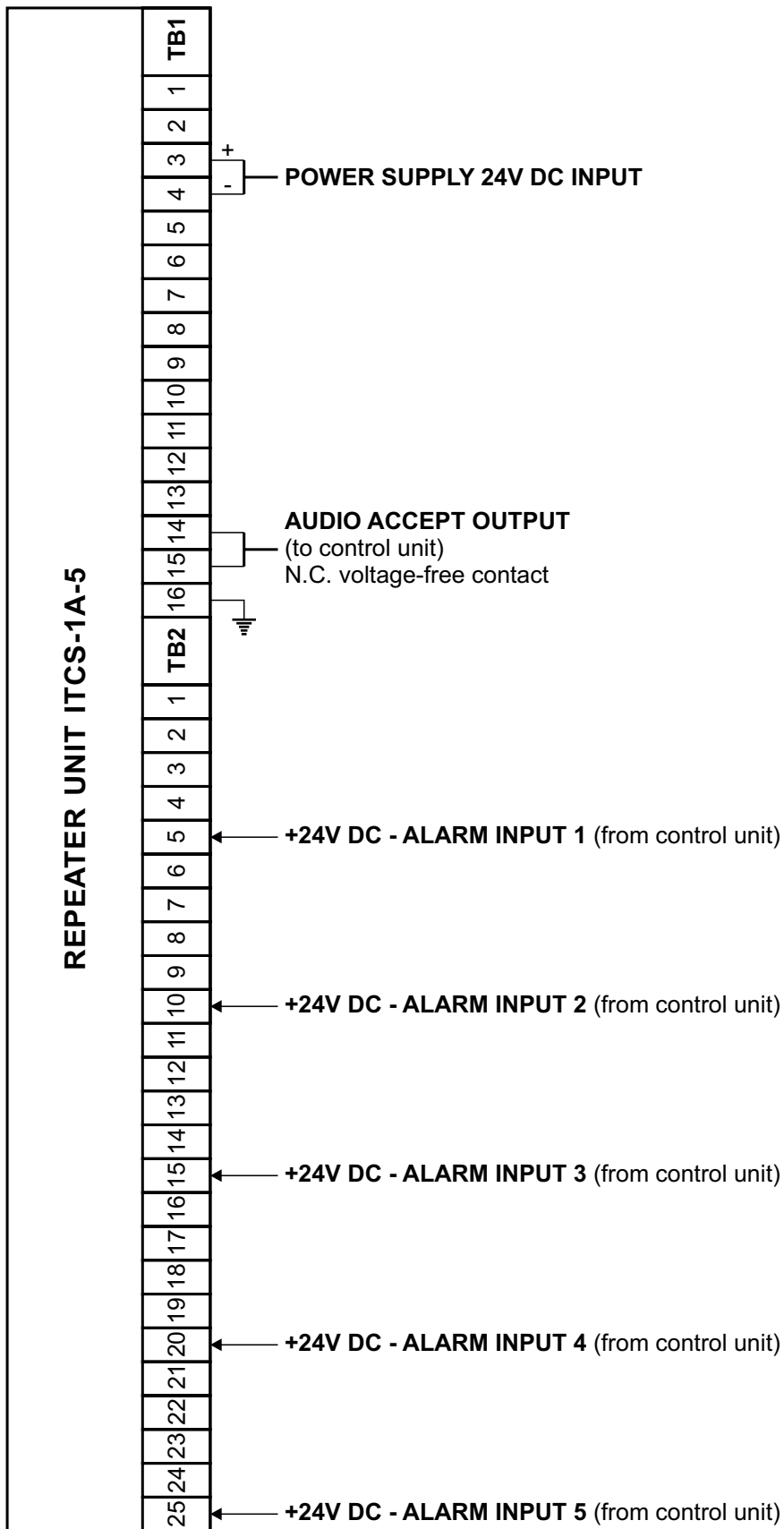
	SIZE	CODE	CABLE GLANDS	WEIGHT
ITCS-1A-5-R, bulkhead	300x300x120	05-04-002	1xPG16	4,5kg
ITCS-1A-10-R, bulkhead	300x300x120		1xPG21	4,7kg
ITCS-1A-15-R, bulkhead	300x300x120		1xPG29	4,9kg



NOTE:

Number and size of cable glands can vary and can be in accordance with specific project.

Rev	Changes	Date/Sign	Based by-Project	Date	Sign	Title:		
1						CALLING SYSTEM Repeater unit ITCS-1A-5/10/15-R, outlines		
2			Prepared	14.02.11.	Milinović			
3			Drawn	17.06.21.	Bettle			
4			Approved					
5								
This drawing is the property of INELTEH d.o.o. and must not be reproduced, copied or distributed, entirely or in part, without written permission of INELTEH d.o.o.			INELTEH RIJEKA - CROATIA		Identity: 02-06-029/030/031		Ref.:	Rev. 0
						File: ITCS-1A-5,10,15-R, outlines.cdr		Page/of 22

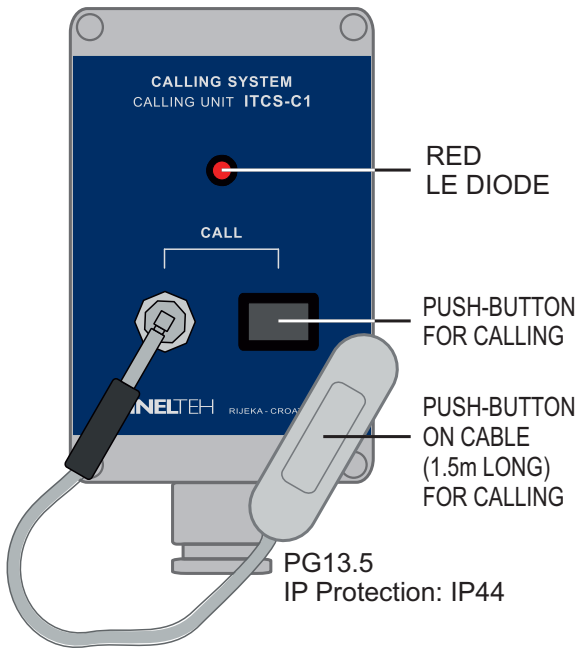


*****NOTE:**

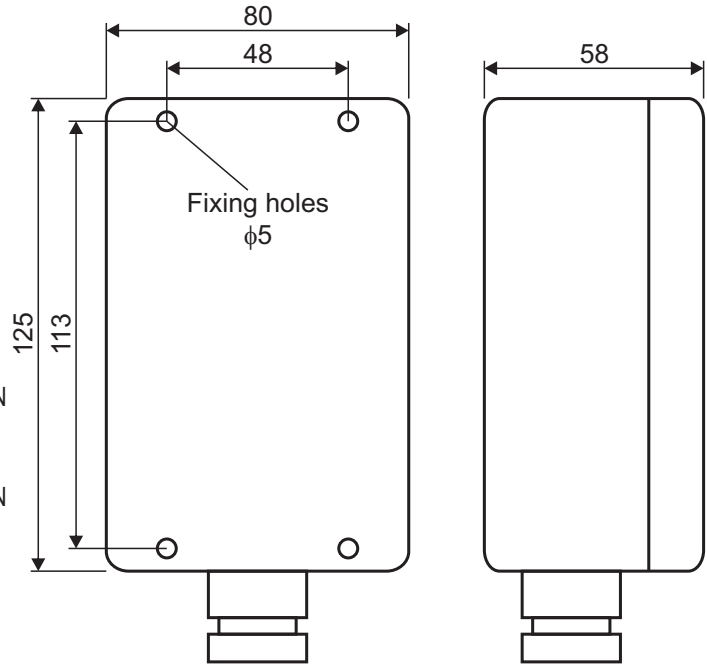
For repeater unit ITCS-1A-10-R or ITCS-1A-15-R, additional terminals TB3 and TB4 are used. They are same as terminal block TB2.

Rev	Changes	Date/Sign	Based by-Project	Date	Sign	Title:		
1						CALLING SYSTEM Repeater unit ITCS-1A-5/10/15-R, connection terminals		
2			Prepared	16.02.11.	Milinović			
3			Drawn	17.06.21.	Bettle			
4			Approved					
5								
<small>This drawing is the property of INELTEH d.o.o. and must not be reproduced, copied or distributed, entirely or in part, without written permission of INELTEH d.o.o.</small>			INELTEH RIJEKA - CROATIA		Identity: 02-06-029/030/031	Ref.:	Rev. 0	
					File: ITCS-1A-5,10,15-R, terminals.cdr	Page/of 23		

FRONT VIEW:



OUTLINES:

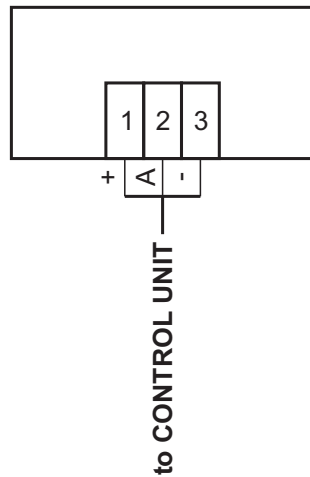


Weight: 0.34kg

DESCRIPTION:

ITCS-C1 is calling unit with additional push button on cable. It is mostly used near hospital's bed. A call is done by that push button or "CALL" push button situated on the front of calling unit. Red LE diode indicates the call was done. It lights until call is reset. When additional push button on cable is connected or disconnected to/from the ITCS-C1, call alarm is also activated.

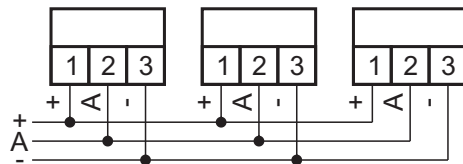
CONNECTION:



CURRENT CONSUMPTION:
0.013A / 24V DC

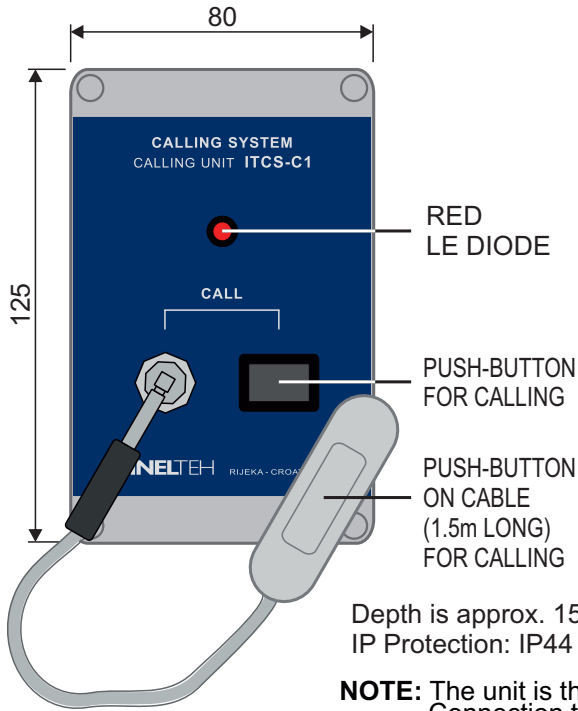
NOTE:

If more calling units type **ITCS-C1** is used for same calling place/line they are connected in parallel



Rev	Changes	Date/Sign	Based by-Project	Date	Sign	Title:		
1			Prepared	15.12.09.	Milinović	CALLING SYSTEM Calling unit ITCS-C1		
2			Drawn	17.06.21.	Bettle			
3			Approved					
4								
5						Identity: 02-06-008	Ref.:	Rev. 0
This drawing is the property of INELTEH d.o.o. and must not be reproduced, copied or distributed, entirely or in part, without written permission of INELTEH d.o.o.			INELTEH RIJEKA - CROATIA			File: ITCS-C1.cdr		Page/of 24

FRONT VIEW:

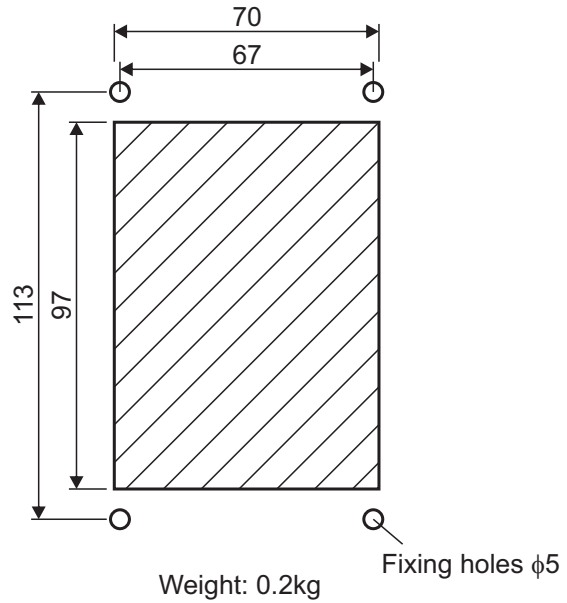


- RED LE DIODE
- PUSH-BUTTON FOR CALLING
- PUSH-BUTTON ON CABLE (1.5m LONG) FOR CALLING

Depth is approx. 15mm
IP Protection: IP44 (front side)

NOTE: The unit is the same as bulkhead mounted version, but without back-box. Connection terminals are delivered on original wire form 0.5m long.

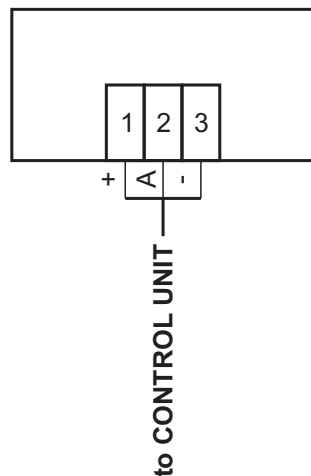
OUTLINES:



DESCRIPTION:

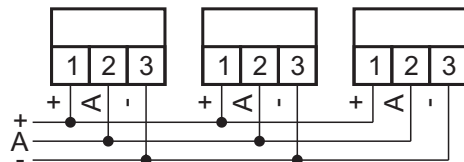
ITCS-C1 is calling unit with additional push button on cable. It is mostly used near hospital's bed. A call is done by that push button or "CALL" push button situated on the front of calling unit. Red LE diode indicates the call was done. It lights until call is reset. When additional push button on cable is connected or disconnected to/from the ITCS-C1, call alarm is also activated.

CONNECTION:



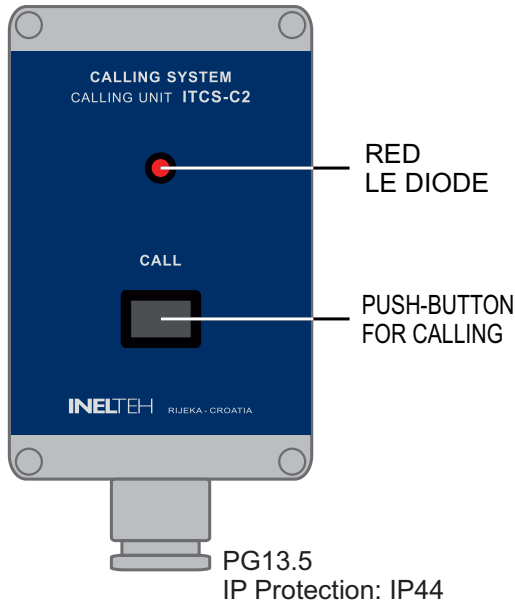
CURRENT CONSUMPTION:
0.013A / 24V DC

NOTE:
If more calling units type ITCS-C1 is used for same calling place/line they are connected in parallel

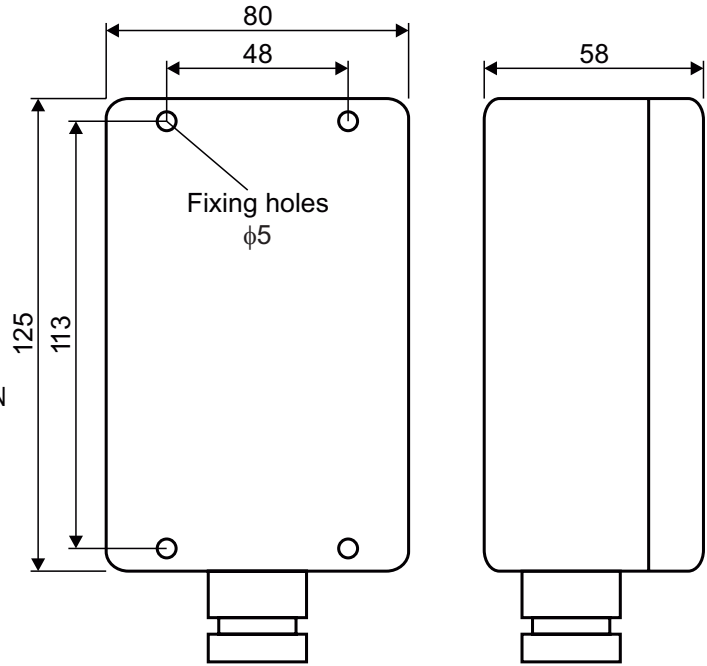


Rev	Changes	Date/Sign	Based by-Project	Date	Sign	Title:		
1			Prepared			CALLING SYSTEM Calling unit ITCS-C1, flush mounting		
2			Drawn	15.12.09.	Milinović			
3			Approved	17.06.21.	Bettle			
4								
5								
This drawing is the property of INELTEH d.o.o. and must not be reproduced, copied or distributed, entirely or in part, without written permission of INELTEH d.o.o.			INELTEH RIJEKA - CROATIA			Identity: 02-06-036	Ref.:	Rev. 0
						File: ITCS-C1, flush.cdr		Page/of 24a

FRONT VIEW:



OUTLINES:

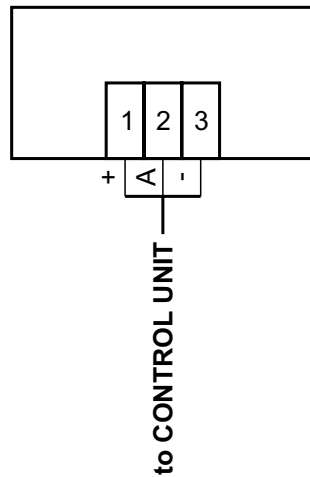


Weight: 0.21kg

DESCRIPTION:

ITCS-C2 is calling unit for general purpose. A call is done by "CALL" push button situated on the front of calling unit. Red LE diode indicates the call was done. It lights until call is reset

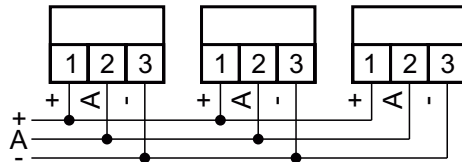
CONNECTION:



CURRENT CONSUMPTION:
0.013A / 24V DC

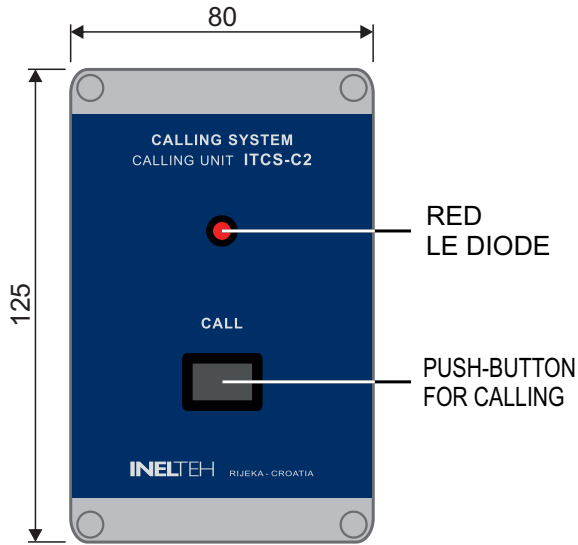
NOTE:

If more calling units type ITCS-C2 is used for same calling place/line they are connected in parallel

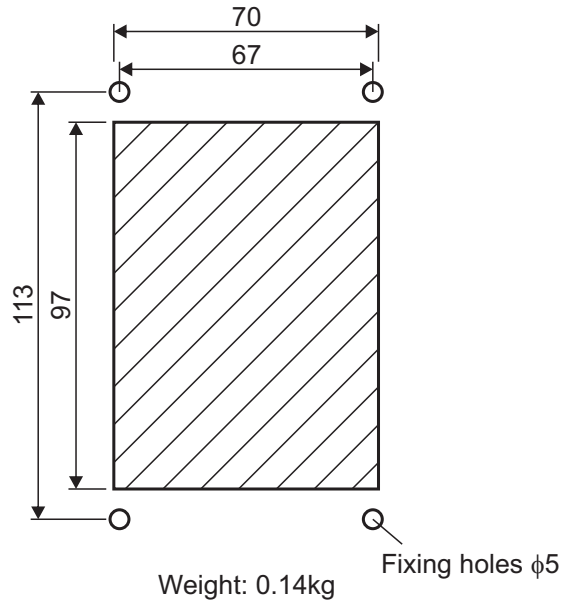


Rev	Changes	Date/Sign	Based by-Project	Date	Sign	Title:		
1			Prepared	15.12.09.	Milinoić	CALLING SYSTEM Calling unit ITCS-C2		
2			Drawn	17.06.21.	Bettle			
3			Approved					
4								
5						Identity: 02-06-009	Ref.:	Rev. 0
This drawing is the property of INELTEH d.o.o. and must not be reproduced, copied or distributed, entirely or in part, without written permission of INELTEH d.o.o.			INELTEH RIJEKA - CROATIA			File: ITCS-C2.cdr		Page/of 25

FRONT VIEW:



OUTLINES:



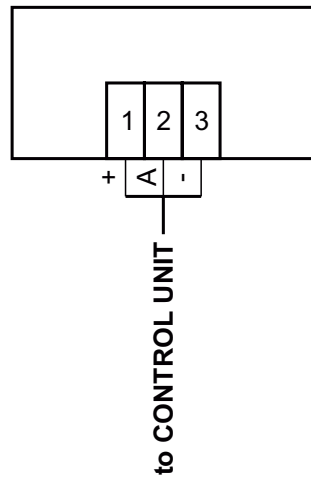
Depth is approx. 15mm
IP Protection: IP44 (front side)

NOTE: The unit is the same as bulkhead mounted version, but without back-box. Connection terminals are delivered on original wire form 0.5m long.

DESCRIPTION:

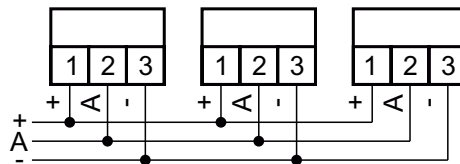
ITCS-C2 is calling unit for general purpose. A call is done by "CALL" push button situated on the front of calling unit. Red LE diode indicates the call was done. It lights until call is reset

CONNECTION:



CURRENT CONSUMPTION:
0.013A / 24V DC

NOTE:
If more calling units type ITCS-C2 is used for same calling place/line they are connected in parallel



Rev	Changes	Date/Sign	Based by-Project	Date	Sign	Title:		
1			Prepared	15.12.09.	Milinoić	CALLING SYSTEM Calling unit ITCS-C2, flush mounting		
2			Drawn	17.06.21.	Bettle			
3			Approved					
4								
5						Identity: 02-06-037	Ref.:	Rev. 0
This drawing is the property of INELTEH d.o.o. and must not be reproduced, copied or distributed, entirely or in part, without written permission of INELTEH d.o.o.			INELTEH RIJEKA - CROATIA			File: ITCS-C2, flush.cdr		Page/of 25a

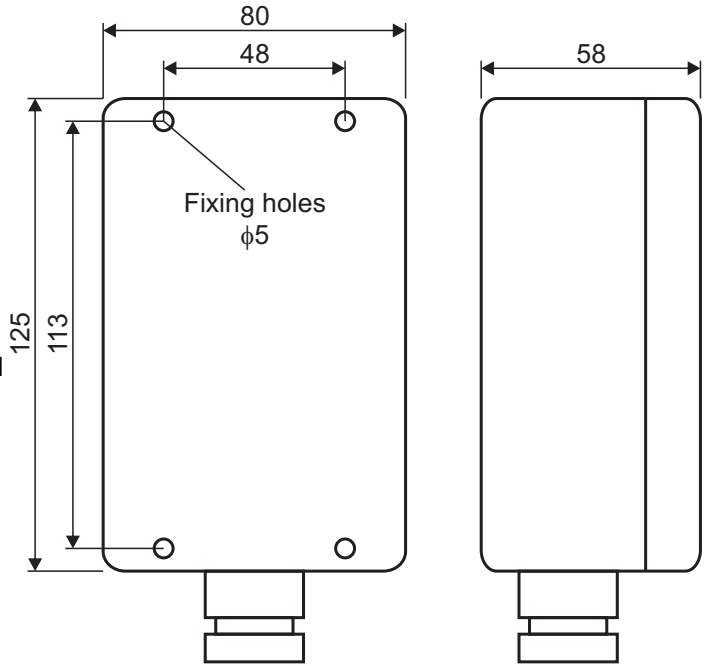
FRONT VIEW:



ILLUMINATED GREEN PUSH-BUTTON FOR CALLING

PG13.5
IP Protection: IP56

OUTLINES:

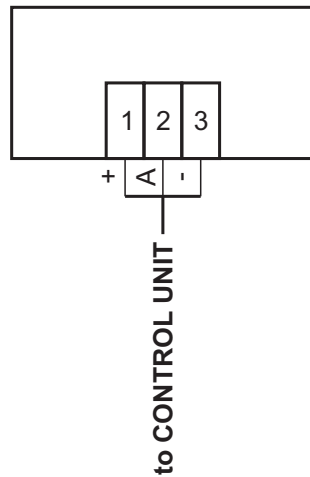


Weight: 0.23kg

DESCRIPTION:

ITCS-C3 is water-resistant (IP 56) illuminated push button for calling. Mostly, it is used for call from refrigerating spaces. Green bulb in push button lights all the time (when system is on), to insure visibility in dark spaces.

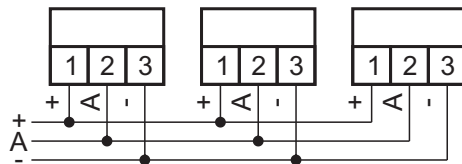
CONNECTION:



CURRENT CONSUMPTION:
0.013A / 24V DC

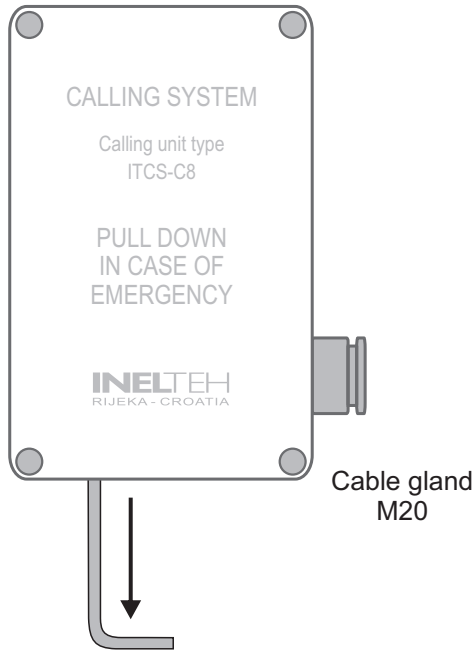
NOTE:

If more calling units type **ITCS-C3** is used for same calling place/line they are connected in parallel

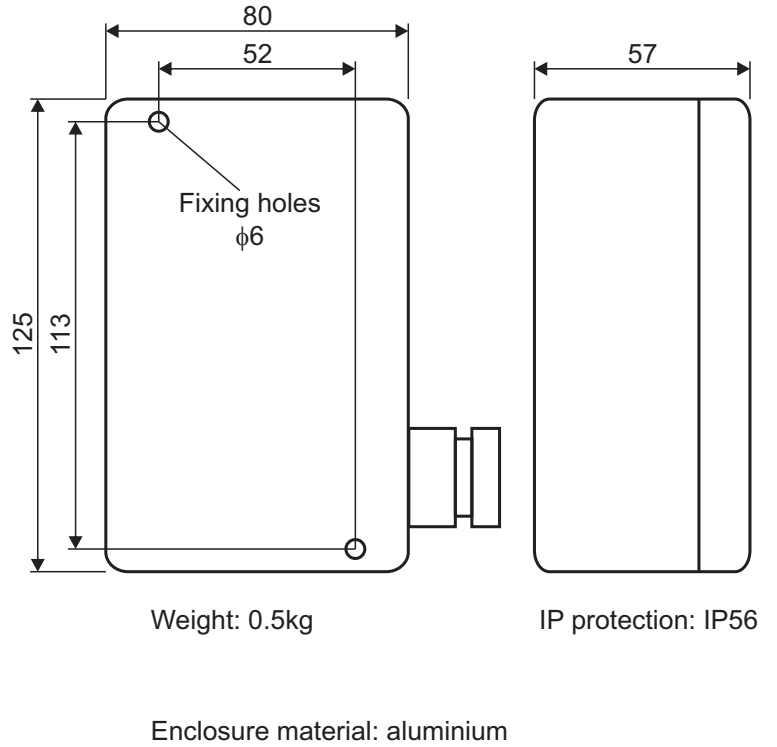


Rev	Changes	Date/Sign	Based by-Project	Date	Sign	Title:		
1			Prepared	15.12.09.	Milinoić	CALLING SYSTEM Calling unit ITCS-C3		
2			Drawn	17.06.21.	Bettle			
3			Approved					
4								
5						Identity: 02-06-010	Ref.:	Rev. 0
This drawing is the property of INELTEH d.o.o. and must not be reproduced, copied or distributed, entirely or in part, without written permission of INELTEH d.o.o.			INELTEH RIJEKA - CROATIA			File: ITCS-C3.cdr		Page/of 26

FRONT VIEW:



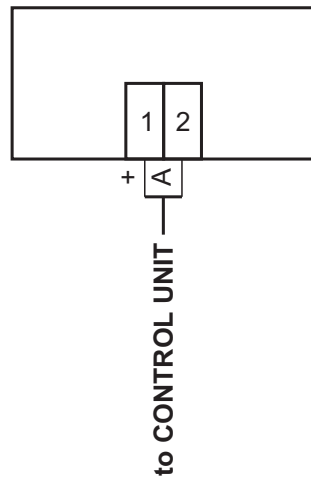
OUTLINES:



DESCRIPTION:

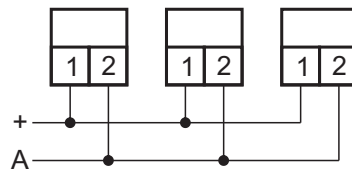
ITCS-C8 is unit for calling, used for call from sauna (high temperature resistant, up to 130°C). Call is done by pulling lever in direction marked with arrow.

CONNECTION:



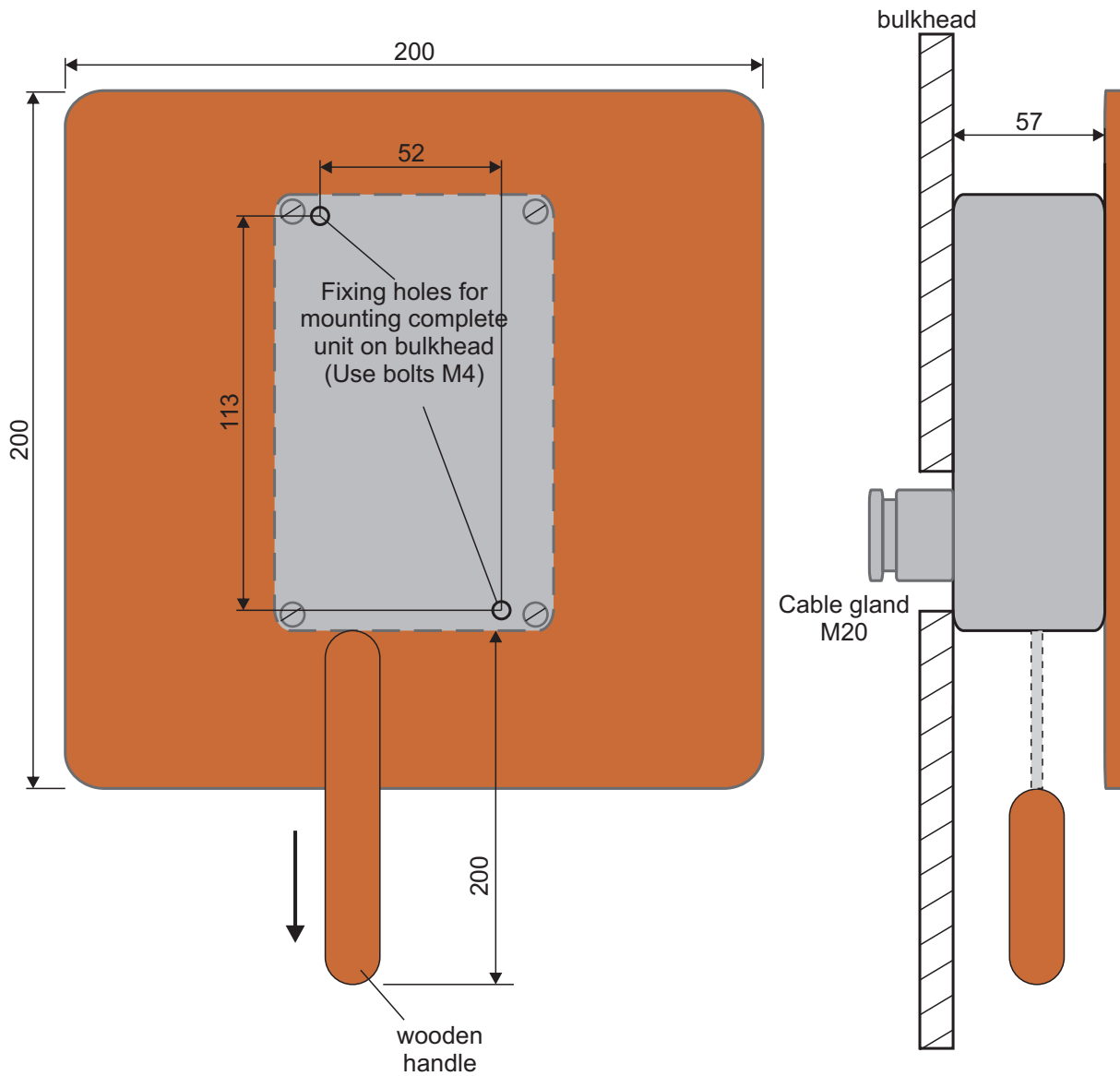
NOTE:

If more calling units type ITCS-C8 is used for same calling place/line they are connected in parallel



Rev	Changes	Date/Sign	Based by-Project	Date	Sign	Title: CALLING SYSTEM		
1			Prepared	13.05.16.	Crnić	Calling unit ITCS-C8		
2			Drawn	17.06.21.	Bettle			
3			Approved					
4								
5						Identity: 02-06-047	Ref.:	Rev. 0
This drawing is the property of INELTEH d.o.o. and must not be reproduced, copied or distributed, entirely or in part, without written permission of INELTEH d.o.o.			INELTEH RIJEKA - CROATIA			File: ITCS-C8.cdr		Page/of 27

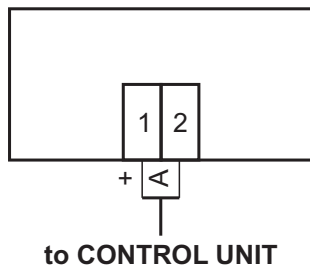
FRONT VIEW:



DESCRIPTION:

ITCS-C8 is unit for calling used for call from sauna (high temperature resistant). Call is done by pulling wooden handle in direction marked with arrow

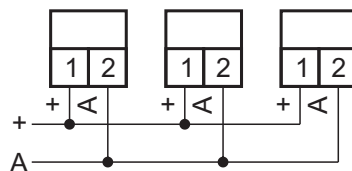
CONNECTION:



Material: aluminium enclosure/wood
IP protection: IP56

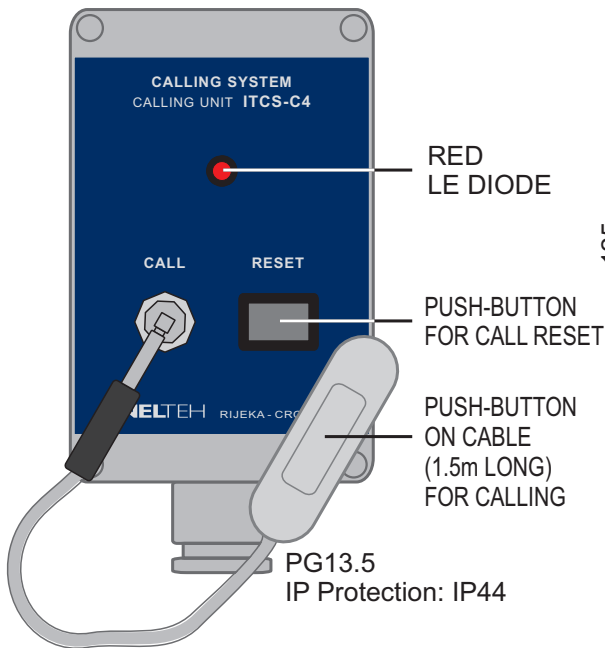
NOTE:

If more calling units type ITCS-C8 is used for same calling place/line they are connected in parallel

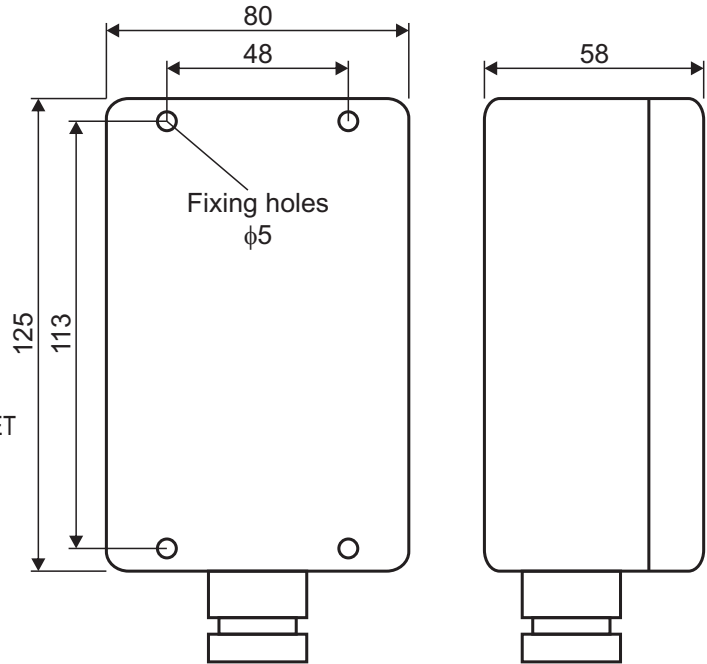


Rev	Changes	Date/Sign	Based by-Project	Date	Sign	Title:		
1						CALLING SYSTEM Calling unit ITCS-C8 with wooden handle		
2			Prepared	18.05.16.	Crnić			
3			Drawn	17.06.21.	Bettle			
4			Approved					
5								
This drawing is the property of INELTEH d.o.o. and must not be reproduced, copied or distributed, entirely or in part, without written permission of INELTEH d.o.o.			INELTEH RIJEKA - CROATIA		Identity:	02-06-051	Ref.:	Rev. 0
						File:	ITCS-C8, wooden handle.cdr	Page/of 28

FRONT VIEW:



OUTLINES:

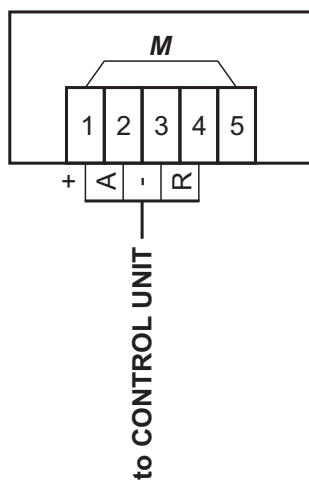


Weight: 0.34kg

DESCRIPTION:

ITCS-C4 is unit for calling and call reset. It is mostly used near hospital's bed. A call is done by "CALL" push button on cable and it is indicated by red LE diode. The call can be accepted on control or repeater unit. Audio signalization goes off, but visual indication remains until call is reset. Reset of call can be done by push button "RESET", situated on the front of this calling unit. This ensures that someone should actually come to the place of call, and if there is no longer need for call, the call can be canceled. When push button on cable is connected or disconnected to/from the ITCS-C4, call alarm is also activated.

CONNECTION:

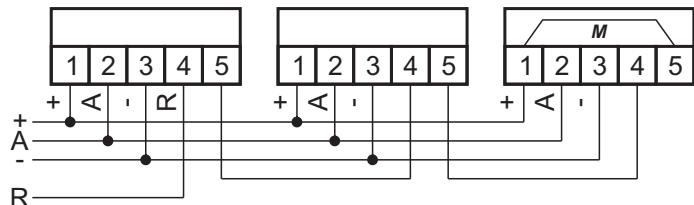


CURRENT CONSUMPTION:

0.013A / 24V DC

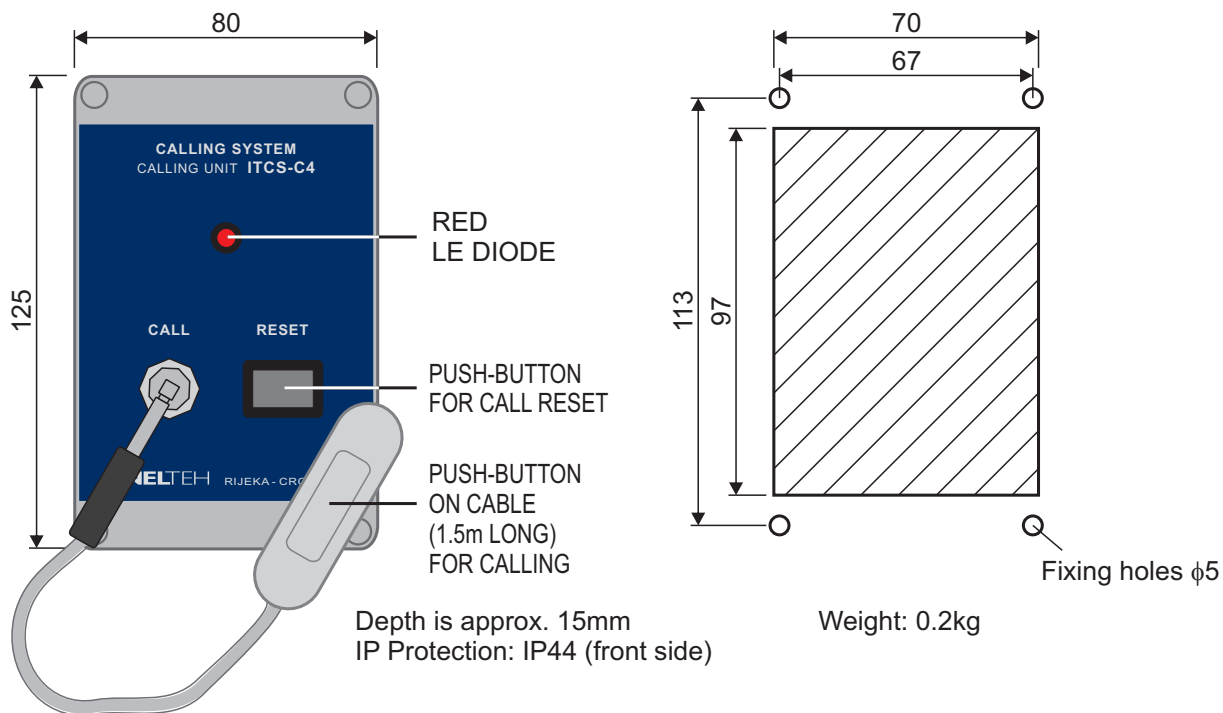
NOTE:

If more calling units type ITCS-C4, C5 or C6 is used for same calling place/line, terminals 1,2,3 are connected in parallel and terminals 4,5 in series. Put link **M** on last unit in chain.



Rev	Changes	Date/Sign	Based by-Project	Date	Sign	Title:		
1						CALLING SYSTEM Calling and reset unit ITCS-C4		
2			Prepared	21.02.11.	Milinović			
3			Drawn	17.06.21.	Bettle			
4			Approved					
5								
This drawing is the property of INELTEH d.o.o. and must not be reproduced, copied or distributed, entirely or in part, without written permission of INELTEH d.o.o.			INELTEH RIJEKA - CROATIA		Identity:	02-06-019	Ref.:	Rev. 0
						File:	ITCS-C4.cdr	Page/of 29

FRONT VIEW / OUTLINES / CONSOLE CUT-OUT:

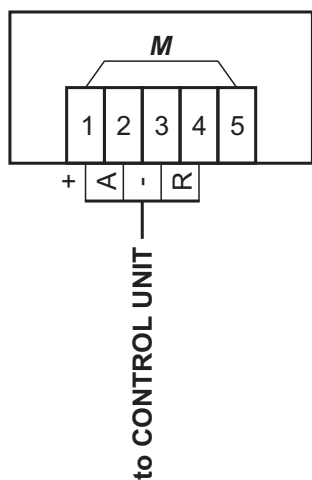


NOTE: The unit is the same as bulkhead mounted version, but without back-box. Connection terminals are delivered on original wire form 0.5m long.

DESCRIPTION:

ITCS-C4 is unit for calling and call reset. It is mostly used near hospital's bed. A call is done by "CALL" push button on cable and it is indicated by red LE diode. The call can be accepted on control or repeater unit. Audio signalization goes off, but visual indication remains until call is reset. Reset of call can be done by push button "RESET", situated on the front of this calling unit. This ensures that someone should actually come to the place of call, and if there is no longer need for call, the call can be canceled. When push button on cable is connected or disconnected to/from the ITCS-C4, call alarm is also activated.

CONNECTION:

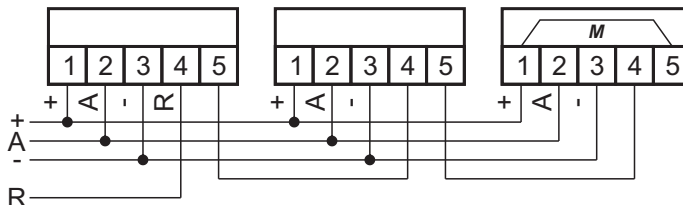


CURRENT CONSUMPTION:

0.013A / 24V DC

NOTE:

If more calling units type ITCS-C4, C5 or C6 is used for same calling place/line, terminals 1,2,3 are connected in parallel and terminals 4,5 in series. Put link M on last unit in chain.

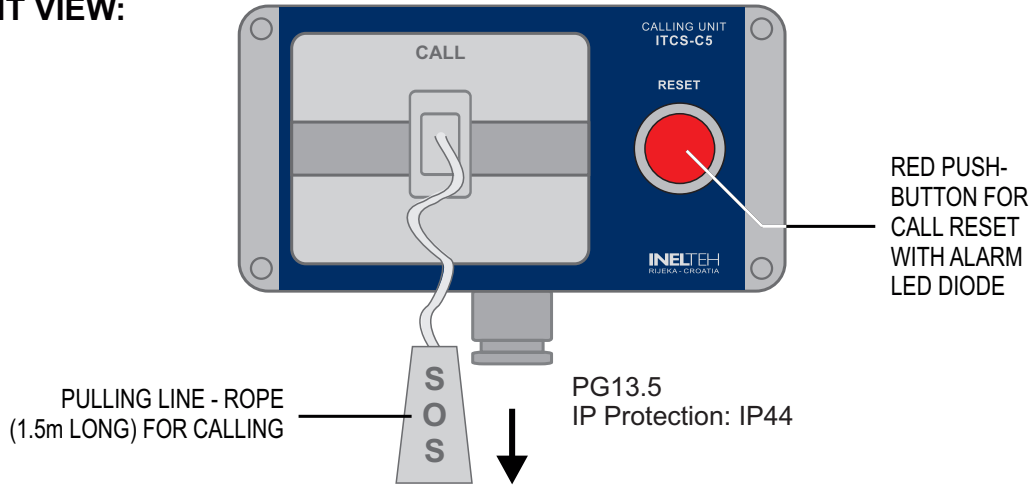


Rev	Changes	Date/Sign	Based by-Project	Date	Sign	Title: CALLING SYSTEM		
1			Prepared	07.04.14.	Milinoić	Calling and reset unit ITCS-C4, flush mounting		
2			Drawn	17.06.21.	Bettle	Identity:	Ref.:	Rev. 0
3			Approved			02-06-040		
4						File:		Page/of 29a
5						ITCS-C4, flush.cdr		

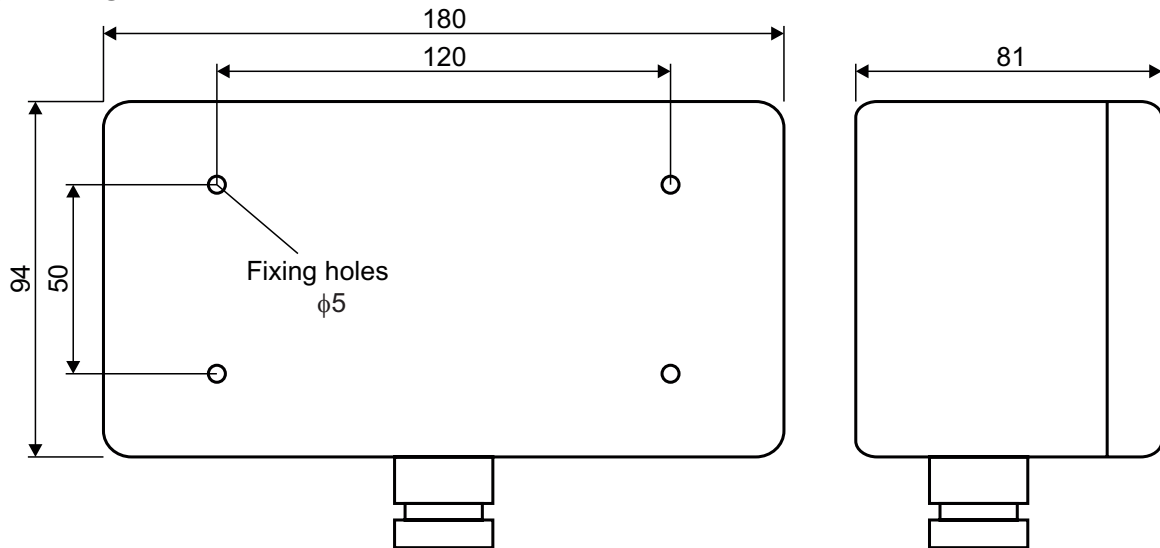
This drawing is the property of INELTEH d.o.o. and must not be reproduced, copied or distributed, entirely or in part, without written permission of INELTEH d.o.o.

INELTEH
RIJEKA - CROATIA

FRONT VIEW:



OUTLINES:

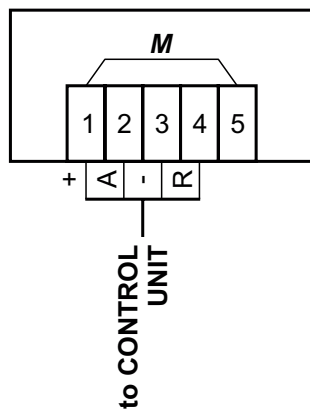


Weight: 0.48kg

DESCRIPTION:

ITCS-C5 is unit for calling and call reset. Call is done by pulling line - rope in direction marked with arrow. When call is done, red bulb situated in "RESET" push button is lighted up. Call reset can be done by that push button. After call is reset, red light goes off.

CONNECTION:

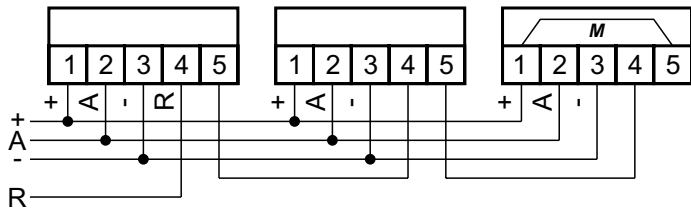


CURRENT CONSUMPTION:

0.013A / 24V DC

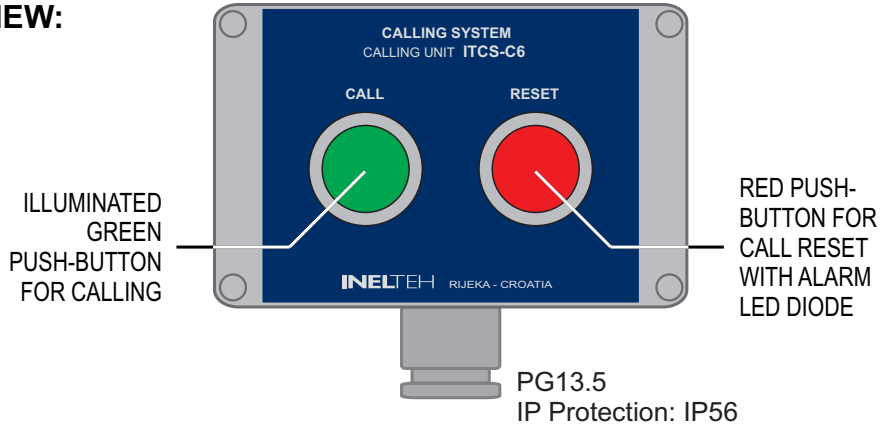
NOTE:

If more calling units type **ITCS-C4, C5 or C6** is used for same calling place/line, terminals **1,2,3** are connected in parallel and terminals **4,5** in series. Put link **M** on last unit in chain.

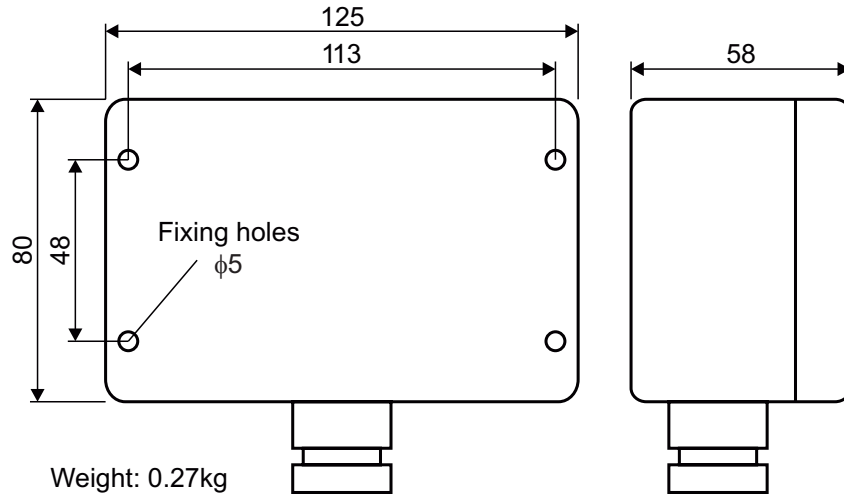


Rev	Changes	Date/Sign	Based by-Project	Date	Sign	Title:		
1						CALLING SYSTEM Calling and reset unit ITCS-C5		
2			Prepared	22.03.12.	Milinović			
3			Drawn	17.06.21.	Bettle			
4			Approved					
5								
This drawing is the property of INELTEH d.o.o. and must not be reproduced, copied or distributed, entirely or in part, without written permission of INELTEH d.o.o.			INELTEH RIJEKA - CROATIA		Identity:	02-06-024	Ref.:	
						File:	ITCS-C5.cdr	Rev. 0
								Page/of 30

FRONT VIEW:



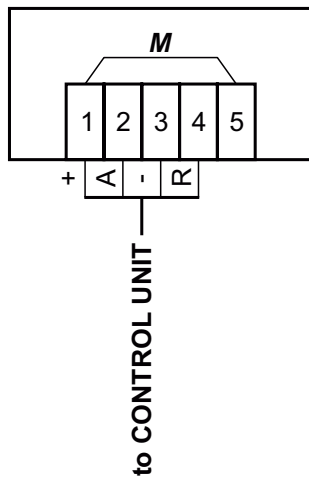
OUTLINES:



DESCRIPTION:

ITCS-C6 is water-resistant (IP 56) unit for calling and call reset. Call is done with illuminated green "CALL" push button. When call is done, red bulb situated in "RESET" push button is lighted up. Call reset can be done by that push button. After call is reset, red light goes off. Green bulb in "CALL" push button lights all the time (when system is on), to insure visibility in dark spaces.

CONNECTION:

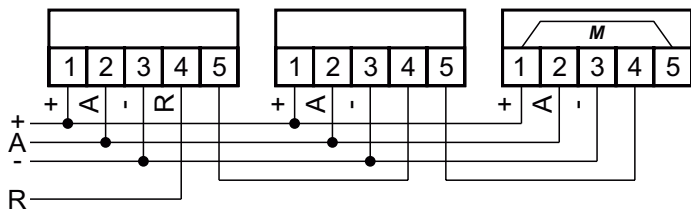


CURRENT CONSUMPTION:

0.026A / 24V DC

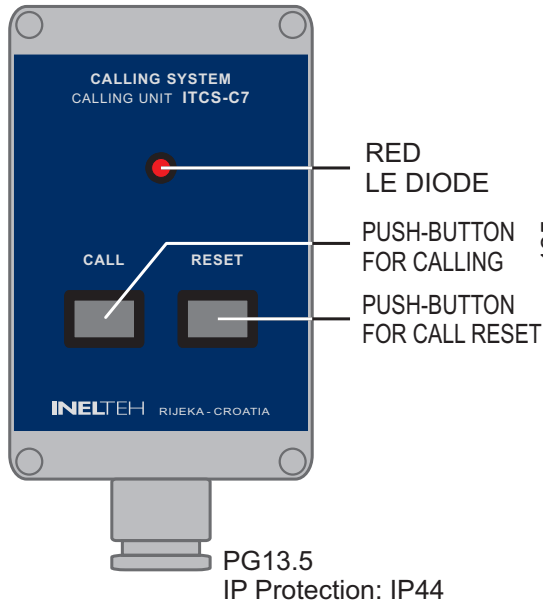
NOTE:

If more calling units type **ITCS-C4, C5 or C6** is used for same calling place/line, terminals **1,2,3** are connected in parallel and terminals **4,5** in series. Put link **M** on last unit in chain.

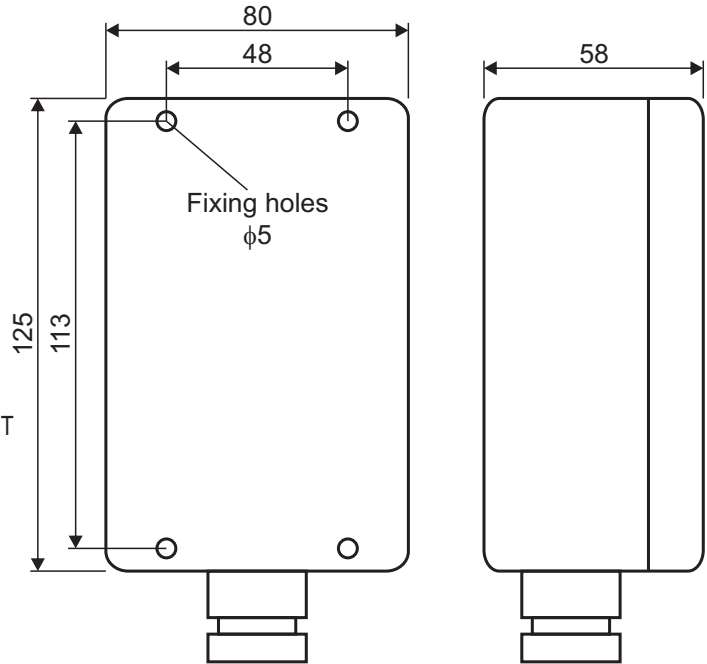


Rev	Changes	Date/Sign	Based by-Project	Date	Sign	Title:		
1						CALLING SYSTEM Calling and reset unit ITCS-C6		
2			Prepared	16.02.11.	Milinović			
3			Drawn	17.06.21.	Bettle			
4			Approved					
5								
This drawing is the property of INELTEH d.o.o. and must not be reproduced, copied or distributed, entirely or in part, without written permission of INELTEH d.o.o.			INELTEH RIJEKA - CROATIA		Identity:	02-06-025	Ref.:	Rev. 0
						File:	ITCS-C6.cdr	Page/of 31

FRONT VIEW:



OUTLINES:

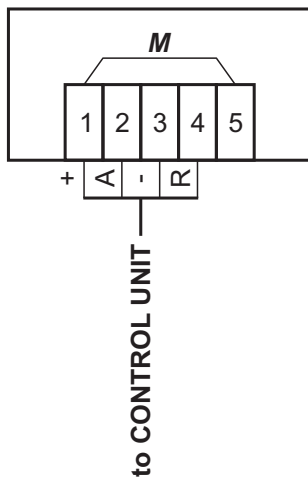


Weight: 0.34kg

DESCRIPTION:

ITCS-C7 is unit for calling and call reset. A call is done by "CALL" push button situated on the front of the calling unit.
The call can be accepted on control or repeater unit. Audio signalization goes off, but visual indication remains until call is reset. Reset of call can be done by push button "RESET", situated on the front of this calling unit. This ensures that someone should actually come to the place of call, and if there is no longer need for call, the call can be canceled.

CONNECTION:

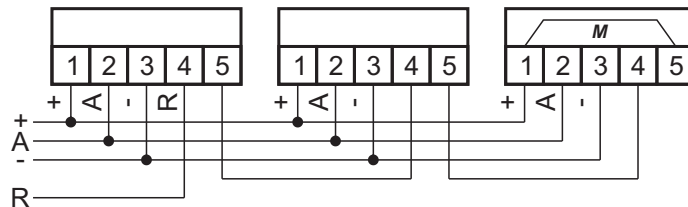


CURRENT CONSUMPTION:

0.013A / 24V DC

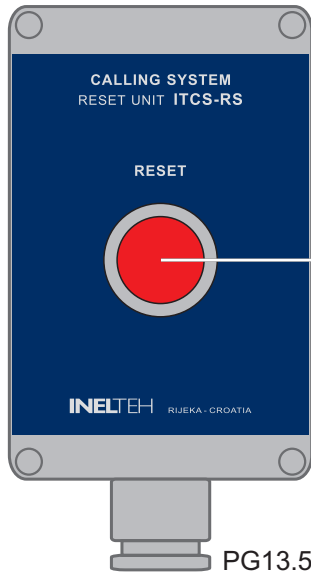
NOTE:

If more calling units type ITCS-C4, C5, C6 or C7 is used for same calling place/line, terminals 1,2,3 are connected in parallel and terminals 4,5 in series. Put link *M* on last unit in chain.



Rev	Changes	Date/Sign	Based by-Project	Date	Sign	Title:		
1			Prepared	02.06.14.	Milinović	<p align="center">CALLING SYSTEM</p> <p align="center">Calling unit ITCS-C7</p>		
2			Drawn	17.06.21.	Bettle			
3			Approved					
4								
5						Identity: 02-06-046	Ref.:	Rev. 0
<p>This drawing is the property of INELTEH d.o.o. and must not be reproduced, copied or distributed, entirely or in part, without written permission of INELTEH d.o.o.</p>			<p align="center">INELTEH RIJEKA - CROATIA</p>			File: ITCS-C7.cdr		Page/of 32

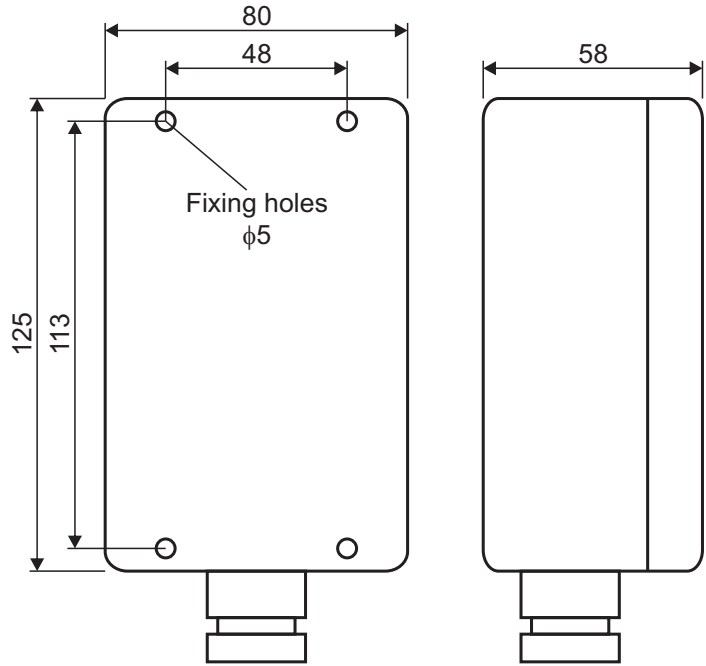
FRONT VIEW:



RED PUSH-BUTTON FOR CALL RESET WITH ALARM LED DIODE

PG13.5
IP Protection: IP56

OUTLINES:

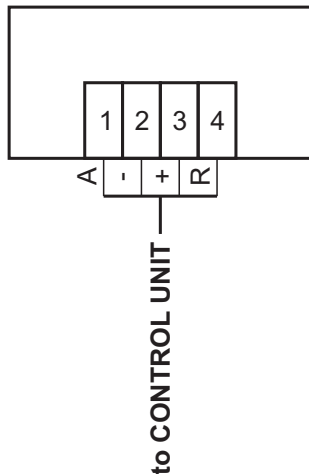


Weight: 0.23kg

DESCRIPTION:

ITCS-RS is water-resistant (IP 56) push button for call reset. Mostly, it is used in combination with calling unit type ITCS-C3, but also can be used for common reset in case when more calling units in one room is necessary. When call alarm is done, red alarm LE diode situated in "RESET" push button is lighted up. To insure that someone will really respond, call can be reset only by this push button. After call is reset, red light goes off.

CONNECTION:

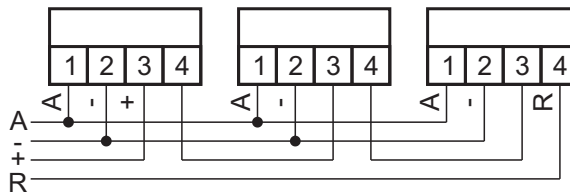


CURRENT CONSUMPTION:

0.013A / 24V DC

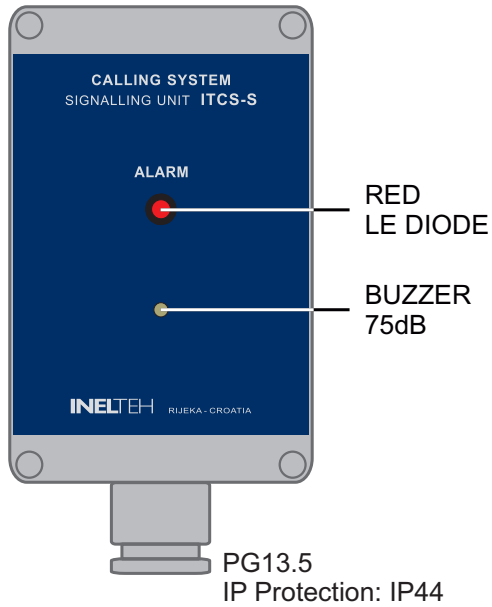
NOTE:

If more reset units type ITCS-RS is used, terminals 1,2 are connected in parallel and terminals 3,4 in series

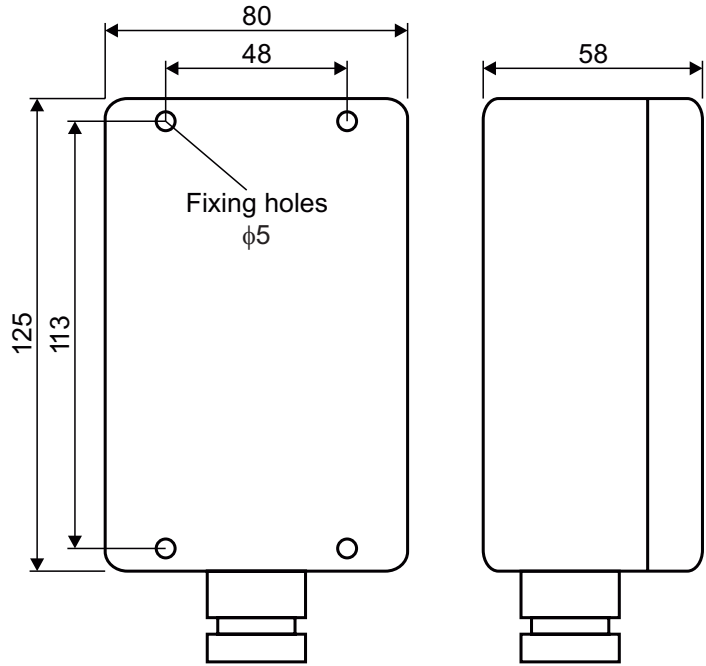


Rev	Changes	Date/Sign	Based by-Project	Date	Sign	Title:		
1						CALLING SYSTEM Reset unit ITCS-RS		
2			Prepared	16.02.11.	Milinović			
3			Drawn	17.06.21.	Bettle			
4			Approved					
5								
This drawing is the property of INELTEH d.o.o. and must not be reproduced, copied or distributed, entirely or in part, without written permission of INELTEH d.o.o.			INELTEH RIJEKA - CROATIA		Identity:	02-06-020	Ref.:	Rev. 0
						File:	ITCS-RS.cdr	Page/of 33

FRONT VIEW:



OUTLINES:

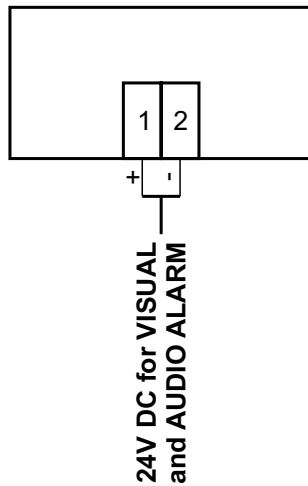


Weight: 0.24kg

DESCRIPTION:

ITCS-S is signalling unit for indication of call. Red LE diode and buzzer indicate call. Audio and visual signalization are active, until 24V DC is present on connection terminals.

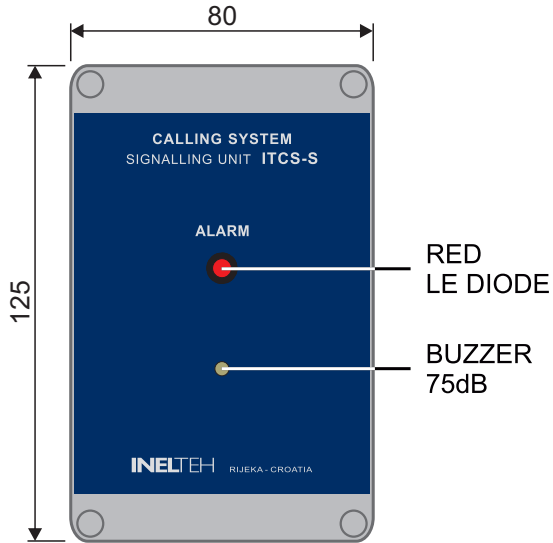
CONNECTION:



CURRENT CONSUMPTION:
0.042A / 24V DC

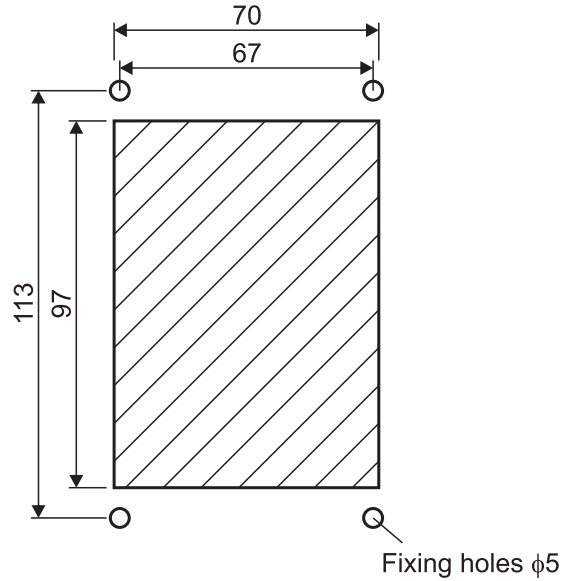
Rev	Changes	Date/Sign	Based by-Project	Date	Sign	Title:		
1			Prepared	16.02.11.	Milinović	CALLING SYSTEM Signalling unit ITCS-S		
2			Drawn	17.06.21.	Bettle			
3			Approved					
4								
5						Identity: 02-06-011	Ref.:	Rev. 0
This drawing is the property of INELTEH d.o.o. and must not be reproduced, copied or distributed, entirely or in part, without written permission of INELTEH d.o.o.			INELTEH RIJEKA - CROATIA			File: ITCS-S.cdr		Page/of 34

FRONT VIEW:



Depth is approx. 15mm
IP Protection: IP44 (front side)

OUTLINES:



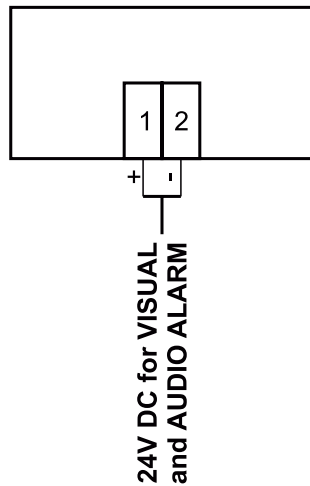
Weight: 0.24kg

NOTE: The unit is the same as bulkhead mounted version, but without back-box. Connection terminals are delivered on original wire form 0.5m long.

DESCRIPTION:

ITCS-S is signalling unit for indication of call. Red LE diode and buzzer indicate call. Audio and visual signalization are active, until 24V DC is present on connection terminals.

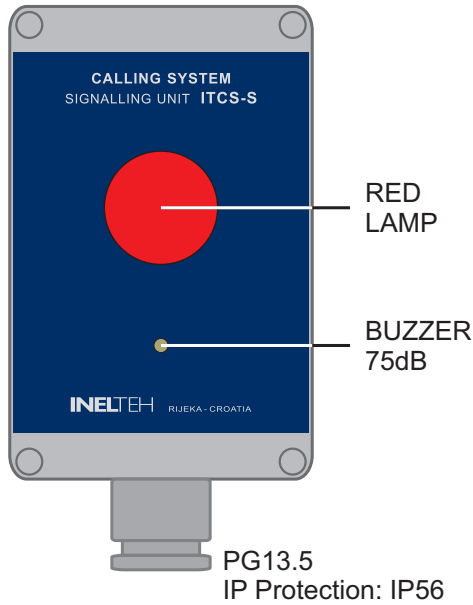
CONNECTION:



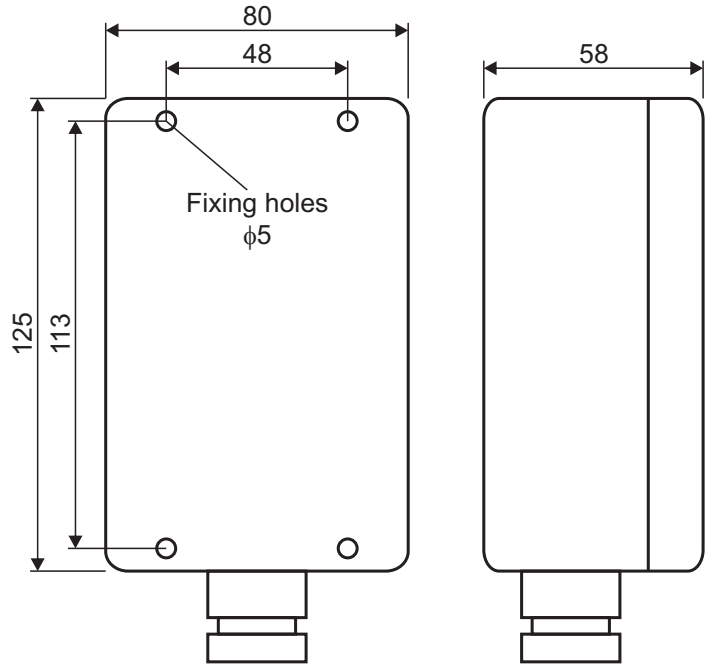
CURRENT CONSUMPTION:
0.042A / 24V DC

Rev	Changes	Date/Sign	Based by-Project	Date	Sign	Title:		
1			Prepared	18.02.20.	Bettle	CALLING SYSTEM Signalling unit ITCS-S, flush mounting		
2			Drawn					
3			Approved					
4								
5								
This drawing is the property of INELTEH d.o.o. and must not be reproduced, copied or distributed, entirely or in part, without written permission of INELTEH d.o.o.			INELTEH RIJEKA - CROATIA			Identity: 02-06-038	Ref.:	Rev. 0
						File: ITCS-S, flush.cdr		Page/of 34a

FRONT VIEW:



OUTLINES:

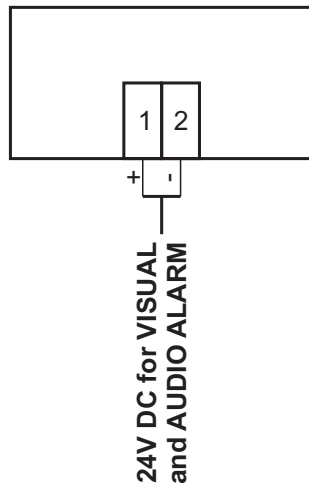


Weight: 0.3kg

DESCRIPTION:

ITCS-S is signaling unit for indication of call. Red lamp and buzzer indicate call. Audio and visual signalization are active, until 24V DC is present on connection terminals.

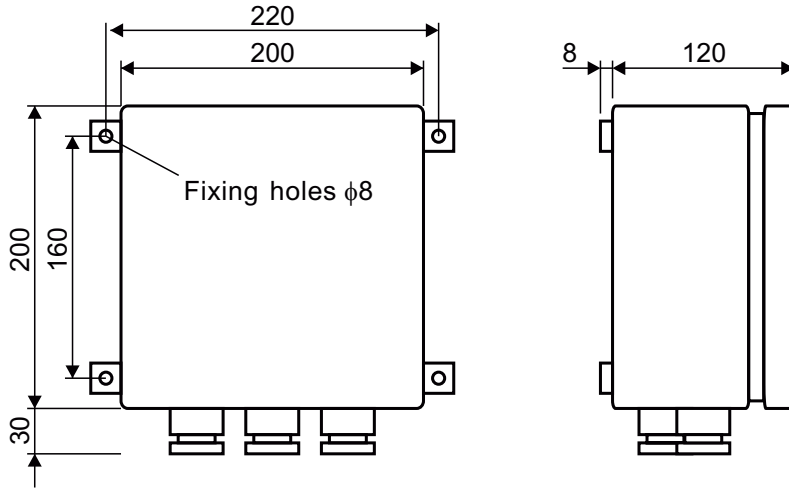
CONNECTION:



CURRENT CONSUMPTION:
0.042A / 24V DC

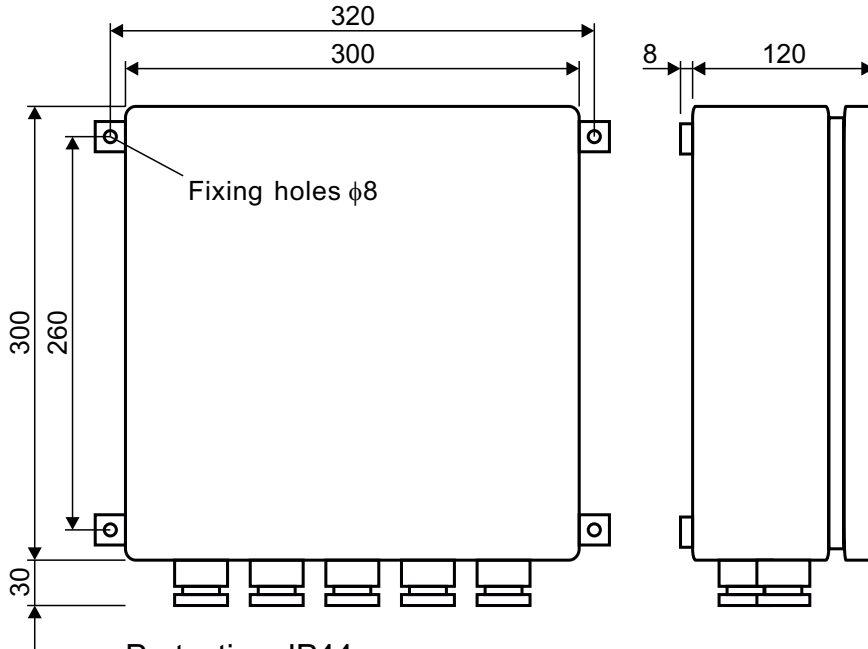
Rev	Changes	Date/Sign	Based by-Project	Date	Sign	Title:		
1						CALLING SYSTEM Signalling unit ITCS-S, IP56		
2			Prepared	24.01.17.	Milinović			
3			Drawn	17.06.21.	Bettle			
4			Approved					
5								
This drawing is the property of INELTEH d.o.o. and must not be reproduced, copied or distributed, entirely or in part, without written permission of INELTEH d.o.o.			INELTEH RIJEKA - CROATIA		Identity:	02-06-055	Ref.:	Rev. 0
					File:	ITCS-S IP56.cdr		Page/of 35

OUTLINES - box for bulkhead mounting 200x200x120 (code 05-04-003):



Protection: IP44

OUTLINES - box for bulkhead mounting 300x300x120 (code 05-04-002):



Protection: IP44

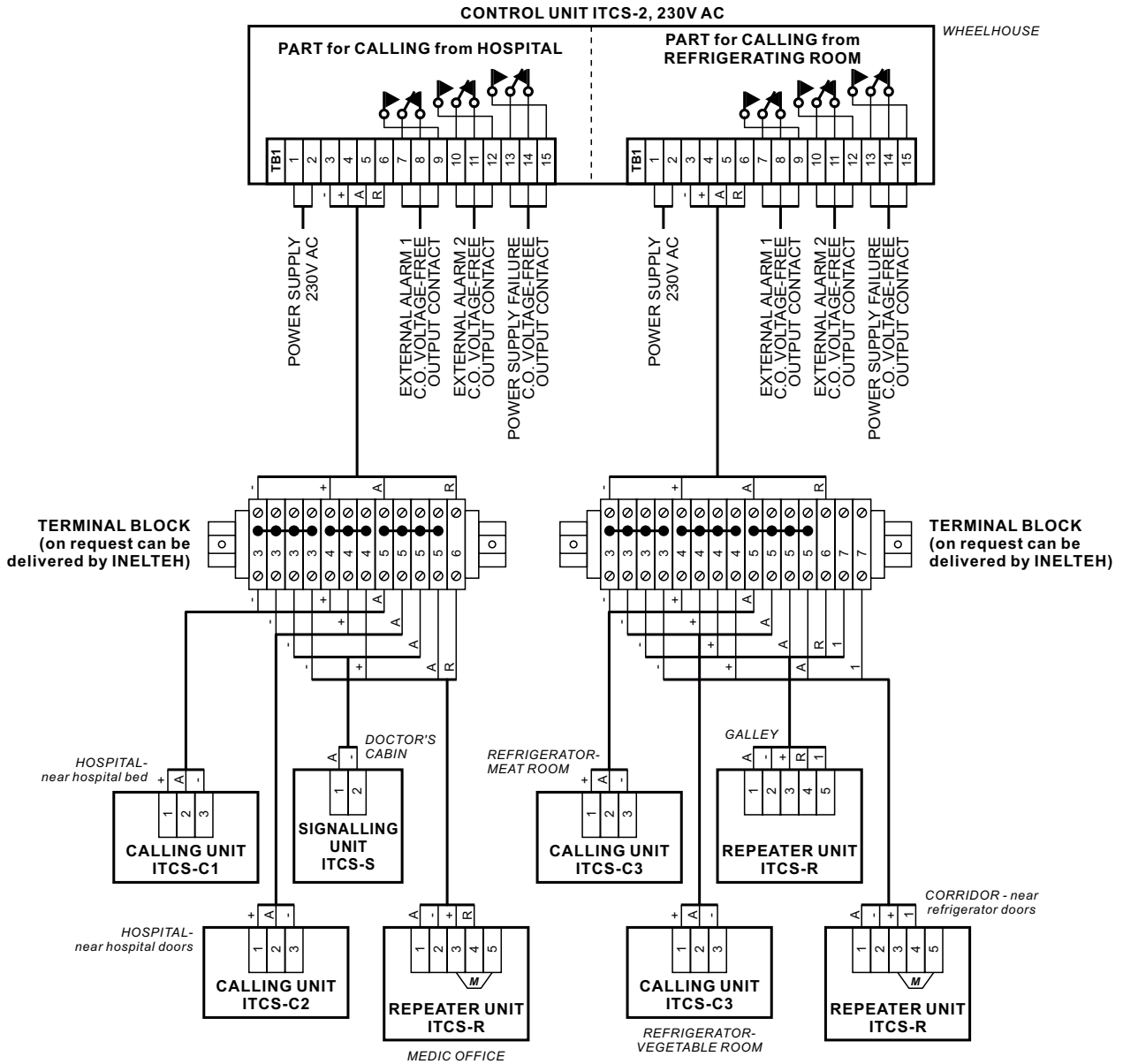
NOTES:

- Box 200x200x120 is used for control units type ITCS-1 and ITCS-1A bulkhead mounting.
- Box 300x300x120 is used for control units type ITCS-2, ITCS-2A and ITCS-1A-5/10/15 and repeater units ITCS-1A-5/10/15-R bulkhead mounting.
- Control unit / repeater unit is already assembled on the box.
- Type of unit has to be specified in the order.
- Number and size of cable glands is defined in separate leaflets.
- On special request it can be adjusted to specific project requirements.

Rev	Changes	Date/Sign	Based by-Project	Date	Sign	Title:				
1			Prepared	10.06.21.	Bettle	CALLING SYSTEM Box for bulkhead mounting, outlines				
2			Drawn							
3			Approved							
4										
5										
This drawing is the property of INELTEH d.o.o. and must not be reproduced, copied or distributed, entirely or in part, without written permission of INELTEH d.o.o.					Identity:	05-04-003/05-04-002	Ref.:		Rev.	0
						File:	ITCS-1A,2A box for bulkhead mounting, outlines.cdr		Page/of	36

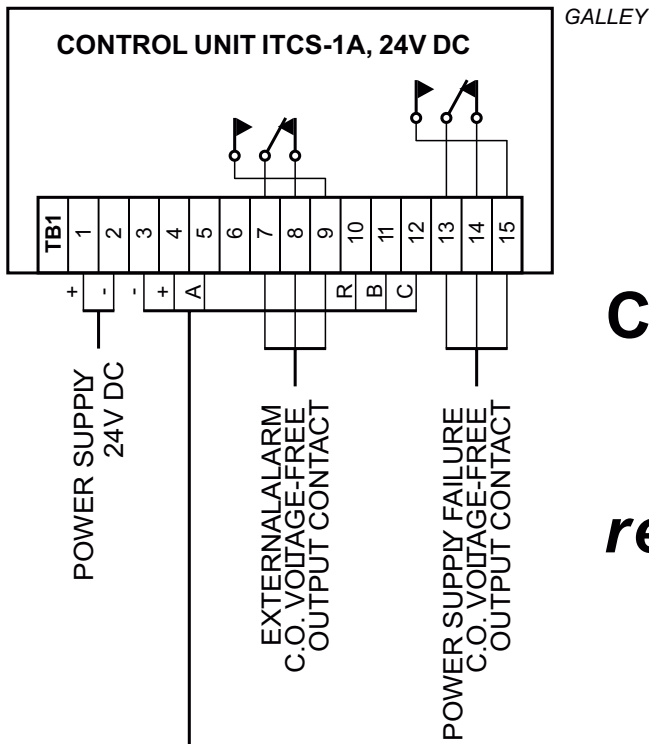
CALLING SYSTEM TYPE ITCS

Call from hospital and refrigerating room



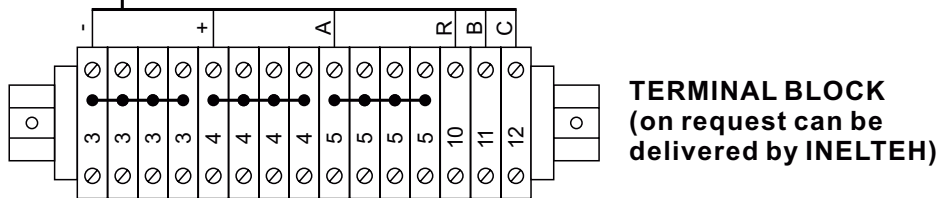
Rev	Changes	Date/Sign	Based by-Project	Date	Sign	Title: CALLING SYSTEM Example 1 of connection diagram
1			Prepared	18.02.11.	Milinović	
2			Drawn			
3			Approved			
4						
5						

This drawing is the property of INELTEH d.o.o. and must not be reproduced, copied or distributed, entirely or in part, without written permission of INELTEH d.o.o.	INELTEH RIJEKA - CROATIA	Identity:	Ref.:	Rev. 0
		File: ITCS, connection, example 1.cdr		Page/of 37

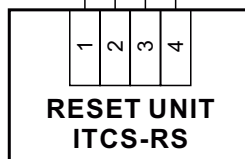
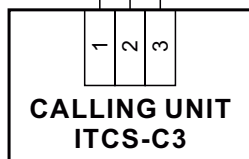


CALLING SYSTEM TYPE ITCS-A

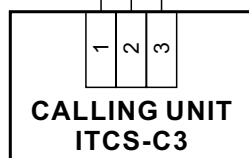
Call from refrigerating room



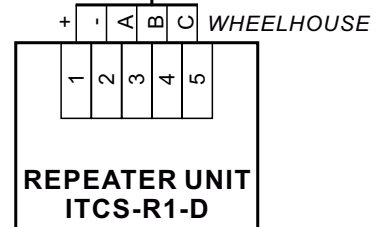
REFRIGERATOR-
MEAT ROOM



CORRIDOR - near
refrigerator doors



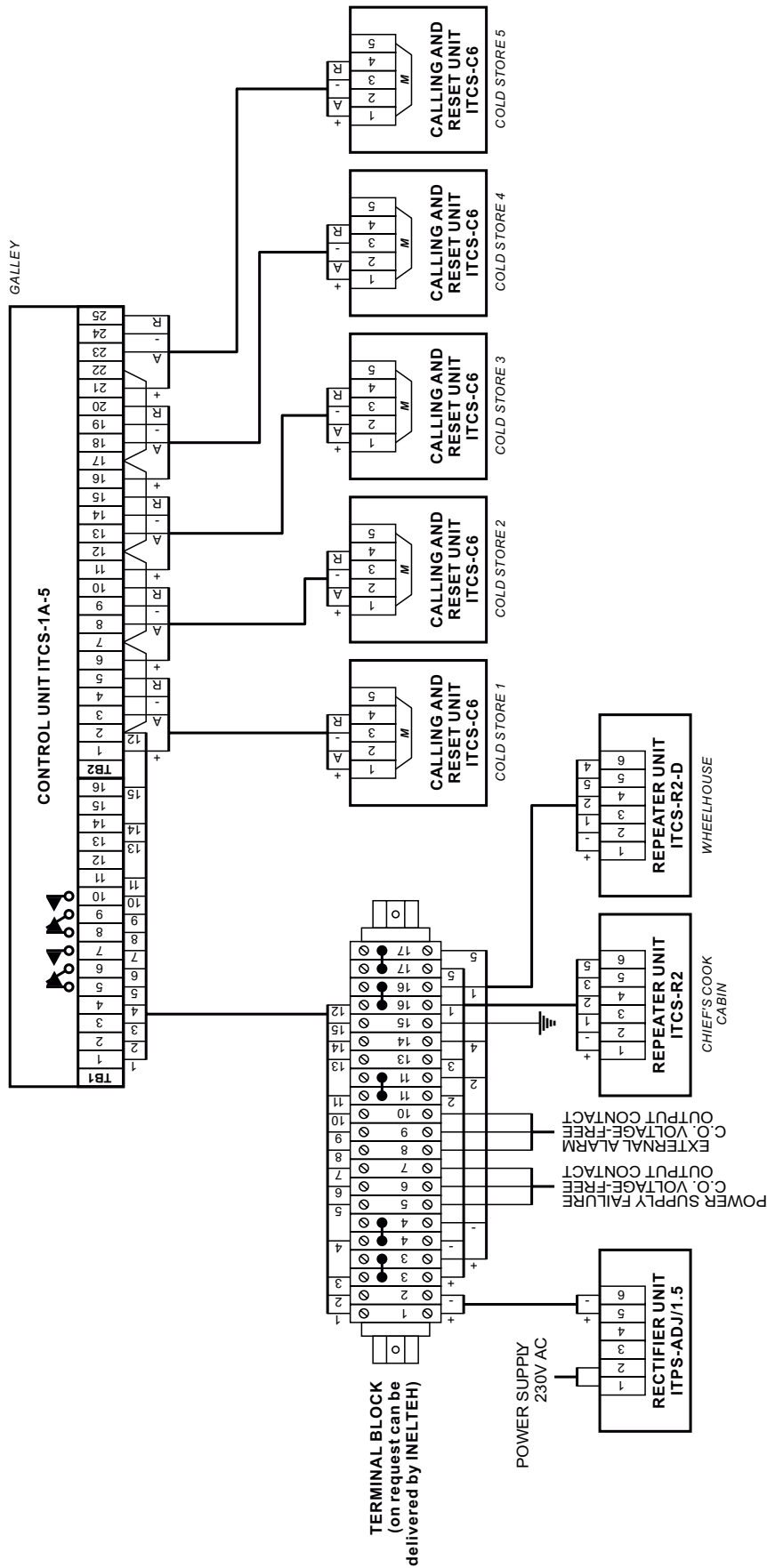
REFRIGERATOR-
VEGETABLE ROOM



Rev	Changes	Date/Sign	Based by- Project	Date	Sign	Title:		
1			Prepared	28.02.11.	Milinović	<h2 style="text-align: center;">CALLING SYSTEM</h2> <p style="text-align: center;">Example 2 of connection diagram</p>		
2			Drawn					
3			Approved					
4								
5								
<small>This drawing is the property of INELTEH d.o.o. and must not be reproduced, copied or distributed, entirely or in part, without written permission of INELTEH d.o.o.</small>			 RIJEKA - CROATIA		Identity:	Ref.:	Rev. 0	
						File: ITCS, connection, example 2.cdr	Page/of 38	

CALLING SYSTEM TYPE ITCS-A

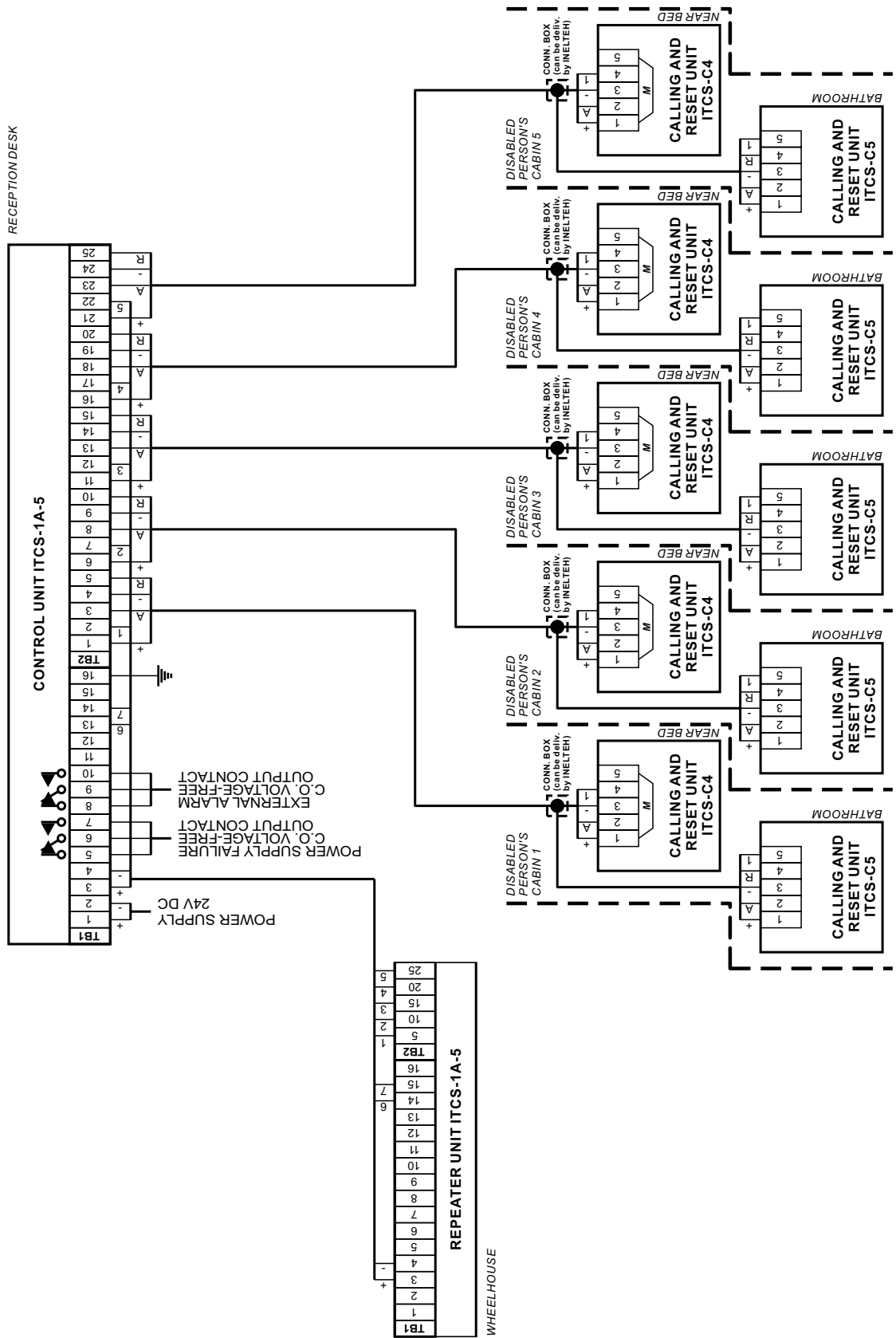
Call from refrigerating room



Rev	Changes	Date/Sign	Based by-Project	Date	Sign	Title:		
1						CALLING SYSTEM Example 3 of connection diagram		
2			Prepared	21.02.11.	Milinović			
3			Drawn					
4			Approved					
5								
This drawing is the property of INELTEH d.o.o. and must not be reproduced, copied or distributed, entirely or in part, without written permission of INELTEH d.o.o.			INELTEH RIJEKA - CROATIA		Identity:	Ref.:	Rev. 0	
						File: ITCS, connection, example 3.cdr	Page/of 39	

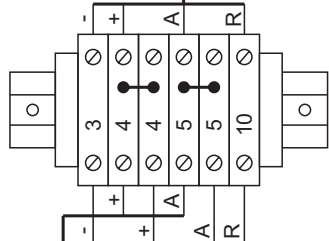
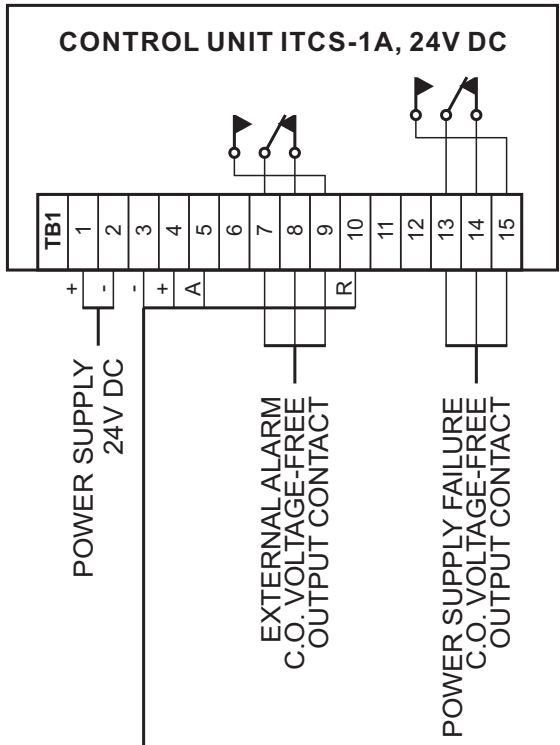
CALLING SYSTEM TYPE ITCS-A

Call from cabins for disabled persons

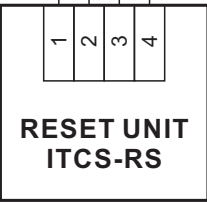
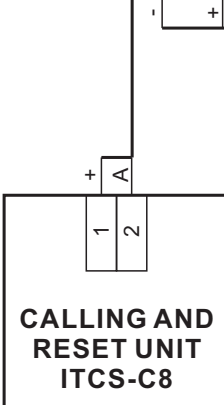


Rev	Changes	Date/Sign	Based by-Project	Date	Sign	Title:	Identity:	Ref.:	Rev.
1						CALLING SYSTEM Example 4 of connection diagram			0
2			Prepared	21.02.11.	Milinović				
3			Drawn						
4			Approved						
5									
This drawing is the property of INELTEH d.o.o. and must not be reproduced, copied or distributed, entirely or in part, without written permission of INELTEH d.o.o.			INELTEH RIJEKA - CROATIA			File:	ITCS, connection, example 4.cdr		Page/of 40

WHEELHOUSE



TERMINAL BLOCK
(on request can be delivered by INELTEH)



SAUNA

IN FRONT OF SAUNA

Rev	Changes	Date/Sign	Based by-Project	Date	Sign	Title:		
1			Prepared	21.02.11.	Milinović	<p align="center">CALLING SYSTEM</p> <p align="center">Example 5 of connection diagram</p>		
2			Drawn					
3			Approved					
4								
5								
This drawing is the property of INELTEH d.o.o. and must not be reproduced, copied or distributed, entirely or in part, without written permission of INELTEH d.o.o.			INELTEH RIJEKA - CROATIA		Identity:	Ref.:	Rev. 0	
						File: ITCS, connection, example 5.cdr		Page/of 41

CALLING SYSTEM

BASIC SPARE PARTS SET

For control unit ITCS-1, control unit ITCS-1A

1. FUSE 0,63 AF 2 pcs

For control unit ITCS-2, control unit ITCS-2A

1. FUSE 0,63 AF 4 pcs

For control unit ITCS-1A-5, ITCS-1A-10, ITCS-1A-15

1. FUSE 1 AF 2 pcs