

TETRA Band selective Mini repeater



Features

- Small size • High gain • Low power consumption
- Easy installation

Options

- Different frequency ranges • Monitoring via GSM-modem
- 230 V power supply unit • UPS power supply

Description

Radiosystem's compact off-air band selective repeater is, in most cases, installed indoors to improve the in-building TETRA coverage. The repeater's two antenna connectors are connected to the an external antenna and to the in-door antenna.

In the basic version the repeater can be monitored locally using RSE (Repeater executive software). Alarms can be monitored remotely via an external alarm system on site or via a GSM/UMTS network.

The repeater can be supplied with Radiosystem's battery backup.

For easy installation, the repeater is delivered with an illustrative installation software.

Specification

Electrical

Frequency band	380–430 MHz
Bandwidth	5 MHz
Pass band ripple	< +/- 1,5 dB
Delay	Typical < 1µs
Down link power per carrier	19 dBm @ 2 carriers
Up link power per carrier	19 dBm @ 2 carriers
Spurious and harmonics	< -36 dBm
Gain UL/DL	70 dB
Gain adjustment	30 dB in 1 dB step
In/output return loss	> 12 dB
Impedance	50Ω
Noise figure	< 4 dB
Uplink AGC	40 dB
Power supply	13–48 VDC (MP-122M)
Power consumption	< 30W

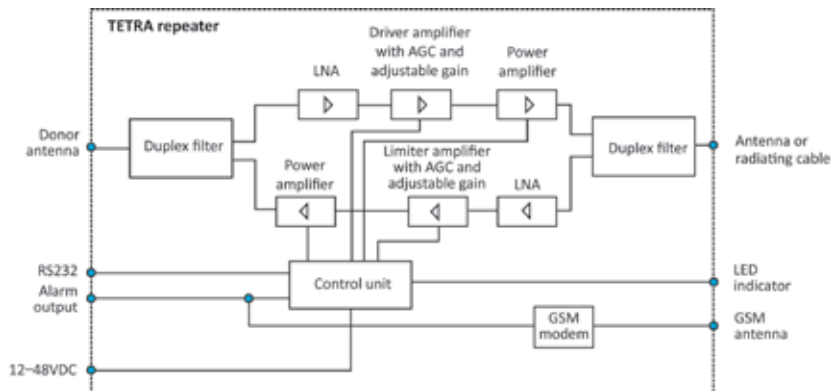
Mechanical

Dimensions	410 x 250 x 130 mm
Weight	10 kg
Protection class	IP51
Operating temperature	-10 to +55°C
RF connectors	N-female
PC connector	RS232 and Ethernet
GSM-antenna connector	TNC-female
Alarm output	NO and NC (3 pol mini-DIN)

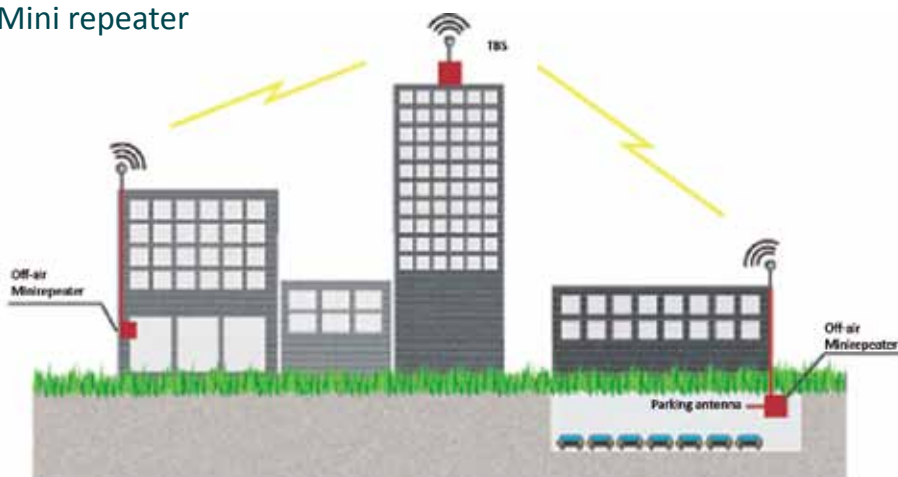
Radiosystem's Best Practice Continual Improvement Program means this data may be subject to alteration.

TETRA Band selective Mini repeater

Block diagram



Typical use of Mini repeater



Ordering information

Article	Type	Description
270150	MBSA	Band selective Mini repeater

Options

270151	OPT1	Frequency range Public safety: UL 380–385MHz / DL 390–395MHz
270153	OPT3	Frequency range Commercial: UL 410–415MHz / DL 420–425MHz
270154	OPT4	Frequency range Commercial: UL 415–420MHz / DL 425–430MHz
270155	OPT5	Alarm notice via GSM/UMTS
270157	OPT7	230 V power supply unit
270158	OPT8	Special frequency range
270159	OPT9	230 V power supply unit with battery backup, UPS