

SIP VANDAL RESISTANT SUBSTATION



when communication is **critical**

FEATURES

- Vandal and water resistant
- Designed in stainless steel (A304) to withstand corrosion
- SIP support for integration to any iPBX
- Support integration with 3rd party management tools via open protocols
- Integrated data switch with advanced networking and security functions
- Relay output for remote control, e.g. doors, signal lamps and gates
- Powered from the IP network cable using Power over Ethernet (PoE)
- Superb audio quality – high bandwidth codec, active noise cancellation, acoustic echo cancellation and high output power amplifier

DESCRIPTION

The STENTOFON SIP Substation supports integration of custom-made IP intercom stations to any iPBX. The station also supports a wide set of open protocols that allows integration with any iPBX system as well as 3rd party management systems.

The STENTOFON SIP Vandal Proof Substation is tough, durable and resilient, and designed for use in the harshest environments. The station is typically used as a communication, information or emergency point and connects directly to the IP network, making it easy to deploy – anywhere and at any distance.

Like all STENTOFON stations, this SIP substation features superb audio quality. This is enabled through a set of advanced technologies such as active noise filtering, acoustic echo cancellation, wide band audio codec, and high power audio outputs.

The PCB has two logical outputs. These outputs can for instance be used to open a door through a connected relay.

The SIP substation has an integrated managed data switch providing advanced networking and security features. The integrated switch provides support for:

- Protection from unwanted access
- Quality of Service (QoS) by managing data traffic
- Increased system availability through redundant LAN infrastructure
- Cost efficient installation by providing shared network connections through the integrated data switch

All this enables you to deliver instant, efficient and secure voice and data services in an IP environment using a terminal designed to fit the environment.



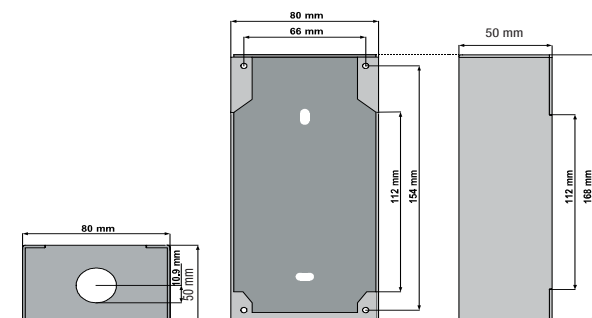
ORDER NUMBER	DESCRIPTION	SHIP WEIGHT
1008061100	SIP Vandal Proof Substation	0.8 kg
1008098100	Flush mount back box	0.8 kg
1008098000	On wall mount back box	0.8 kg

SIP VANDAL PROOF SUBSTATION

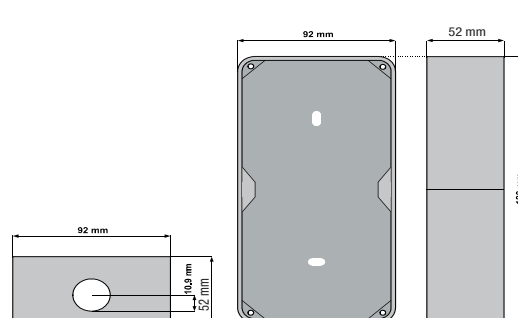
SPECIFICATIONS

Dimension (WxHxD)	180 x 92 x 54 mm
Weight	0.8 kg
Protection	Vandal resistant design, 2 mm stainless steel front, tamper proof fastening screws, buttons and loudspeaker grills
Protection class	With mounting box 1008098000 (on wall): IP-44 With mounting box 1008098100 (flush mount): IP-55
Mounting	Flush mount in 50 mm deep back box
Temperature range	0°C - 50°C
Power	Power over Ethernet, IEEE 802.3 a-f, Class 0 Local power 19 – 27 VDC, Idle 4W, max. 8W
Connectors	2 x RJ45 (Ethernet) 10/100 Mbps Pluggable screw terminals (audio and IO)
Remote control	3 digital inputs, 1 relay
SIP support	RFC 3261, SIP Info (DTMF), RFC 2833 (DTMF)
IP protocols	IP v4 - TCP - UDP - HTTPS – TFTP - RTP - RTCP -DHCP - SNMP DiffServ - TOS – STENTOFON CCoIP® - SIP
LAN protocols	Power over Ethernet (IEEE 802.3 a-f), VLAN (IEEE 802.1q), Network Access Control (IEEE 802.1x), STP (IEEE 802.1d), RSTP (IEEE 802.1d-2004)
Audio technology	Wideband 200 Hz - 7 kHz (G.722) Telephony 3.4kHz (G.711) Active noise filtering Acoustic echo cancellation Open duplex Adaptive jitter filter 1.5 Watt audio output 8 ohm loudspeaker impedance External audio out (0dB, 600 ohm)
Management and operation	HTTPS (Web configuration) DHCP and static IP TFTP (firmware and configuration download) SNMP v1,v2 and v3 (monitoring) Status LED
Advanced features	Dual port managed data switch supporting VLAN Standby SIP server for redundancy

FLUSH MOUNT BACK BOX



ON WALL BACK BOX



ORDER NUMBER

1008061100

DOC NO

A100K10751

sales@stentofon.com

