

PRO-221

HANDSET, FLUSH MOUNTED



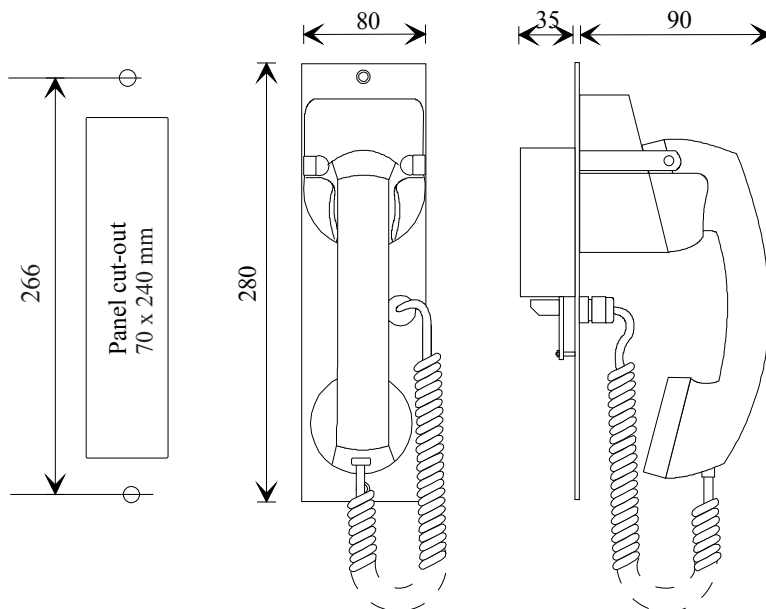
when communication is **critical**

FEATURES

- Designed to be used together with main station AA704 for flush mounting in consoles
- The built-in loudspeaker in AA704 is disconnected when lifting the handset for private conversation

SPECIFICATIONS

Connections	Screw terminals
Colour	Black
IP rating	IP-44
Dimensions (mm)	80W x 280H x 90D
Panel cut-out	70 x 240 mm
Weight	0.65 kg



ORDER NUMBER	DESCRIPTION	SHIP WEIGHT
3006220007	PRO-221 Handset, Flush Mounted	0.65 kg

ORDER NUMBER

3006220007

DOC NO

A100K10481

18.03.2010

www.vingtor.com - sales@vingtor.com

