

# PRO700

## DESK/ WALL MASTER STATION



when communication is **critical**

### FEATURES

- Loud-speaking hands-free communication and confidential soft-speaking handset
- Programmable features and extension numbers
- Total privacy, telephone mode
- Internal 1 Watt amplifier
- Adjustable speaker volume in 16 levels with two keys
- An external loudspeaker can be connected to the station's wall socket
- 8 digit LCD display shows caller identification and message/absence information
- Built-in relay for door-lock control or optional warning
- Desk or wall mounting using wall bracket



### DESCRIPTION

The AA711 master station is the successor of AA701 with a totally new re-design in high-grade, light grey impact resistant ABS plastic with satin finish. New features of the AA711 include a built-in relay for door-lock control or optional warning, and connection for an external digit '6' or '9' call switch.

The station has a full 15 button keyboard and display. It can call to, and receive calls from all stations in the system, and perform all-call and group-call, emergency call and silent alarm. The LCD display shows calling and feature status as well as absence information. A tri-color LED adds status information for the user. Subscriber number and station features are programmed by switches inside the station.

Pro700 is a decentralized system which does not require any central unit, each station is microprocessor controlled, providing an extensive range of standard and programmable features. Pro700 is a fully electronic intercom system for loud-speaking hands-free duplex communication. The system is designed for up to 40 subscribers connected in star, parallel or loop on a four-wire bus. An entertainment program can be distributed on a separate two-wire line to all stations. Stations support external loudspeakers for increased sound power. AA711 is prepared for use as an operator or guard station in a Call Annunciation System (CAS) where up to 37 Call-in stations can report to 1-3 operator stations.

### SPECIFICATIONS

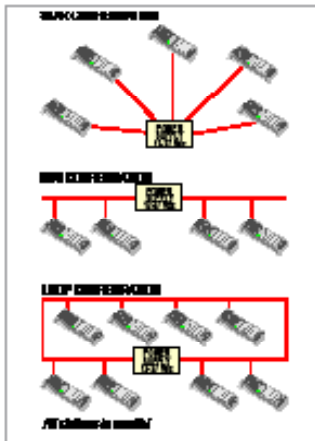
Dimensions (WxHxD)	68 x 225 x 45 mm
Weight	0.3 kg
Finish	High-grade, light gray impact resistant ABS plastic with satin finish
Mounting	Table top or wall mount with bracket
Working voltage	24 V DC (12-27 V DC)
Current consumption	Idle: 30 mA Operated: 200 mA max With ext. loudspeaker: 400 mA max

ORDER NUMBER	DESCRIPTION	SHIP WEIGHT
3007600052	Desk/Wall Master Station with Display	0.25 kg
3007600029	Wall bracket for AA711	0.04 kg
3007600034	Wall socket, surface mounted, RJ45	0.05 kg
3007600036	Wall socket, flush mounted, RJ45	
3007600018	Station cable 8 wires, 2 m	
3007600019	Station cable 8 wires, 6 m	
3007600020	Station cable 8 wires, spiral, 2 m	
BF947	Station cable for Multinet, 4 wires, 2 m (conversation only)	
BF948	Station cable for Multinet, 4 wires, spiral, 2 m (conversation only)	

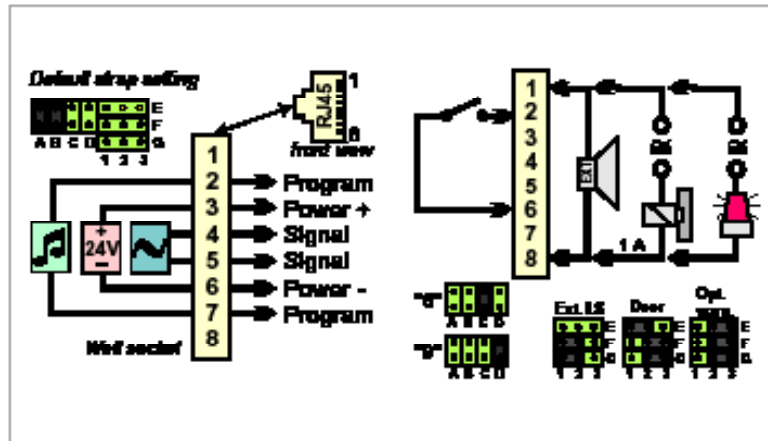
## PRO700 AA711 DESK/WALL MASTER STATION WITH DISPLAY

Output power	Internal loudspeaker	1 W
	External loudspeaker	2 W
Frequency range	100 - 5 000 Hz	
Type of signalling	32 kHz ASK	
Microcomputer	4-bit	
Volume control	23 dB	
Display	LCD, 8 digits	
Relay ratings	48 V/1 A, NO	
CE certification	EN 50081-1 and EN 50082-1	

### Cabling



### Connection



### Pro700 System



### CAS System

