

BLK5-230

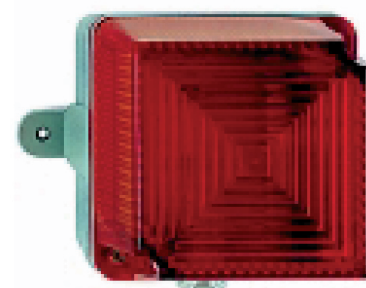
FLASH BEACON WATERPROOF



when communication is critical

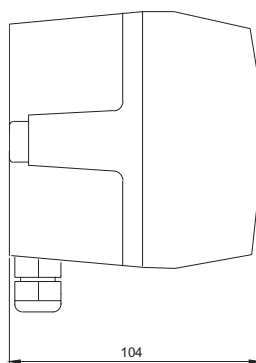
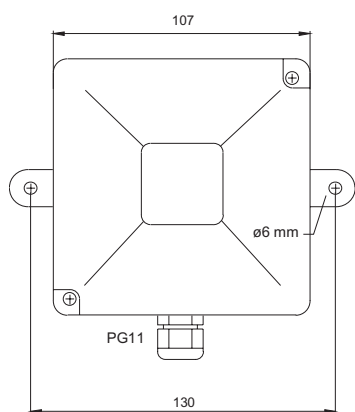
FEATURES

- Optical signalling device of rugged design
- Compensation valve to prevent condensation
- To be wall-mounted in noisy areas like engine room etc
- Dome in four available colours



SPECIFICATIONS

Operation voltage	230V AC
Rated current	0.07 A
Flash frequency	Approx. 60 flash / min
Operating temp	-30 to + 50 °C
Flash energy	5 Joule
Housing	Case of aluminium, Dome of ABS
Dome colour	Blue, Orange, green, clear
IP-class	IP-65
Cable entry	PG-11
Dimensions (mm)	107W x 107H x 104D
Weight	0.7 kg



ORDER NUMBER	DESCRIPTION	SHIP WEIGHT
BLK5-230B	BLK5.230.75 Flash beacon blue 230V AC	0.7 kg
BLK5-2300	BLK5.230.72 Flash beacon orange 230V AC	0.7 kg

ORDER NUMBER
BLK5-230

DOC NO
A100K10582

www.vingtor.com - sales@vingtor.com

