

CD-7-VMP

PLUGBOX WATERPROOF



when communication is critical

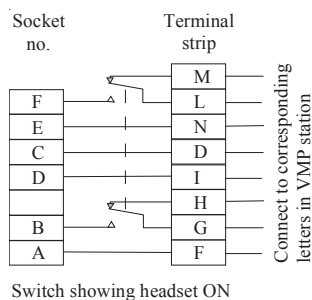
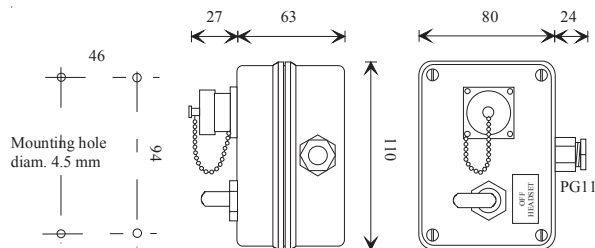
FEATURES

- Waterproof plug box
- Designed to be used together with VMP-36-PELP, portable headset
- Protected Socket
- Supports headset with ON / OFF button
- Wall mounting
- Suitable for installation in noisy or deck areas



SPECIFICATIONS

Connections	Screw terminals
Material	Bay blend plastic housing
IP class	IP-66
Dimensions (mm)	80W x 110H x 63D
Cable inlet	PG-11
Weight	0.4 kg



ORDER NUMBER	DESCRIPTION	SHIP WEIGHT
CD-7-VMP	Plugbox waterproof	0.4 kg

ORDER NUMBER
CD-7-VMP

DOC NO
A100K10538

www.vingtor.com - sales@vingtor.com

