

CW-4T

LOUDSPEAKER WALL



when communication is **critical**

FEATURES

- Wall loudspeaker w/ transformer for accommodation area
- Excellent for P.A. intercom and background music
- With 100V line transformer

INSTALLATION, OPERATION AND MAINTENANCE PROCEDURES

- Screw the bracket on the wall, and fasten the cabinet to the bracket with one screw.
- For optimum performance, always use the correct voltage / power and operate within the frequency limits as stated.
- Take care when the loudspeaker in use

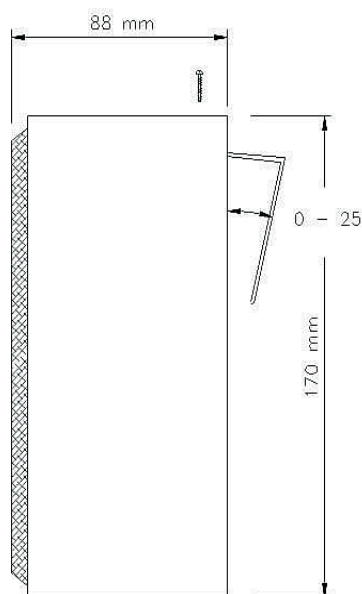
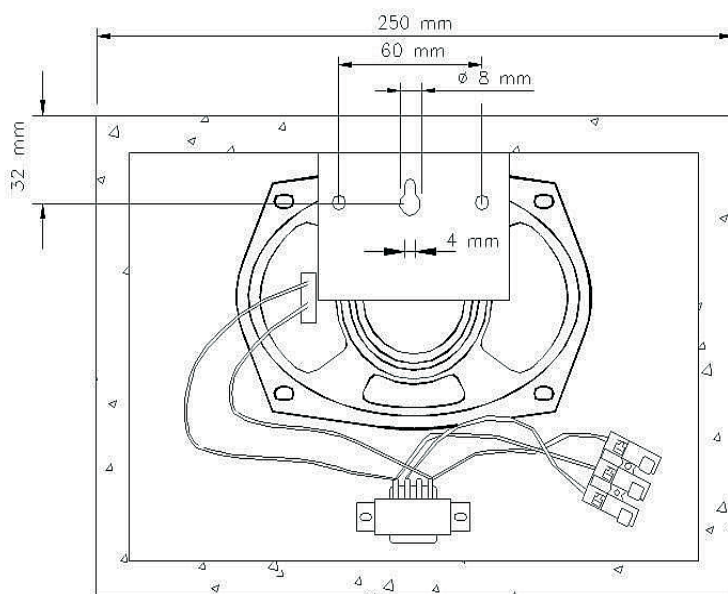


SPECIFICATIONS

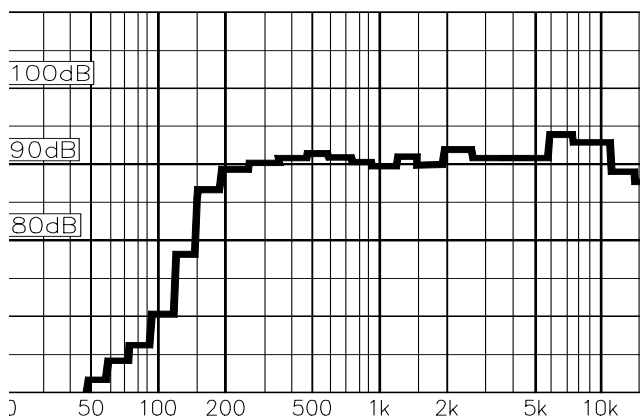
Dimensions (mm)	250W x 170H x 88D
Weight	1.2 kg
Mounting	Screws, keyhole
Material / Color	Particle board / White or walnut
Temperature range	Max. / min. amb. temp 90°C / -40°C
Max. / min. ambient temperature	90°C / -40°C
Connections	Spring clamp
Rated / max. power	6W / 8 W
SPL 1W/1m	90dB
SPL rated power	97dB
Effective freq.range	140 - 20000Hz
Dispersion	(-6dB)1kHz / 4kHz 140° / 80°

ORDER NUMBER	DESCRIPTION	SHIP WEIGHT
CW-4T	Loudspeaker wall	1,2 kg

CW-4T LOUDSPEAKER WALL



Sound pressure levels at different frequencies at 1W/1m pink noise



Secondary nominal tapings:

C : 6	6,0 W
C : 3	3,0 W
C : 1,5	1,5 W
C : 0,5	0.5 W