

EHS-2200

ROTARY LIGHT 220V AC, ORANGE



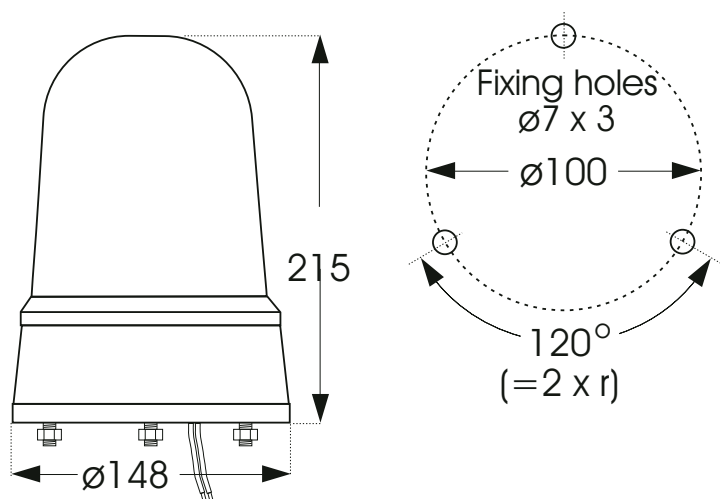
when communication is critical

FEATURES

- Used in noisy areas to indicate a call
- Can be used for all Vingtor systems
- Used together with relay unit

SPECIFICATIONS

| | |
|-------------------|--|
| Operating voltage | 220V DC +- 10% 50 - 60Hz |
| Lamp source | 40 W Ba-15d |
| Rated current | 200mA |
| Flash frequency | 180 r.p.m. |
| Operating temp | -10°C to +50°C |
| Material | Housing : Painted mild st. / Lens : PC |
| Housing Colour | Grey |
| Duty cycle | 100% |
| Connection | 1mtr. cable |
| IP-class | IP-54 |
| Dimensions (mm) | 148Ø x 215H |
| Weight | 1.1 kg |



| ORDER NUMBER | DESCRIPTION | SHIP WEIGHT |
|--------------|-----------------------------|-------------|
| EHS-2200 | Rotary light 220V AC Orange | 1.1 kg |
| EHS-220B | Rotary light 220V AC Blue | 1.1 kg |
| EHS-220G | Rotary light 220V AC Green | 1.1 kg |
| EHS-220R | Rotary light 220V AC Red | 1.1 kg |

ORDER NUMBER
EHS-2200

DOC NO
A100K10578

www.vingtor.com - sales@vingtor.com

