

HP-30T

HORN LOUDSPEAKER 30W, WATERPROOF



when communication is **critical**

FEATURES

- Wall loudspeaker w/ transformer for accommodation use.
- Excellent for P.A. intercom and background music
- With transformer for 100V amplifier line

INSTALLATION, OPERATION AND MAINTENANCE PROCEDURES

- When mounting the loudspeaker please ensure that it is re-assembled in the same manner in which it was assembled. Fasten bracket with 1-3 screws.
- To change the position of the loudspeaker please adjust the bracket (by loosening / tightening the screws) as required.
- For optimum performance, always use the correct voltage / power and operate within the frequency limits as stated.
- Do not open loudspeaker when in use
- Fasten lid with a torque of 2 - 3 Nm.



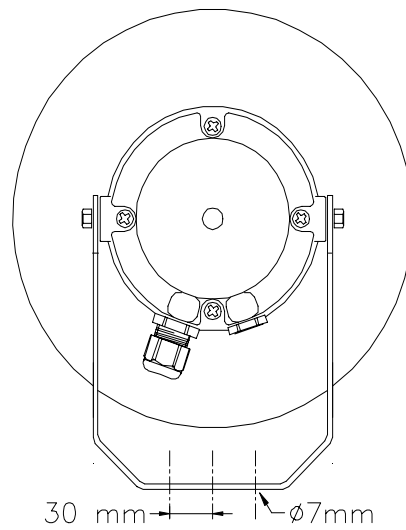
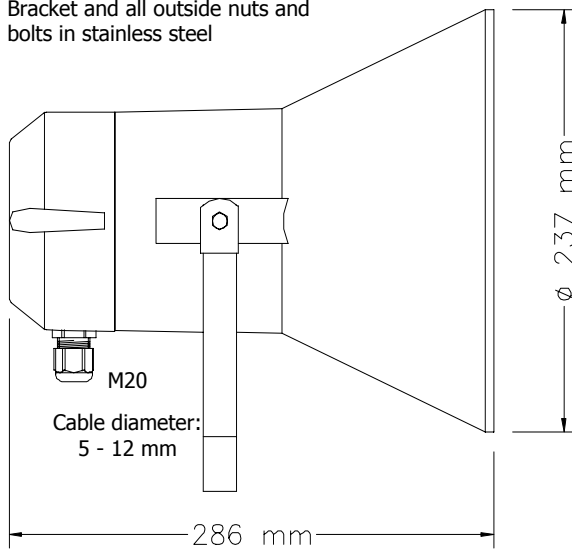
SPECIFICATION

Dimensions (mm)	2370 x 298D
Weight	2.3 kg
Mounting	Bracket
Material / Color	Polyamide / RAL 7035
Temperature range	Max. / min. amb. temp 90°C / -40°C
Max. / min. ambient temperature	150 °C / -50 °C
IP-Rating	IP-67
Connections	Internal screw connections
Rated / max. power	30W / 40W
SPL 1W/1m	110dB
SPL rated power	124dB
Effective freq.range	310 – 8000 Hz
Dispersion	(-6dB)1kHz / 4kHz 115° / 30°

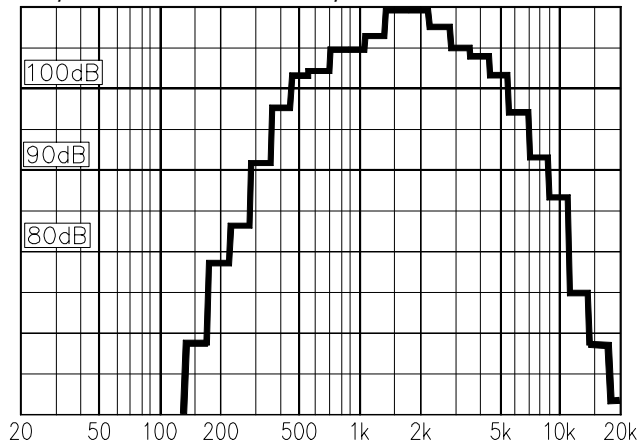
ORDER NUMBER	DESCRIPTION	SHIP WEIGHT
HP-30T	Horn loudspeaker 30W, waterproof	2.3 kg

HP-30T HORN LOUDSPEAKER 30W, WATERPROOF

Bracket and all outside nuts and bolts in stainless steel



1W/1m sine wave smooth 1/3 octave



Secondary nominal tapings:

- 1 : 4 30,0 W
- 1 : 3 15,0 W
- 2 : 4 10,0 W
- 1 : 2 7,5 W
- 3 : 4 3,5 W
- 2 : 3 2,0 W

6 = White, 8= Green,
9 = Red