

P-66/10

HAND MICROPHONE WITH 10M CABLE WATERPROOF



when communication is critical

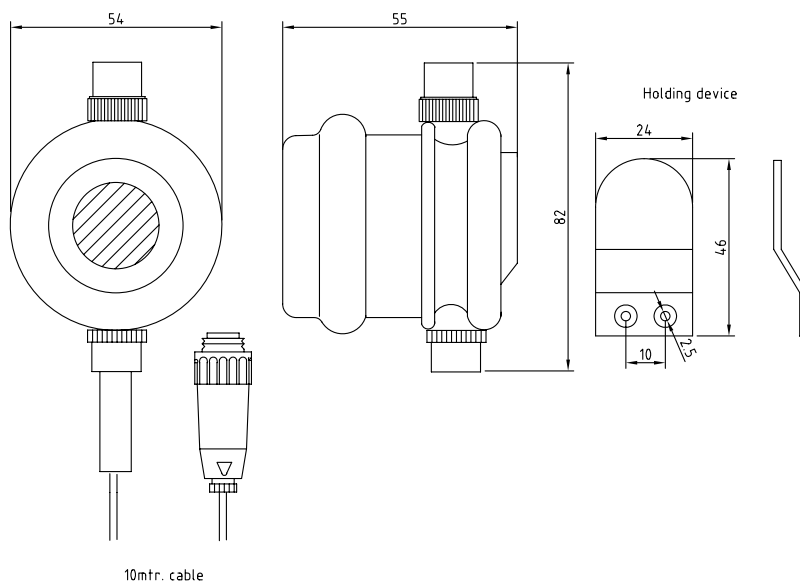
FEATURES

- Weatherproof, salt water resistant handheld microphone
- Suitable for heavy-duty outdoor operation subject to noise disturbance
- Delivered with 10 meter cable and plug
- For use in Public Address and Talk-Back System

SPECIFICATIONS



Type/art.no	66 / 84-15-06980
DC resistance	200 ohm
Mic. sensitivity	0.5 mV/dyne/sq.cm at 1 kHz
Power capacity	0.2 W (0.5 W peak)
LS sensitivity	57 dB/mW at 1 kHz and 50 cm distance i.e. 80 dB at 0.2 W audio-frequency power
Working temperature	-30 to +60 °C
Protection	IP-47
Color	Black
Weight	0.4 kg



ORDER NUMBER	DESCRIPTION	SHIP WEIGHT
3005020040	P-66/10 Hand microphone with plug and 10mtr. cable, watertight	0.4 kg

ORDER NUMBER

3005020040

DOC NO

A100K10528

14.03.2011

www.vingtor.com - sales@vingtor.com



VINGTOR products are developed and marketed by Zenitel Norway AS. The company's Quality Assurance System is certified to meet the requirements in NS-EN ISO 9001:2008. Zenitel Norway AS reserves the right to modify designs and alter specifications without prior notice, in pursuance of a policy of continuous improvement. © 2011 Zenitel Norway AS.