

# SB01

## SOCKETBOX



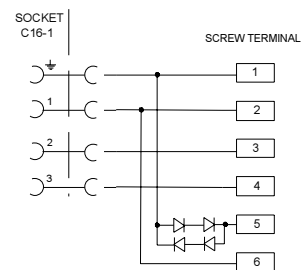
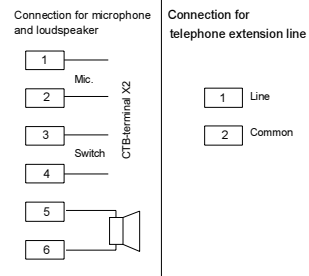
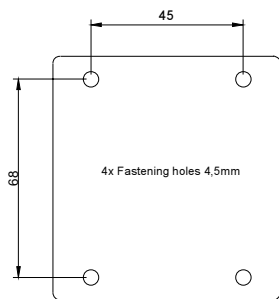
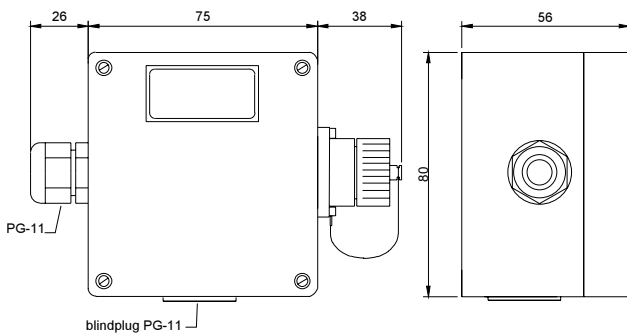
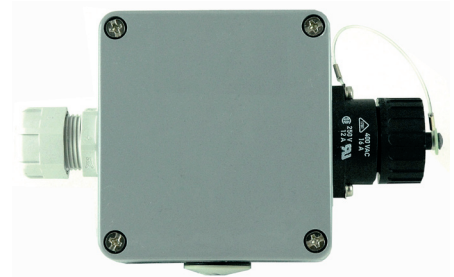
when communication is critical

### FEATURES

- Socket box for portable telephone instrument P-290

### SPECIFICATIONS

Termination	Screw terminals
Material	Fibre glass reinforced polyester
Socket	C16-1 4pin
IP class	IP-65
Mounting	Wall
Dimensions (mm)	75W x 80H x 58D
Cable inlet	PG-11
Weight	0.4 kg



ORDER NUMBER	DESCRIPTION	SHIP WEIGHT
SB01	Socketbox waterproof for P-290	0.4 kg

ORDER NUMBER  
**SB01**

DOC NO  
**A100K10546**

[www.vingtor.com](http://www.vingtor.com) - [sales@vingtor.com](mailto:sales@vingtor.com)

