

# VM50-RD

DUAL VOLUME CONTROL 4 WIRE OVERRIDE 2X50W



when communication is critical

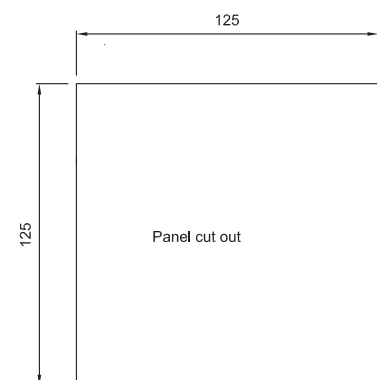
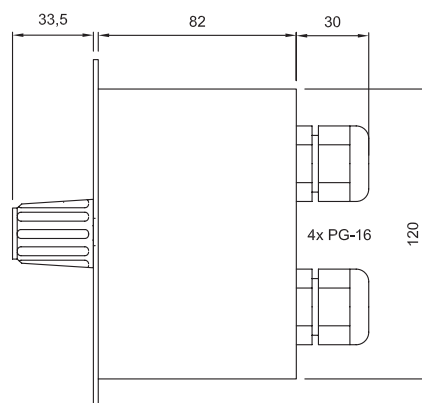
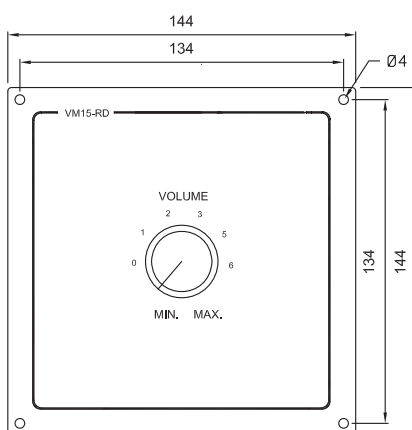
## FEATURES

- Dual volume control, 4 wire override 2x 50W
- For use in SPA-V2 Public address and general alarm system
- For flush mounting
- Optional, wall mounting by using back box

## SPECIFICATIONS



|                       |                                                           |
|-----------------------|-----------------------------------------------------------|
| Material / Colour     | Black anodized aluminium                                  |
| Dimension (mm)        | 144W x 144H x 82D                                         |
| Mounting              | Flush with 4x4 mm screws                                  |
| Cable gland           | 4 x PG-16                                                 |
| Input                 | From 100V amplifier                                       |
| Output                | 100V                                                      |
| Output power          | 2 x 50W                                                   |
| Override power supply | 24V DC                                                    |
| Termination           | Plugable screw terminals for max 2.5mm <sup>2</sup> cable |
| Weight                | 0.7 kg                                                    |



| ORDER NUMBER        | DESCRIPTION                                                | SHIP WEIGHT |
|---------------------|------------------------------------------------------------|-------------|
| VM50-RD             | Dual volume control, 4 wire override flush mounting 2x 50W | 0.70 kg     |
| Optional<br>STBOKS5 | Wall mounting box for volume controls VM15-RD and VM50-RD  | 0.22 kg     |

ORDER NUMBER  
**VM50-RD**

DOC NO  
**A100K10576**

[www.vingtor.com](http://www.vingtor.com) - [sales@vingtor.com](mailto:sales@vingtor.com)

