



DNH

HEAD OFFICE, NORWAY
DNH AS

Phone..... + 47 35 98 56 00
Fax..... + 47 35 98 56 10
E-mail..... dnh@dnh.no
Web-Site..... www.dnh.no

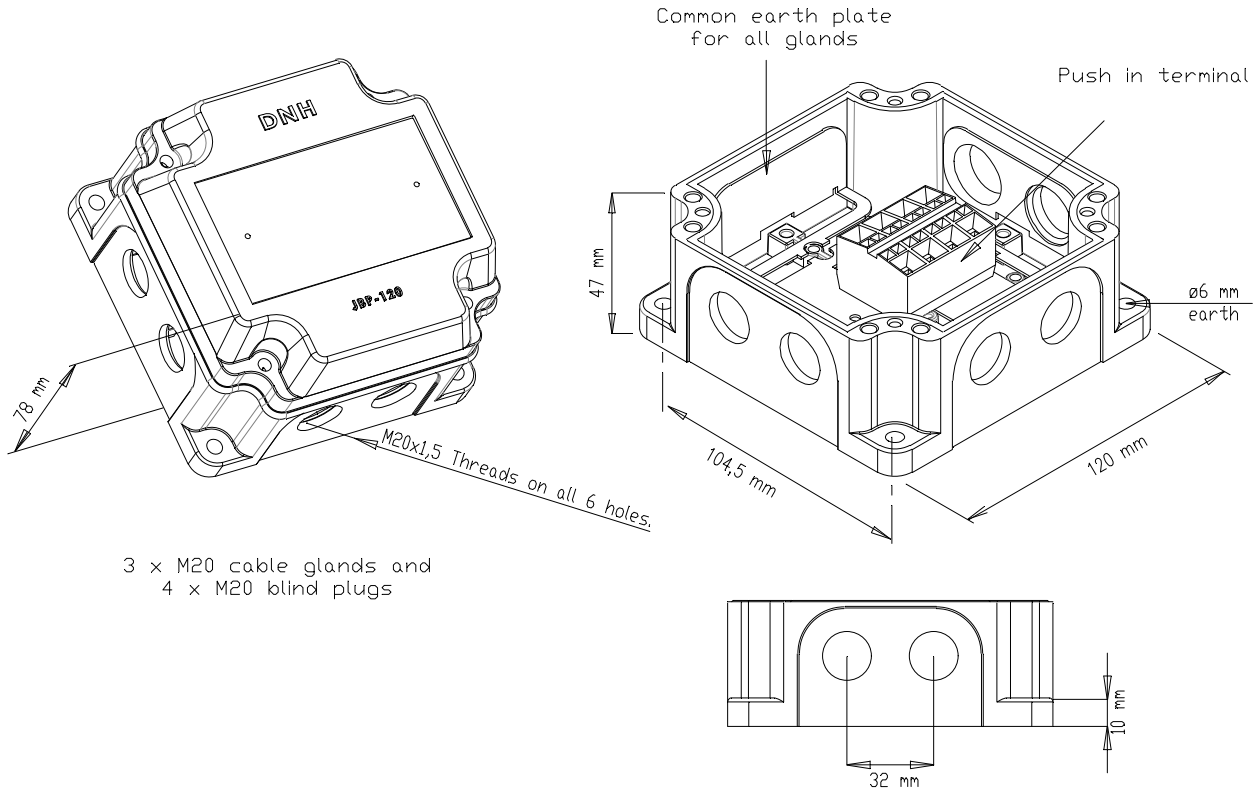
ENGLAND
DNH WW Ltd
Phone..... + 44 1908 275 000
Fax..... + 44 1908 275 100
E-mail..... dnh@dnh.co.uk

GERMANY
DNH GmbH
Phone... + 49 040 6569 30-0
Fax..... + 49 040 6569 30-30
E-mail..... dnh@dnh.de

USA
DNH Speakers Inc
Phone..... + 1 484 494 5790
Fax..... + 1 484 494 5793
E-mail..... dnh@dnhspeakers.com

JBP-120

ISO 9001 CERTIFIED



3 x M20 cable glands and
4 x M20 blind plugs

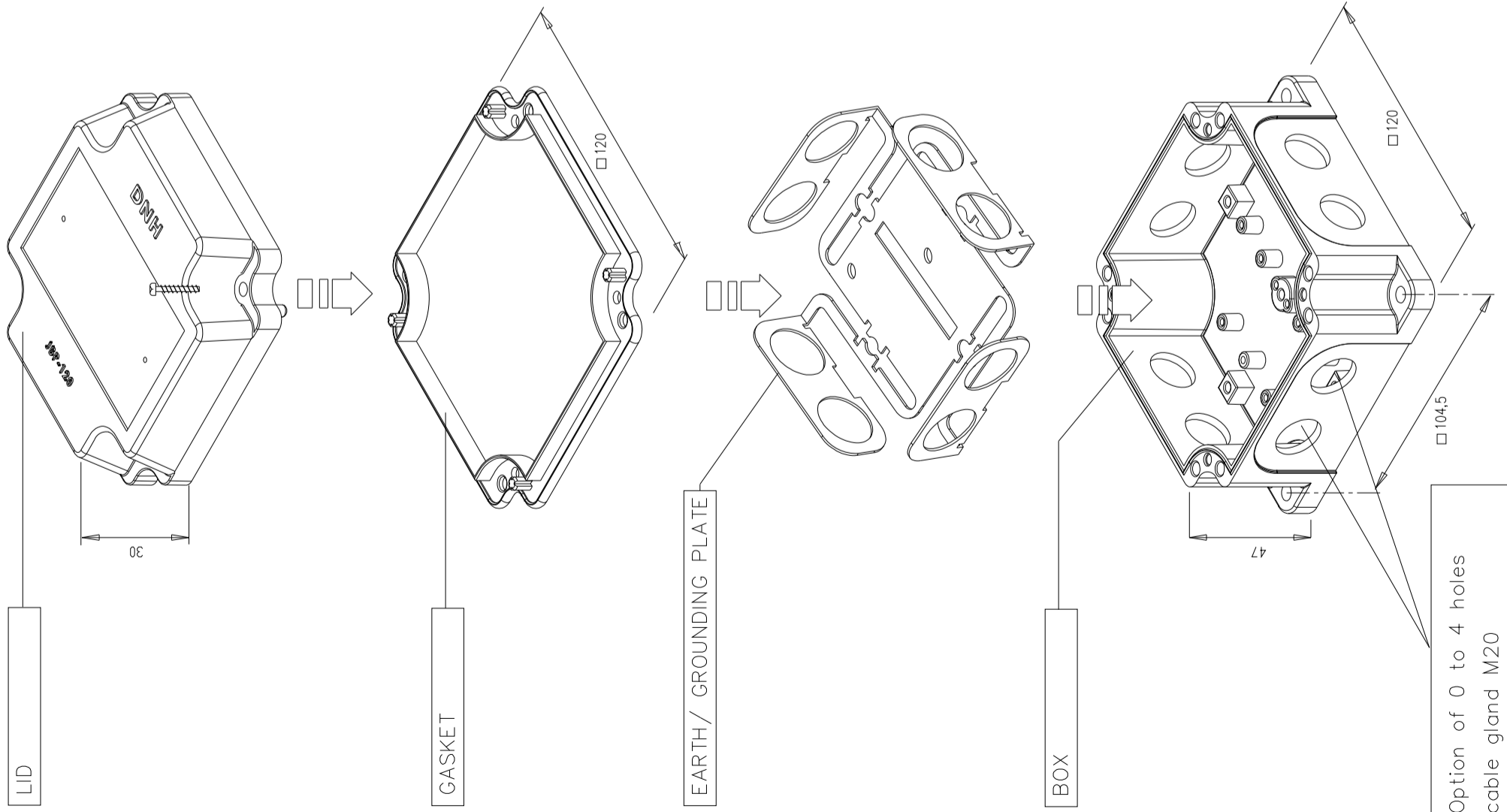
Specifications	
Material / Color	ASA / RAL 7035
Mounting	4 screws
Termination	Wago 264 terminal / earth plate / 2,5 mm ² / 600V
Weight	0,35 kg
IP-rating	67
Max. / min. amb. temp	90°C / -50°C

Installation, Operation and Maintenance Procedures

- Screw the box to the wall or ceiling with 2 - 4 screws.
- JBP-120 has six entries, and is delivered with three M-20 Cable glands and 4 M-20 blind plugs with washers.
- Fasten lid with four screws, approximately 1 Nm, use washers on screws.
- JBP-120 is delivered with Wago terminal 264 with max 2,5 mm².
- Junction box has a two years warranty against defective workmanship.

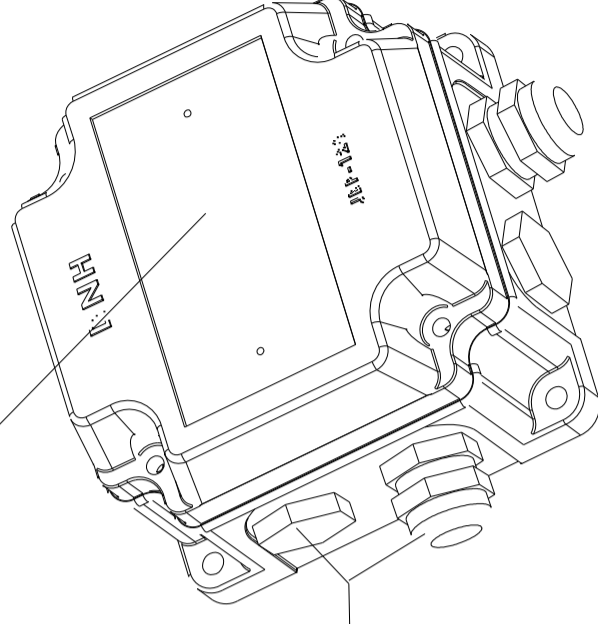
DNH reserves the right to alter specifications without notice



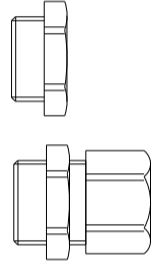


Sticker

Assembled

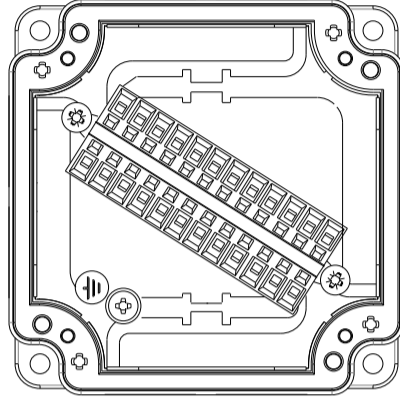


BLANKING PLUG
CABLE GLAND



x 2 pcs x 4 pcs

TERMINAL
Wago 624, 2.5mm²,
12 poles



Option of 0 to 4 holes
cable gland M20

Date:	Constr./Drawn:	Approved	Scale
	9.05.2016	JN	MS
JBP - 120			
Sym- bol	Revis- ion	Nr.	sign
Calculation		Project Nr.	
09052016-01		DNH a.s Norway	
Compensation for		compensate off	