

CALLING SYSTEM type ITCS

*Information: ITCS, standard ,
11112010*

CONTENTS

(File: ITCS, contents.doc)

CALLING SYSTEM type ITCS, technical characteristics	1
CALLING SYSTEM type ITCS, description and principle of operation	2
CALLING SYSTEM type ITCS, outlines	3
CALL FROM HOSPITAL AND REFRIGERATING ROOM, connection diagram	4
CALL FROM HOSPITAL, connection diagram	5
CALL FROM REFRIGERATING ROOM, connection diagram	6

CALLING SYSTEM type ITCS

Calling system type ITCS is designed for using on board ships, primary for calling from hospital and/or refrigerating room, but it can be used for any type of call.

System comprises:

- Control unit type **ITCS-1** for single call (for example "CALL FROM HOSPITAL" or "CALL FROM REFRIGERATING ROOM") or **ITCS-2**, control unit for double call ("CALL FROM HOSPITAL AND REFRIGERATING ROOM")
- Calling units type **ITCS-C1**, **ITCS-C2** and/or **ITCS-C3**
- Repeater unit type **ITCS-R**
- Signaling unit type **ITCS-S**

PRINCIPLE OF OPERATION

By operating "POWER" switch on the control unit ITCS-1 (ITCS-2), power supply is turned on. Pressing push button "CALL" situated on the calling unit ITCS-C1, ITCS-C2 or ITCS-C3, call starts. Audio and visual alarm is on. Pressing the "ACCEPT" button on the control unit ITCS-1 (ITCS-2) or repeater unit ITCS-R call is accepted and reset. Audio and visual signalization is switched off and system is ready to proceed new call.

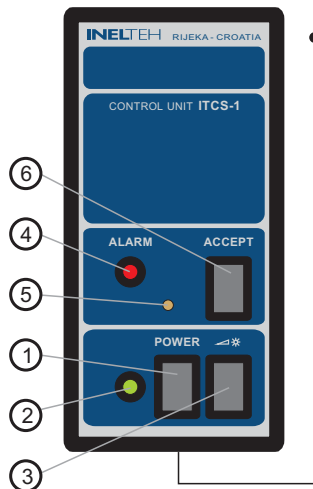
TECHNICAL CHARACTERISTICS

- Power supply: 230V AC or 24V DC (must be specified during ordering)
- Consumption:

Control unit ITCS-1.....	cca 3W
Control unit ITCS-2.....	cca 6W
Repeater unit ITCS-R.....	cca 1W
Signaling unit ITCS-S.....	cca 0.8W
Calling unit ITCS-C1.....	cca 0.3W
Calling unit ITCS-C2.....	cca 0.3W
Calling unit ITCS-C3.....	cca 0.4W
- Control unit for single ("CALL from HOSPITAL", "CALL from REFRIGERATING ROOM") or double call ("CALL from HOSPITAL and REFRIGERATING ROOM")
- C.O. voltage-free contact (125V/3A) for EXTERNAL ALARM
- C.O. voltage-free contact (125V/3A) for POWER FAILURE ALARM
- Red LE diode and buzzer for call indication
- Calling unit ITCS-C1 with additional push button on cable – suitable for using near hospital's bed
- Water resistant (IP 56 protection) calling unit ITCS-C3 – suitable for using in refrigerating space
- Illuminated push button on calling unit ITCS-C3 – insures visibility in dark spaces
- Control unit for flush or bulkhead mounting
- Peripheral units for bulkhead mounting (flush mounting on special request)

CALLING SYSTEM type ITCS

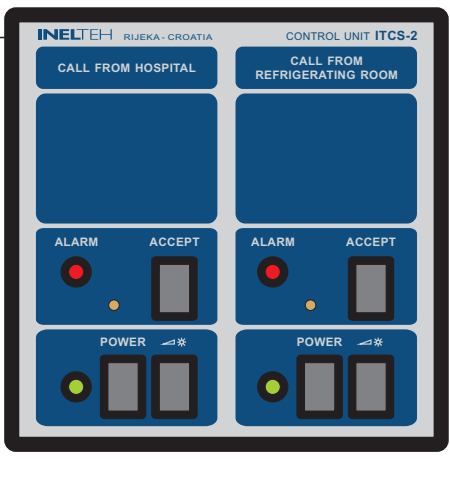
DESCRIPTION and PRINCIPLE of OPERATION



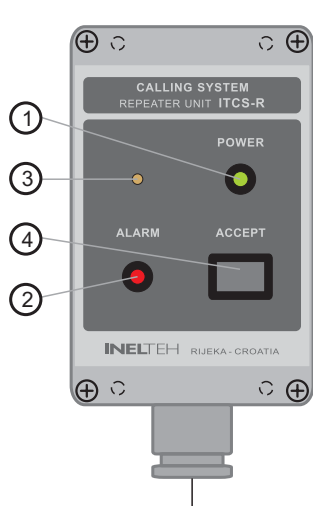
⑥
④
⑤
①
②
③

ITCS-1, ITCS-2

- Control unit for indication and acceptance of call
- ITCS-1 for single call; ITCS-2 for double call (same functions but doubled, electrically completely separated)
- Call is indicated by buzzer (5) and red "ALARM" LE diode (4)
- "POWER" switch (1) to turn on/off supply of whole system
- Power ON is indicated by green LE diode (2)
- "DIMMER" switch to reduce intensity of green LE diode (3)
- "ACCEPT" push button for call acceptance (6)
- Relays for external and power failure alarm
- Flush mounting (bulkhead on request)
- Weight: ITCS-1.....0.35kg (24V); 0.94kg (230V)
ITCS-2... 0.64kg (24V); 1.86kg (230V)




CALL FROM HOSPITAL CALL FROM REFRIGERATING ROOM



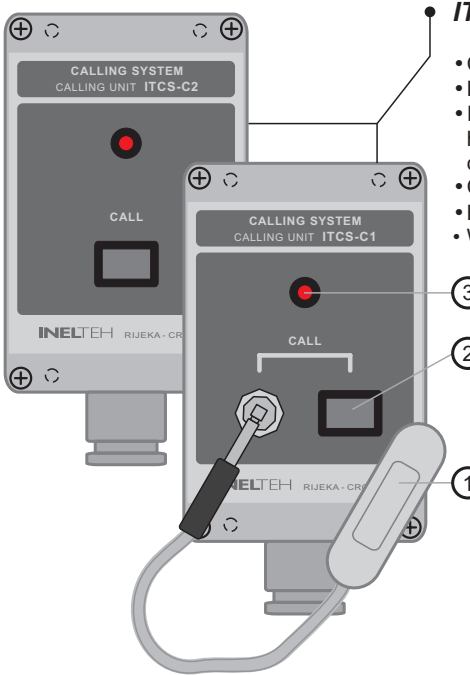
①
③
④
②

ITCS-R

- Repeater unit for indication and acceptance of call, used with ITCS-1 or ITCS-2 only
- Call is indicated by buzzer (3) and red "ALARM" LE diode (2)
- Power ON is indicated by green LE diode (1)
- "ACCEPT" push button for call acceptance (4)
- Bulkhead mounting (flush on request)
- Weight: 0.26kg




①
②



③
②
①


ITCS-C1, ITCS-C2

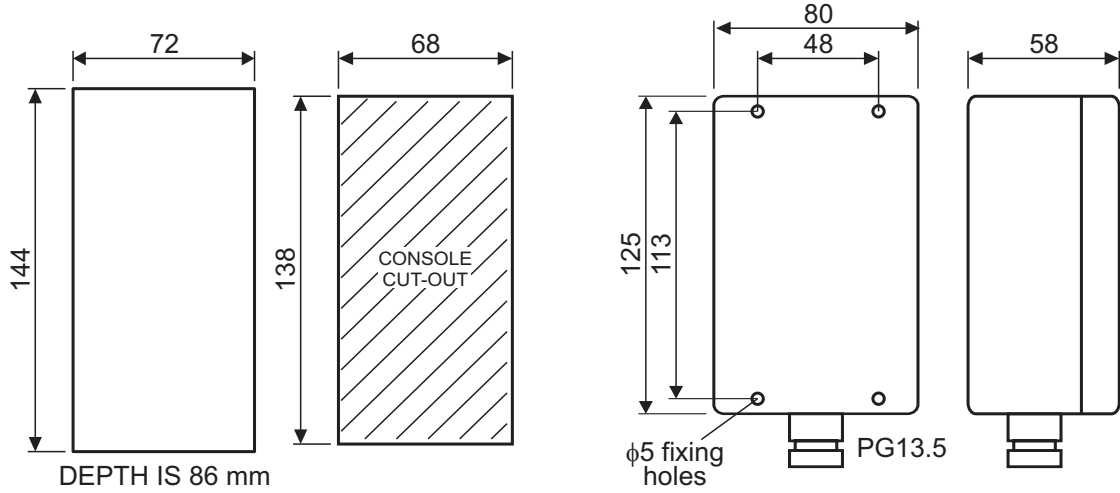
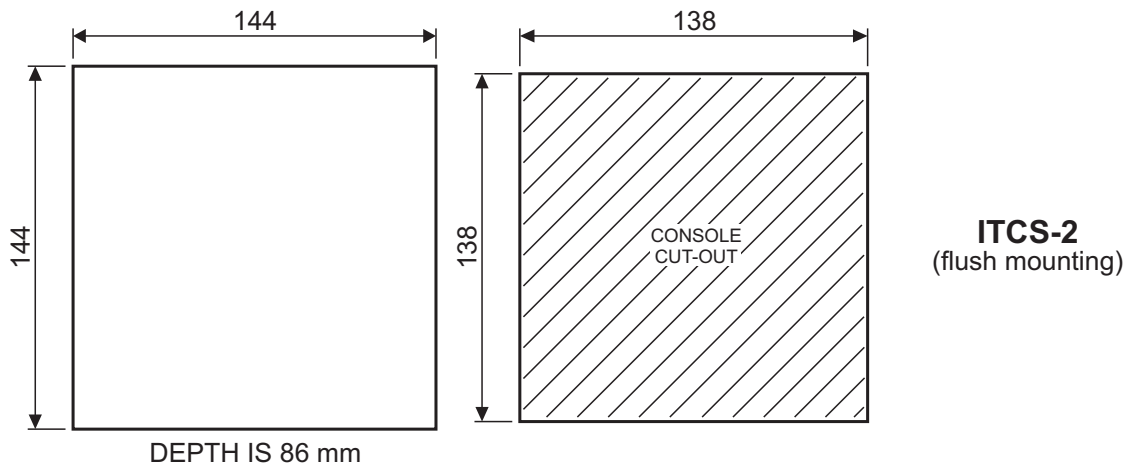
- Calling unit, used for call from hospital room
- Push button "CALL" for calling (2)
- ITCS-C1 with additional push button on cable (1) suitable for using near hospital's bed; ITCS-C2 (same functions but without push button on cable)
- Call is indicated by red LE diode (3)
- Bulkhead mounting (flush on request)
- Weight: ITCS-C1.....0.34kg
ITCS-C2.....0.21kg



ITCS-C3

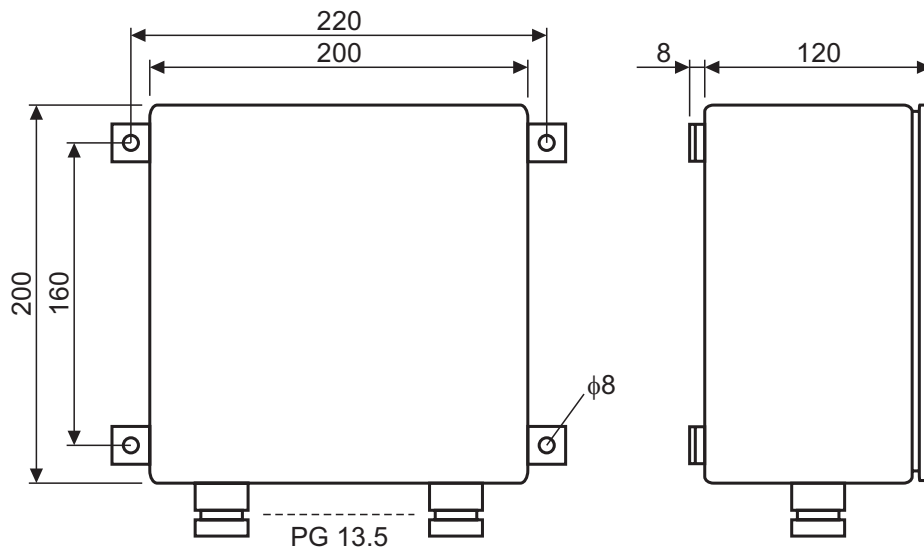
- Calling unit used for call from refrigerating room
- Water resistant (IP 56) illuminated push button for calling
- Green bulb in push button lights all the time (when system is on), to insure visibility in dark spaces
- Bulkhead mounting (flush on request)
- Weight: 0.23kg






ITCS-1
(flush mounting)

**ITCS-R, ITCS-S,
ITCS-C1, ITCS-C2, ITCS-C3**

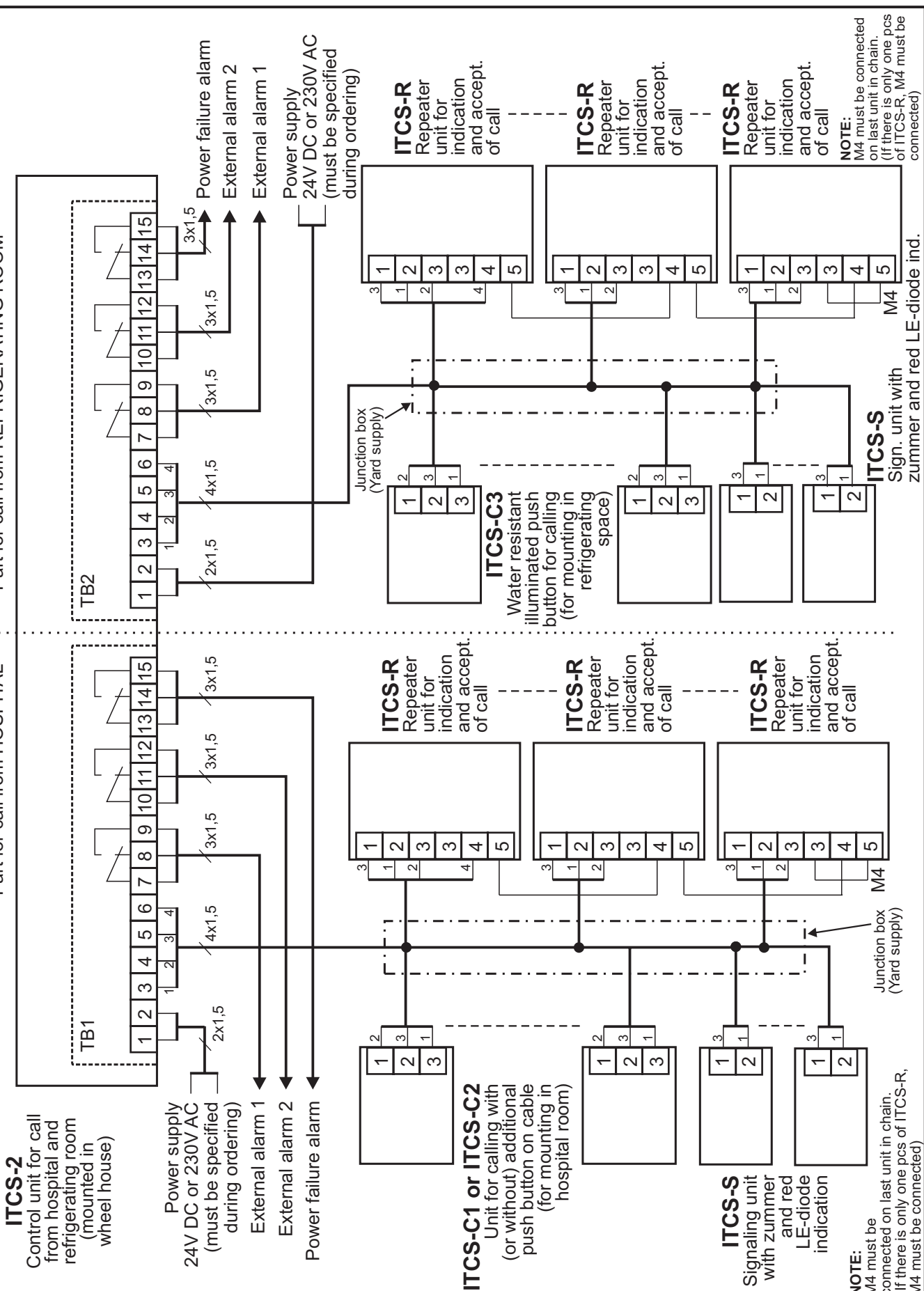



ITCS-1, ITCS-2
(bulkhead mounting)

ITCS-C3 outlines changed	21.05.07./DL	Date	Name	Title: CALLING SYSTEM type ITCS Outlines
		Project.		
		Constr.	17.03.05. Linić	
		Check		
Rev	Changes	Date/Sign	 ENGINEERING FOR ELECTRONIC EQUIPMENT AND SYSTEMS	
			Identity:	File: ITCS units, outlines.cdr
				Page/of 3/6

Part for call from REFRIGERATING ROOM

Part for call from HOSPITAL



1.	Added ITCS-R connection	30.08.10/Dam.C	Date	Name
2.	Changed ITCS-R description	11.11.10/Dam.C	Project.	
			Constr.	17.03.05. Linić
			Check	
Rev	Changes	Date/Sign	 ENGINEERING FOR ELECTRONIC EQUIPMENT AND SYSTEMS	

Title:

CALLING SYSTEM type ITCS

Call from hospital and refrigerating room, connection diagram

Identity:

File: ITCS, PB-PF, connection.cdr

Page/of: 4/6

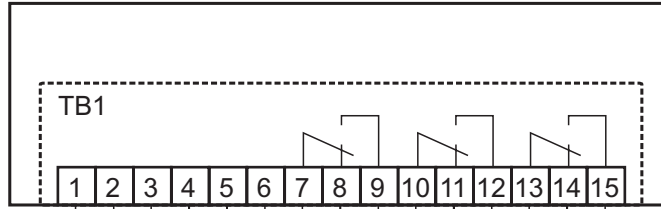
ITCS-1
Control unit for call
from hospital
(mounted in wheel house)

Power supply
24V DC or 230V AC
(must be specified
during ordering)

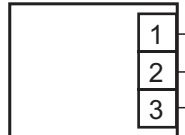
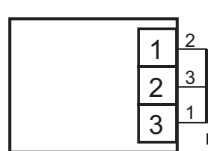
External alarm 1 ←

External alarm 2 ←

Power failure alarm ←



ITCS-C1 or ITCS-C2
Unit for calling
with (or without) additional
push button on cable
(for mounting in hospital room)



ITCS-S
Signaling unit with
zummer and red
LE-diode indication

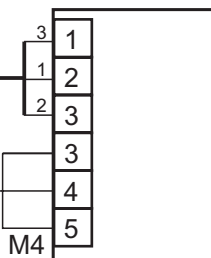
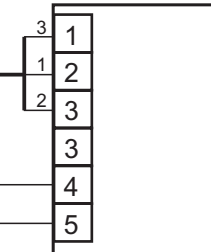
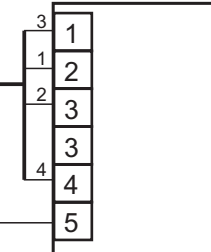


Junction box
(Yard supply)

ITCS-R
Repeater
unit for
indication
and accept.
of call


ITCS-R
Repeater
unit for
indication
and accept.
of call

ITCS-R
Repeater
unit for
indication
and accept.
of call



M4

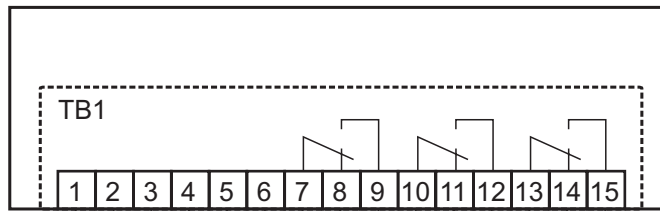
NOTE:
M4 must be connected on
last unit in chain. (If there is only
one pcs of ITCS-R, M4 must
be connected)

1.	Added ITCS-R connection	30.08.10/Dam.C	Date	Name
2.	Changed ITCS-R description	11.11.10/Dam.C	Project.	
			Constr.	17.03.05. Linić
			Check	
Rev	Changes	Date/Sign	 ENGINEERING FOR ELECTRONIC EQUIPMENT AND SYSTEMS	

Title:		CALLING SYSTEM type ITCS	
		Call from hospital, connection diagram	
Identity:	File:	ITCS, PB, connection.cdr	Page/of
			5/6

ITCS-1
Control unit for call
from refrigerating room
(mounted in wheel house
or galley)

Power supply
24V DC or 230V AC
(must be specified
during ordering)
External alarm 1
External alarm 2
Power failure alarm



ITCS-C3
Water resistant illuminated
push button for calling
(for mounting in refrigerating
space)

ITCS-S
Signaling unit with zummer
and red LE-diode indication

ITCS-R
Repeater
unit for
indication
and accept.
of call

ITCS-R
Repeater
unit for
indication
and accept.
of call

ITCS-R
Repeater
unit for
indication
and accept.
of call

Junction box
(Yard supply)

NOTE:
M4 must be connected on
last unit in chain. (If there is only
one pcs of ITCS-R, M4 must
be connected)

1.	Added ITCS-R connection	30.08.10/Dam.C	Date	Name
2.	Changed ITCS-R description	11.11.10/Dam.C	Project.	
			Constr.	17.03.05. Linić
			Check	
Rev	Changes	Date/Sign	INELTEH ENGINEERING FOR ELECTRONIC EQUIPMENT AND SYSTEMS	

Title:		CALLING SYSTEM type ITCS Call from refrigerating room, connection diagram	
Identity:	File:	ITCS, PF, connection.cdr	Page/of 6/6