

NB.CABLE TO BASE STATIONS AND ACM  
ARE UTP "CAT-6 CABLE -ETHERNET"  
DECT CABINET)  
LOCATION ????

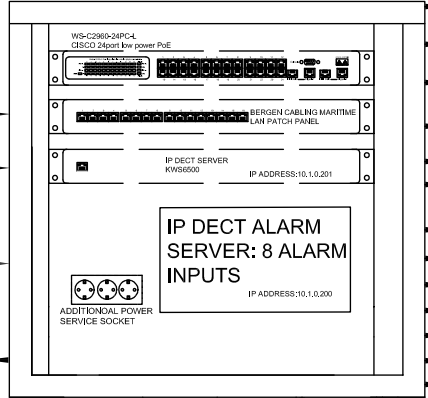
UP TO 100M

CAT6 from ACM

MAIN 220 VAC  
2X1.5

EMERGENCY/ UPS 220 VAC  
2X1.5

POWER FAILURE  
2X2X0.75



- 2X0.75 ALARM INPUT 1
- 2X0.75 ALARM INPUT 2
- 2X0.75 ALARM INPUT 3
- 2X0.75 ALARM INPUT 4
- 2X0.75 ALARM INPUT 5
- 2X0.75 ALARM INPUT 6
- 2X0.75 ALARM INPUT 7
- 2X0.75 ALARM INPUT 8

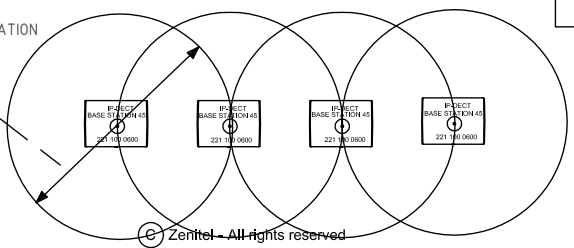
DECT Handset ROUGH C31102

4pcs

CHARGER UNIT  
V3 100-230VAC

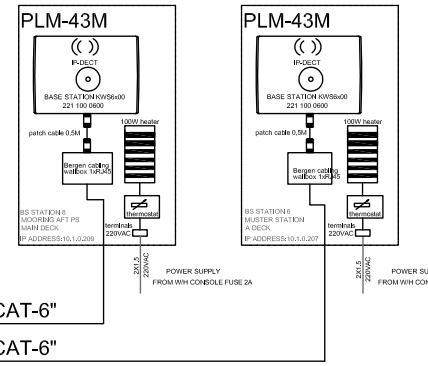
Ext.no. from 200 to 203

NB.RADIATION COVER IN ACCOMODATION  
THIN STEAL UP TO DIA 20-30M

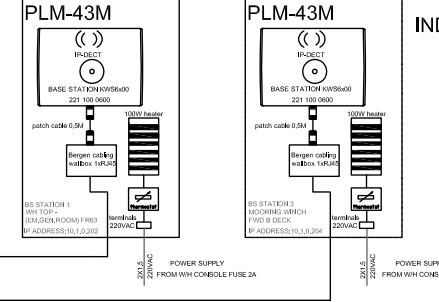


© Zenitel - All rights reserved

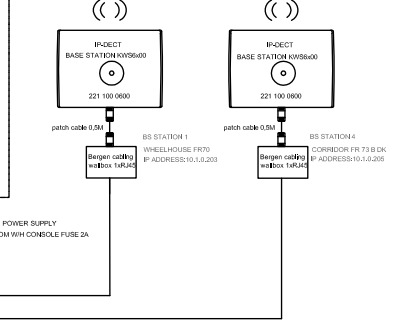
OUTDOOR STATION OUTDOOR STATION



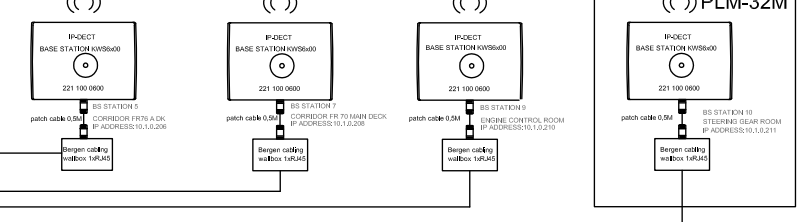
OUTDOOR STATION OUTDOOR STATION



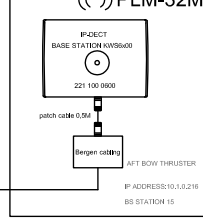
INDOOR STATION INDOR STATION



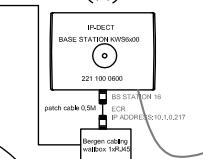
INDOOR STATION INDOR STATION INDOR STATION INDOR STATION



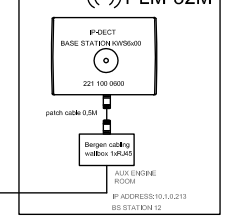
INDOOR STATION (( )) PLM-32M



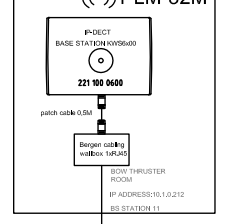
INDOOR STATION (( ))



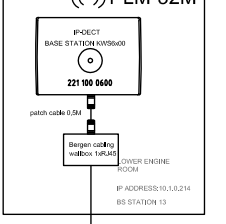
INDOOR STATION (( )) PLM-32M



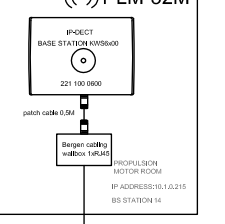
INDOOR STATION (( )) PLM-32M



INDOOR STATION (( )) PLM-32M



INDOOR STATION (( )) PLM-32M



LEAKING CABLE 100M

<b>VINGTOR STENTOFON</b>		Prep.by MMAT	Date 09.09.15	Project no. XXX	
IP DECT SYSTEM SINGLE LINE DIAGRAM WITH BASE STATION AND UNITS IP ADDRESSES AND POSITIONS		App. by xxx	Date dd.mm.yy	Rev. by xxx	Rev.date dd.mm.yy
xxx		Dwg.no. XXX		Rev.no. 00	
xxx		Sheet 1/1	Scale xx	Size A3	Unit MM