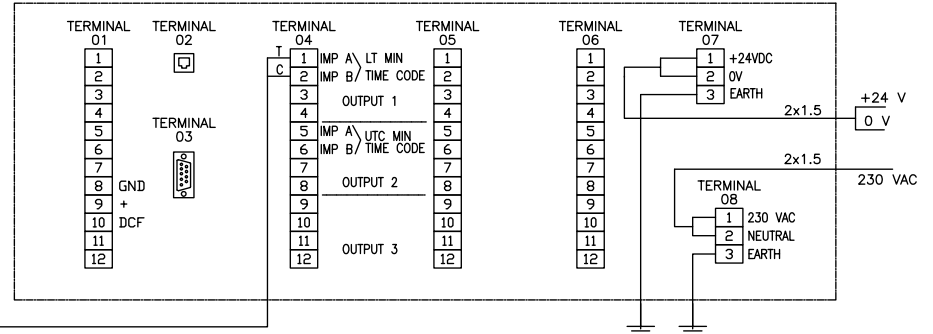


CABLE LENGTH (M)	C (MM)
< 50	3x0,75
< 100	3x1,5
< 150	3x2,0
< 200	3x2,5

MASTER CLOCK
70000



WHEELHOUSE
SLAVE CLOCK
170130-00/B
144x144, PANEL



24 VDC
FOR DIMMER

ACCOMMODATION POSITION
SLAVE CLOCK
2021580-10
230 DIA, BRACKET



ACCOMMODATION POSITION
SLAVE CLOCK
2021580-10
230 DIA, BRACKET



ACCOMMODATION POSITION
SLAVE CLOCK
2021580-10
230 DIA, BRACKET



ACCOMMODATION POSITION
SLAVE CLOCK
2021580-10
230 DIA, BRACKET



ACCOMMODATION POSITION
SLAVE CLOCK
2021580-10
230 DIA, BRACKET



E.C.R.
SLAVE CLOCK
170130-00/B
144x144, PANEL



24 VDC
FOR DIMMER

GALLEY
SLAVE CLOCK
2031580 - 10
300 DIA, BRACKET



ACCOMMODATION POSITION
SLAVE CLOCK
2021580-10
230 DIA, BRACKET



MINUTE IMPULSE LOCAL TIME
C

© Zenitel - All rights reserved

Rev.	Date	Revision text	Approved	Date

VINGTOR STENTOFON

Master clock MC70000
Connection diagram

Prep.by	Date	Project no.	
MMAT	08.09.15		
App. by	Date	Rev. by	Rev.date
xxx	dd.mm.yy	xxx	dd.mm.yy
Dwg.no.			Rev.no.
xxx			00
Sheet 1/1	Scale xx	Size A3	Unit MM