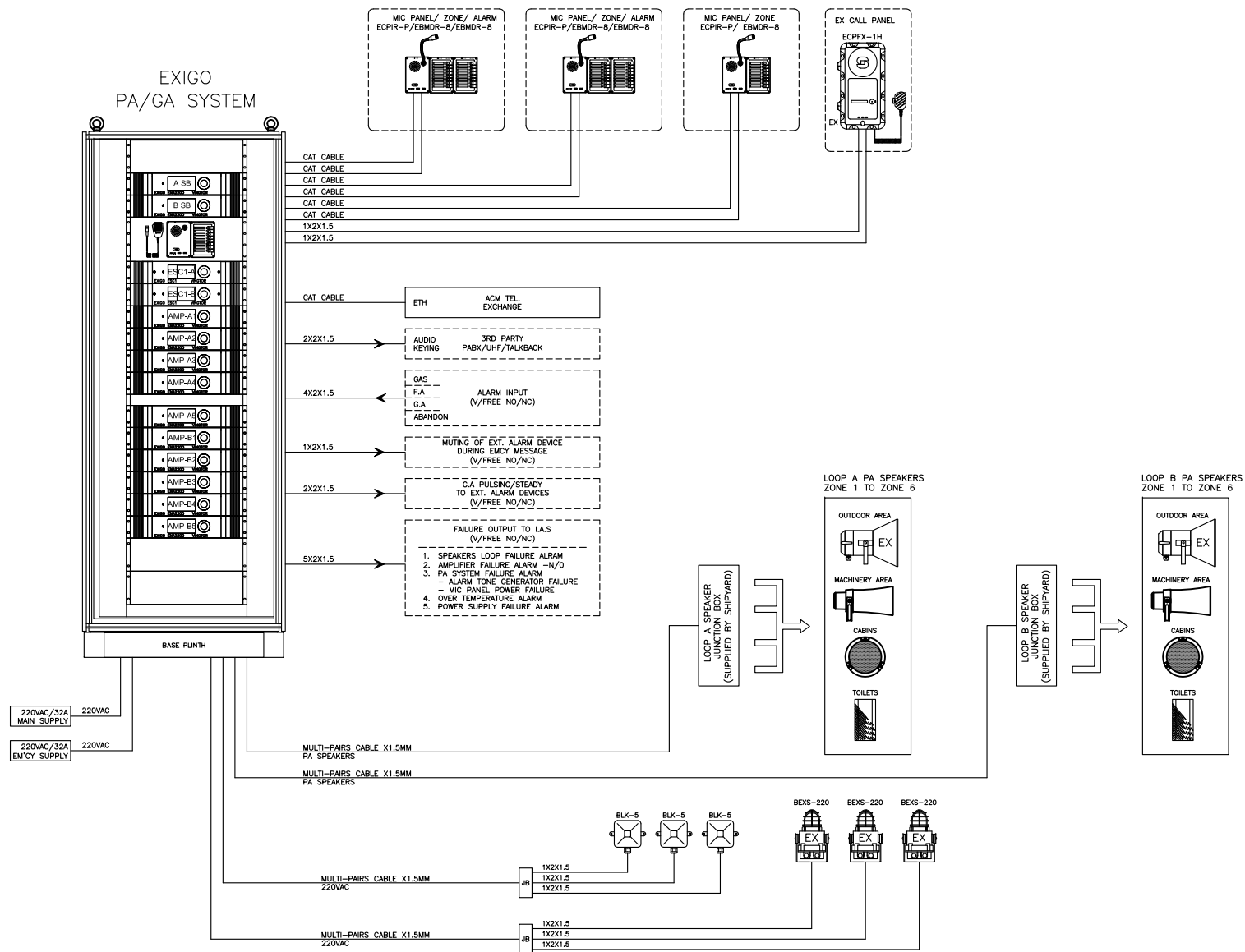


EXIGO PA/GA SYSTEM



SPEAKER ZONE 1 ~ ZONE-6
TO BE CONFIRMED
EMERGENCY PA WILL BROADCAST
TO ALL PA SPEAKERS.

DESIGN AND SPECIFICATION ARE SUBJECT TO CHANGE WITHOUT NOTICE

VINGTOR STENTOFON		Prep by	Date	Project no.
		CMF	23 SEP 15	-
		-	-	Rev. by
		-	-	-
		Dwg.no.	Rev. no.	
		EXIGO_AB_S_CNT	00	
		Sheet 1/1	-	-

EXIGO IP PA/GA SYSTEM
PA/GA SYSTEM (SINGLE RACK)
CONCEPT DRAWING