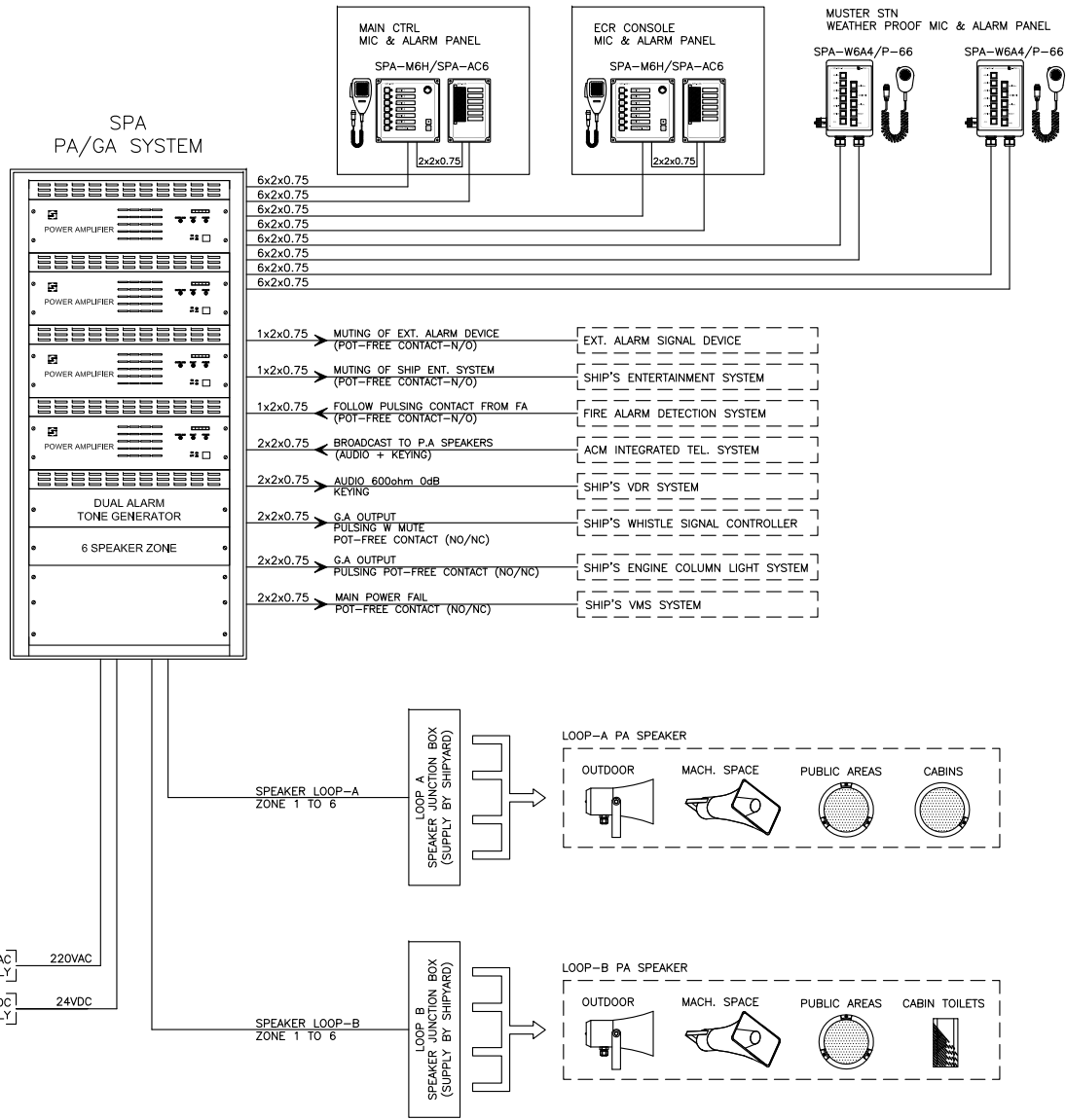


SPA
PA/GA SYSTEM



SPEAKER ZONE 1 ~ ZONE-6
TO BE CONFIRMED
EMERGENCY PA WILL BROADCAST
TO ALL PA SPEAKERS.

DESIGN AND SPECIFICATION ARE SUBJECT TO CHANGE WITHOUT NOTICE

VINGTOR STENTOFON		Prep.by ESM	Date 23 SEP 15	Project no. -
-	-	Rev.by -	Rev.date -	
SPA PA/GA SYSTEM PA/GA SYSTEM (SINGLE RACK) CONCEPT DRAWING		Dwg.no. SPA_AB_S_CNT	Rev.no. 00	
Sheet 1/1	-	-	-	-