

VAF-1 Analog Telephone Installation Guide

Item Number	Item Name	Description
2213000300	VAF-1	Analog Flush Telephone w/Relay

1 VAF-1 Overview

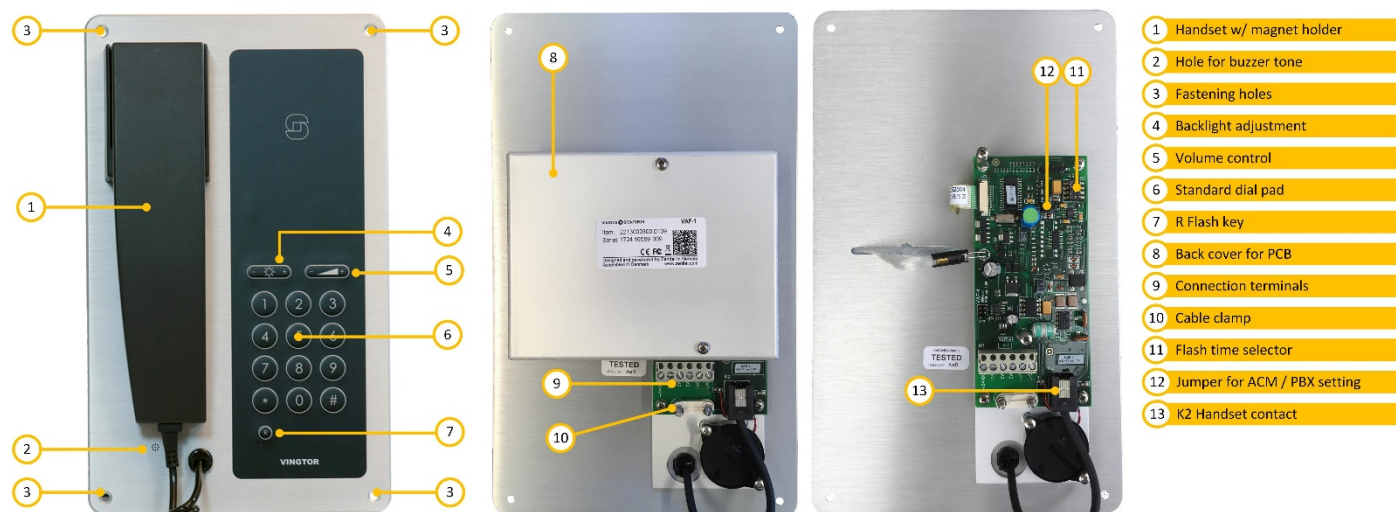


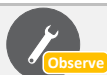
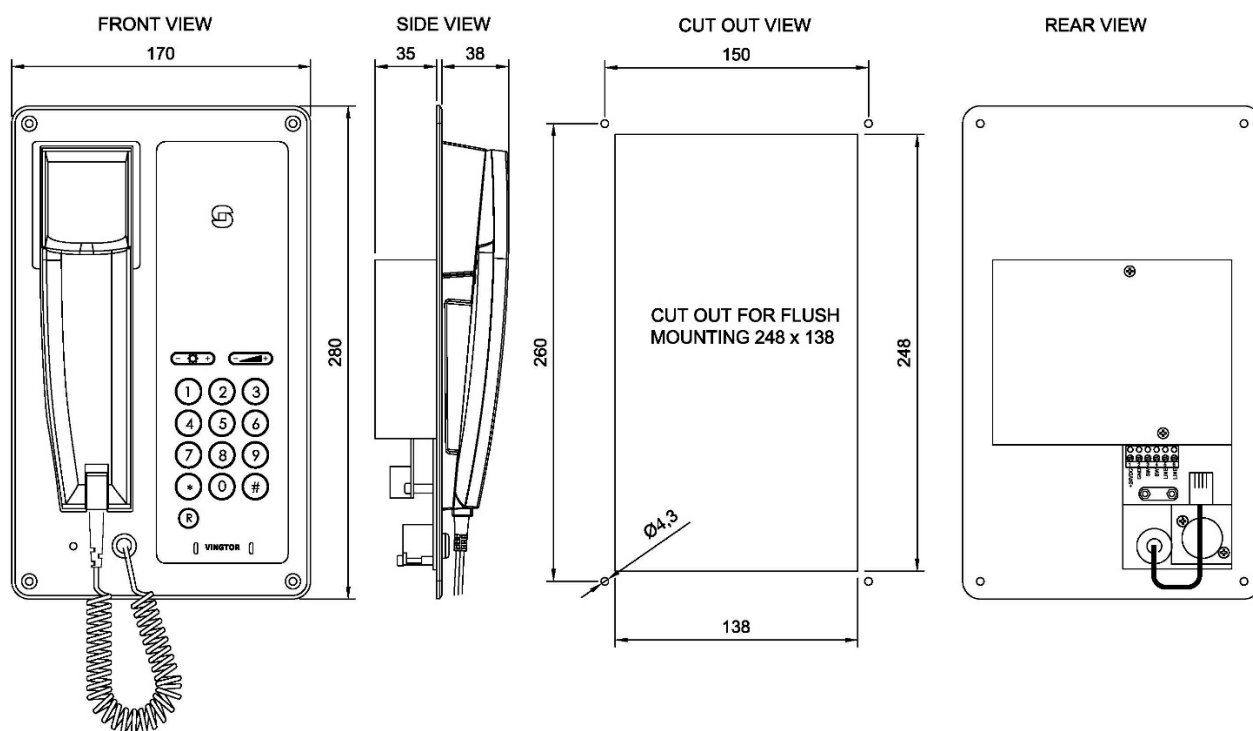
Figure 1: Top View – VAF-1

Figure 2: Rear View w/ cover

Figure 3: Rear View w/o cover

2 Mounting

Cut out 248 x 138mm in console and mount the VAF-1 with four M4 counter sunk screws.



Type of screws depending of the console material (not part of the delivery)

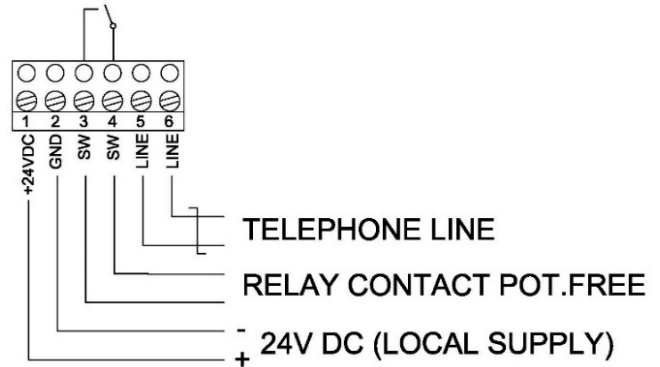
3 Connecting the Terminals



Make sure that the cables have a necessary length for maintenance.

Ref. Figure 2, (9-10)

1. Thread the cable (s) through the cable clamp(10), and tighten with the two screws
2. Connect the telephone line, twisted cable and 24 VDC to the terminal block (9)
(For back light only)
3. "Relay contact Pot.Free" = Optional for extra signal device
(Current limit 170mA)



4 Set Recall button Timing, Dialing type, Ringer frequency, and System modus

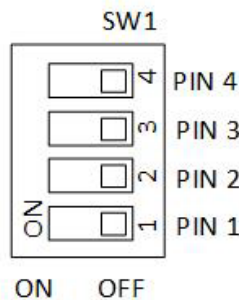


Flash time default is 100ms.

Ref. Figure 3, (11)

Ref. Figure 3, (12)

1. Set Recall button timing by using dipswitch SW1 Pin 1 & 2
2. Set Dialing type by using dipswitch SW1 Pin 3
3. Set Ringer frequency by using dipswitch SW1 Pin 4
4. Set jumper J2 in position ACM for AlphaCom system modus
5. Set jumper J2 in position N for PBX system modus



Recall button timing			Dialing type		Ringer frequency	
Pin 1	Pin 2	Timing	Pin 3		Pin 4	
OFF	OFF	30ms	ON	Pulse	ON	Ringer frequency HIGH
ON	OFF	60ms	OFF	DTMF	OFF	Ringer frequency LOW
OFF	ON	100ms	-	-	-	-
ON	ON	150ms	-	-	-	-

DOC NO.

A100K11770

02.08.2017

customer.service@zenitel.com



Zenitel and its subsidiaries assume no responsibility for any errors that may appear in this publication, or for damages arising from the information therein. VINGTOR-STENTOFON products are developed and marketed by Zenitel. The company's Quality Assurance System is certified to meet the requirements in NS-EN ISO 9001. Zenitel reserves the right to modify designs and alter specifications without notice. **ZENITEL PROPRIETARY**. This document and its supplementing elements, contain Zenitel or third party information which is proprietary and confidential. Any disclosure, copying, distribution or use is prohibited, if not otherwise explicitly agreed in writing with Zenitel. Any authorized reproduction, in part or in whole, must include this legend. Zenitel – All rights reserved.