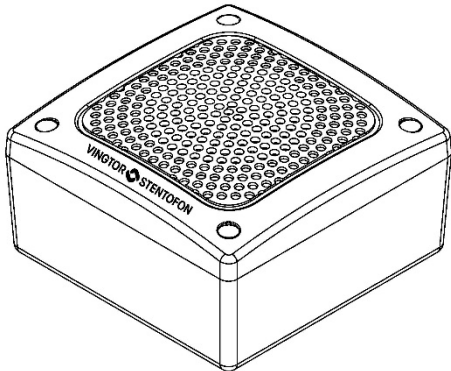


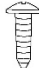


## BSWT-6T Loudspeaker Installation Guide

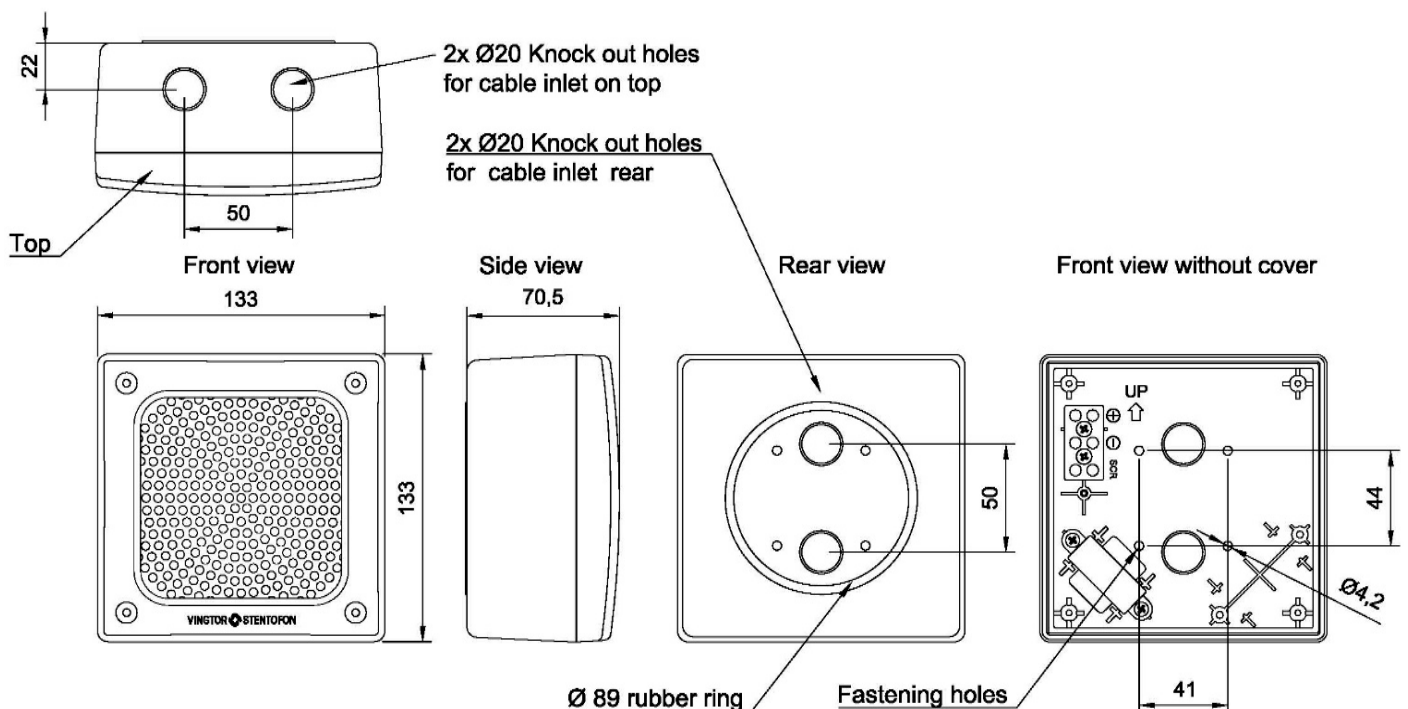
| Item Number | Item Name | Description                     |
|-------------|-----------|---------------------------------|
| 2131000137  | BSWT-6T   | On-wall speaker, 100V, IP65, 6W |

### 1 Contents of the delivery

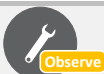


-  4 pcs rubber plugs for the fastening screws
-  4 screw 3.5 x 12 stainless steel for fastening the cover
-  4 screw 3.7 x 15 stainless steel for fastening the main box

### 2 Dimension and mounting details



- Fastening the rear box to wall or ceiling by using the 4xscrew 3.7 x 15mm stainless steel or other suitable screws depending on the material of the surface
- Lead the cable through the cable inlet side by knocking out the two Ø20 holes or by using cable gland type M20. Cable inlet rear by knocking out two Ø20

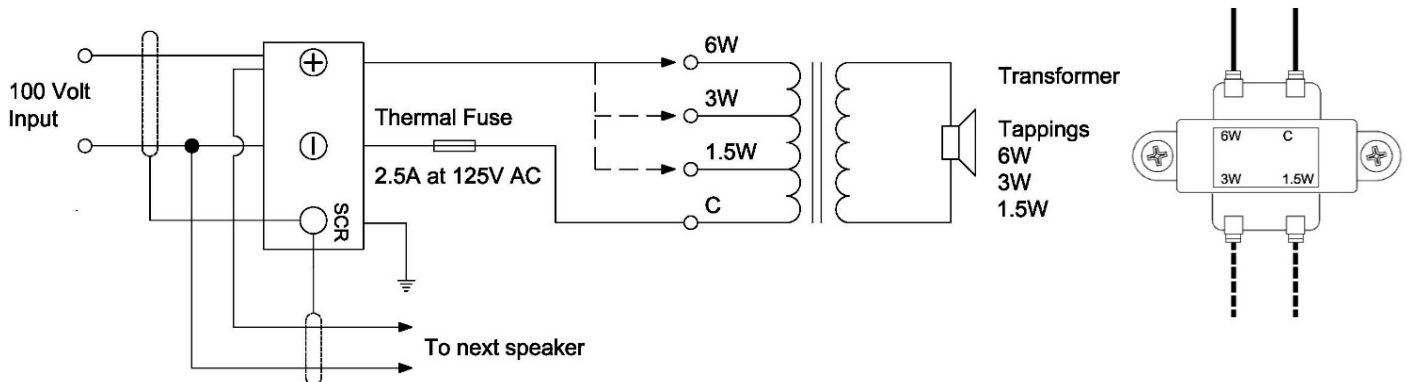


*If the rear cable inlet is used and the loudspeaker is mounted on plane surface, the rubber ring will replace cable glands*

## 3 Connections



Do not open loudspeaker when energized



- Cable requirements:  
Approved ships cable 0,5 – 1,5 mm<sup>2</sup> with outer braided tinned copper screen. The screens must be interconnected and grounded in a common ground point in the central unit only
- Optional tapping 1.5W, 3W or 6W by changing cable position as shown in the figure. C is common



The loudspeaker must be connected to a 100V voltage amplifier line

## 4 Specifications

|                             |  |
|-----------------------------|--|
| Dimensions                  | 133 x 133 x 70,5 mm                      |
| Woofer size                 | 3"                                       |
| Mounting                    | Screw Mount                              |
| IP rating                   | IP-65                                    |
| Operating temperature range | -20°C ~ + 70°C                           |
| Rated Power                 | 6W                                       |
| Max Power                   | 10W                                      |
| Power tapping               | 6-3-1.5W                                 |
| Sensitivity SPL 1W / 1m     | 89dB                                     |
| Sensitivity Max SPL, 1m     | 97dB                                     |
| Rated Voltage               | 100V                                     |
| Frequency range             | 150 ~ 16 KHZ                             |
| Termination                 | Ceramic Terminal Block With thermal fuse |
| Color                       | White RAL 9010                           |
| Weight                      | 0.68 kg                                  |

DOC NO.

**A100K11809**

21.11.2017

customer.service@zenitel.com



Zenitel and its subsidiaries assume no responsibility for any errors that may appear in this publication, or for damages arising from the information therein. VINGTOR-STENTOFON products are developed and marketed by Zenitel. The company's Quality Assurance System is certified to meet the requirements in NS-EN ISO 9001. Zenitel reserves the right to modify designs and alter specifications without notice. **ZENITEL PROPRIETARY.** This document and its supplementing elements, contain Zenitel or third party information which is proprietary and confidential. Any disclosure, copying, distribution or use is prohibited, if not otherwise explicitly agreed in writing with Zenitel. Any authorized reproduction, in part or in whole, must include this legend. Zenitel – All rights reserved.