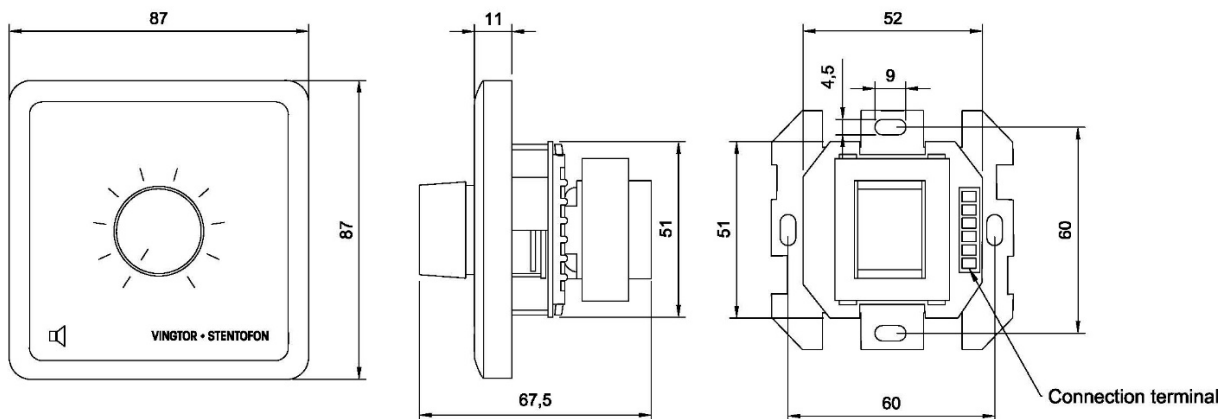


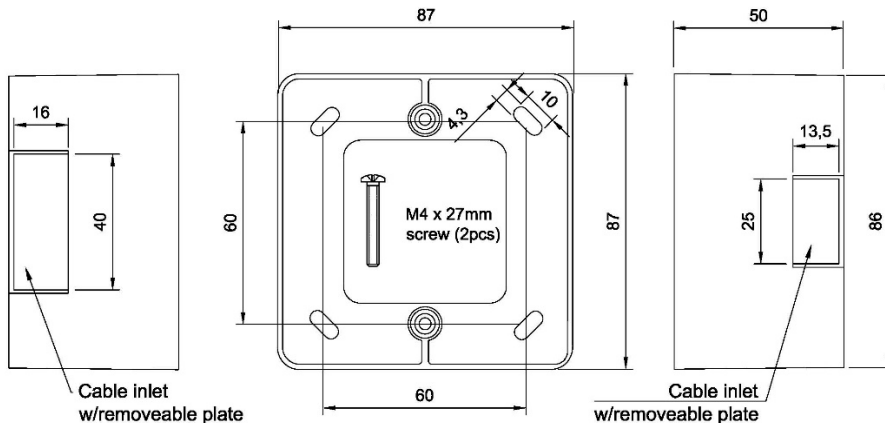
## VCOR-XX Volume Control Installation Guide

Item Number	Item Name	Description
2131000401	VCOR-15	Volume controller w/24VDC override, 15W
2131000403	VCOR-15F	Volume controller w/24VDC fail safe override, 15W
2131000402	VCOR-60	Volume controller w/24VDC override, 60W
2131000404	VCOR-60F	Volume controller w/24VDC fail safe override, 60W
2131000411	VCOR-OBOX	On-wall back box for VCOR-XX

### 1 Dimension and mounting details



On-wall box VCOR-OBOX



#### On wall mounting

Use 4mm screws. Type of screw depending of the surface

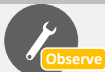
#### Cable inlet

By using the two removable plates

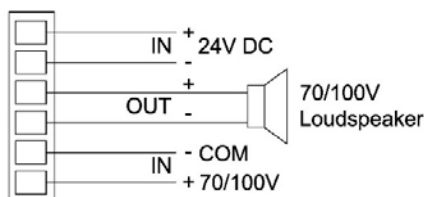
#### Flush mounting

We recommend mounting box Schneider type RKE 06

### 2 Connection



Make sure that the cables have a necessary length for maintenance.



#### Cable requirements:

Approved ships cable 0,5 – 1,5 mm<sup>2</sup> with outer braided tinned copper screen. The screens must be interconnected and grounded in a common ground point in the central unit only