

# VINGTOR STENTOFON

## Turbine Compact IP Mounting Manual

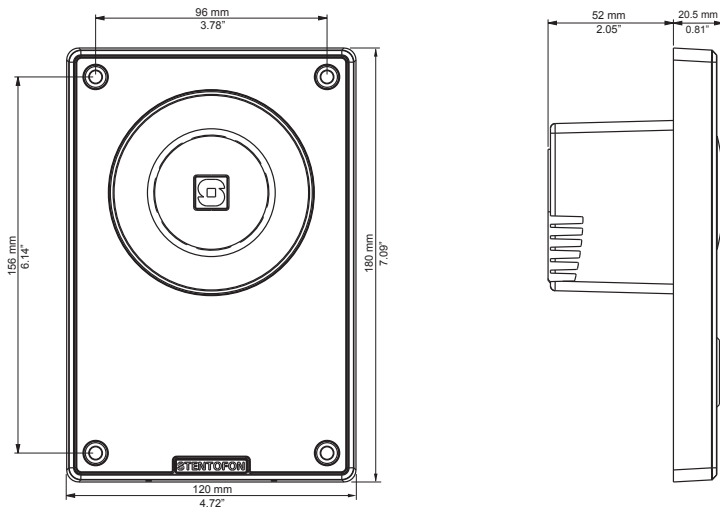
### 1 Turbine Compact IP Stations

This document describes the dimensions, mounting procedure, and connections of the Turbine Compact IP Stations. The Turbine Compact IP product range comprises the following stations & accessories:

Item Number	Type	Item Name
1008111010	TCIS-1	Turbine Compact IP Standard-1
1008111020	TCIS-2	Turbine Compact IP Standard-2
1008111030	TCIS-3	Turbine Compact IP Standard-3
1008111040	TCIS-4	Turbine Compact IP Standard-4
1008111050	TCIS-5	Turbine Compact IP Standard-5
1008111060	TCIS-6	Turbine Compact IP Standard-6
1008113020	TCIA-2	Turbine Compact Analog over IP Intercom
1008140010	TA-1	Turbine On-Wall Back Box
1008140020	TA-2	Turbine Flush Mount 2-Gang Double-Depth Back Box
1008140050	TA-5	Turbine Bracket for Flush Mount Back Box

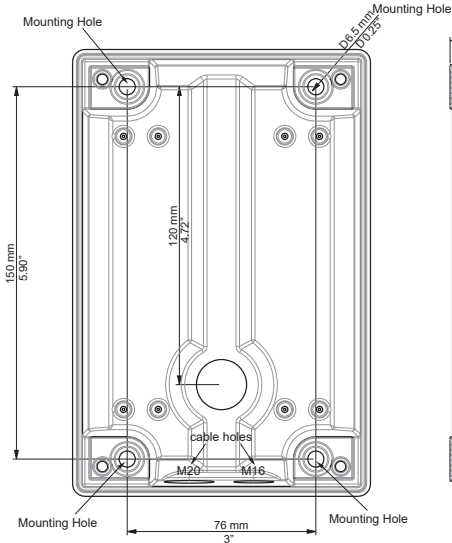


#### 1.1 TCIS Compact Station Dimensions



## 2 On-Wall Surface Mounting

### 2.1 On-Wall Surface Mount Back Box - TA-1



Mounting holes are to be drilled as shown.

Max. recommended screw diameter: ISO M6 or ANSI 1/4".  
Screw length must be greater than 25 mm or 1".

A4 stainless steel socket head screws/bolts are recommended.  
Max. recommended screw head diameter: 9.5 mm or 3/8".

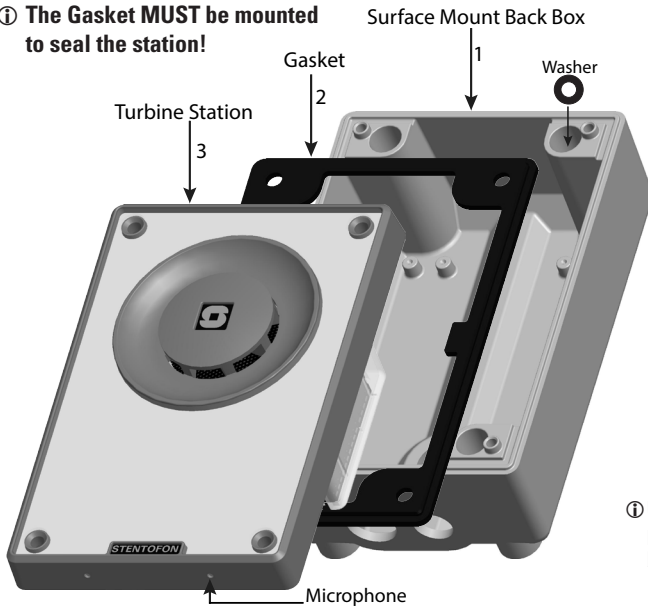
Optional washers for extra protection against corrosive effects between surfaces are provided.

They should be placed at the bottom of the 4 mounting holes.

Grommets and an M20 cable gland are provided.

### 2.2 On-Wall Surface Mounting Procedure

#### ① The Gasket **MUST** be mounted to seal the station!



① Ensure the station is mounted vertically with the microphone aperture facing down.

① Ensure there is enough clearance under the station so that the microphone aperture is not smothered.

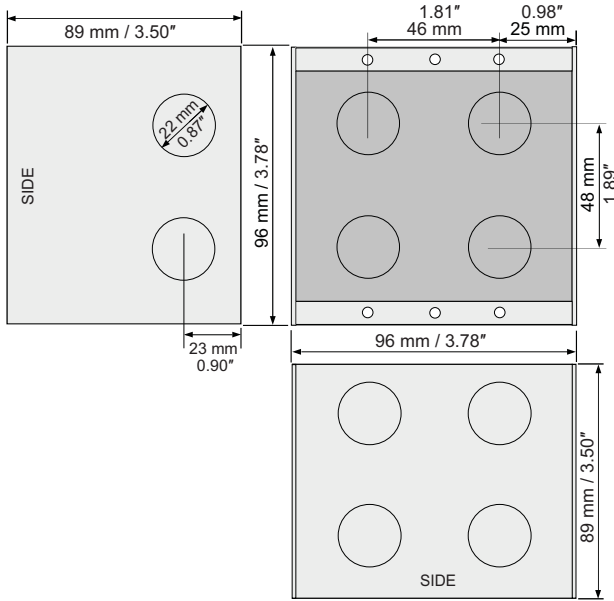
① Place the washers at the bottom of the 4 mounting holes on the back box.

① Use the grommets and M20 cable gland provided for the cable holes on the back box

1. Mount the back box onto the wall
2. Fit the gasket onto the back box with the ridged side facing down
  - Plug the Ethernet cable into the RJ-45 port on the station
3. Mount the Turbine station onto the back box with the M5 fasteners provided

### 3 Flush Mounting

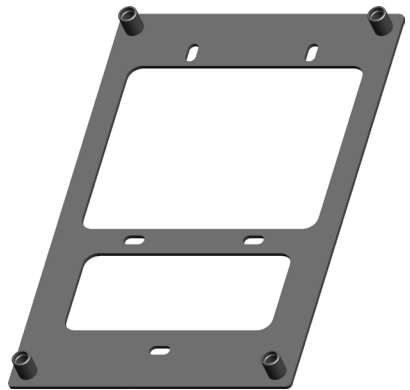
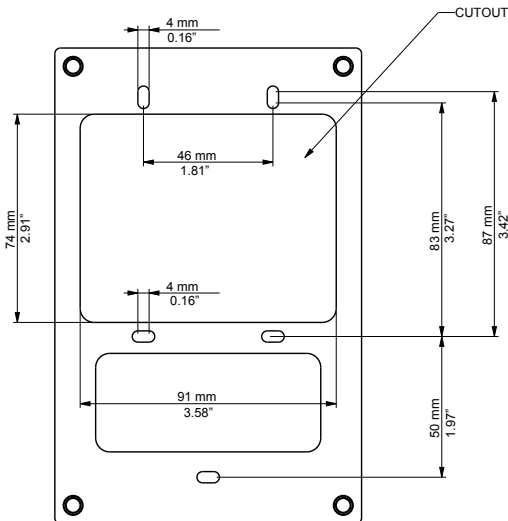
#### 3.1 Flush Mount 2-Gang Double-Depth Back Box - TA-2



① It is recommended to utilize back boxes with weep holes at the bottom.

#### 3.2 Flush Mount Bracket - TA-5

① The TA-5 Bracket is mandatory for flush mounting.

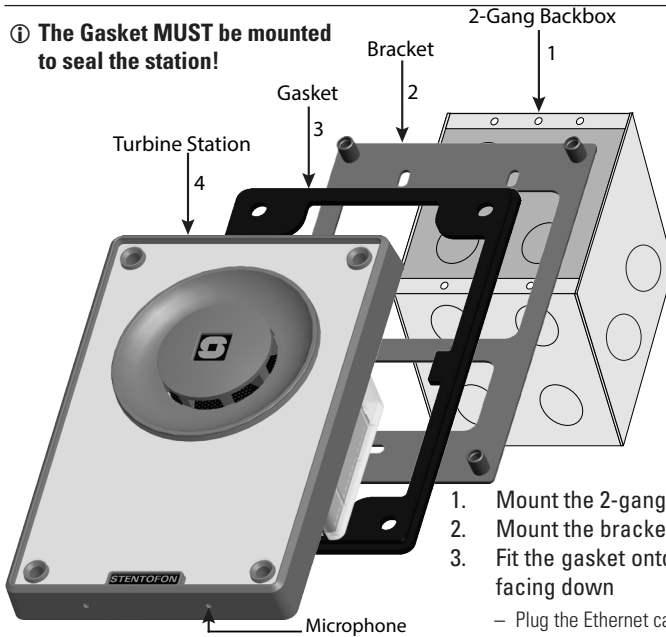


Fits US 2-GANG electrical boxes.

Recommended screw diameter: up to M4 (5/32")  
Use screw recommended by back box manufacturer.

### 3.3 Flush Mounting Procedure

① **The Gasket MUST be mounted to seal the station!**

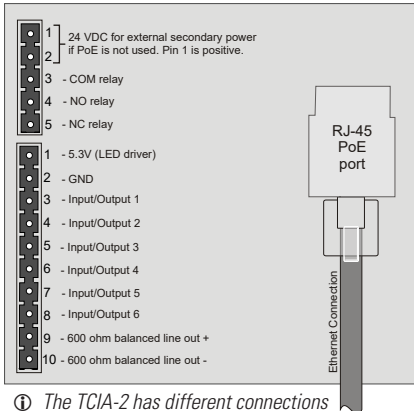


- ① **Ensure the station is mounted vertically with the microphone aperture facing down.**
- ① **Ensure there is enough clearance under the station so that the microphone aperture is not smothered.**

1. Mount the 2-gang back box into the wall
2. Mount the bracket onto the back box
3. Fit the gasket onto the bracket with the ridged side facing down
  - Plug the Ethernet cable into the RJ-45 port on the station
4. Mount the Turbine station onto the bracket with the M5 fasteners provided

## 4 Connections

The Turbine Compact IP station has a RJ-45 PoE/LAN port, and 6-pin & 10-pin external connectors.



Ethernet / Power	10/100 Mbps Ethernet RJ-45 port for LAN (uplink) connection. Supports PoE (802.3af). Draws power from either spare line or signal line.
Secondary Power	24 VDC (16 – 48 V) secondary power is provided from an external adapter.
Relays	There is one Double Throw relay contact with 60W switching power. COM, NO, NC contacts are provided. Max: 250VAC/220VDC, 2A, 60W.
Input/Output	6 I/Os are available. Each I/O can be configured as either input, output, or LED driver.
Audio Line Out	A balanced 600 ohm audio line out with induction loop signal

① *The TCIA-2 has different connections*

① *Use cables crimped with ferrules for terminal block connectors*



- When the Turbine Station is connected to the network, its IP address is automatically obtained from a DHCP server or an IP address in the range 169.254.x.x will be assigned.
- To make the station speak its IP address, press the call button on the station.

DOC NO.

**A100K11254**

27.9.2017

customer.service@zenitel.com



Zenitel and its subsidiaries assume no responsibility for any errors that may appear in this publication, or for damages arising from the information therein. STENTOFON-VINGTOR products are developed and marketed by Zenitel. The company's Quality Assurance System is certified to meet the requirements in NS-EN ISO 9001. Zenitel reserves the right to modify designs and alter specifications without notice. ZENITEL PROPRIETARY. This document and its supplementing elements, contain Zenitel or third party information which is proprietary and confidential. Any disclosure, copying, distribution or use is prohibited, if not otherwise explicitly agreed in writing with Zenitel. Any authorized reproduction, in part or in whole, must include this legend. Zenitel – All rights reserved.