

VINGTOR STENTOFON

TCAS Turbine Compact Analog

Mounting Manual

1 Turbine Compact Analog Stations

This document describes the dimensions, mounting procedure, and connections of the Turbine Compact Analog Stations. **Zenitel takes no responsibility for damages caused by improper or inadequate mounting.** The Turbine Compact Analog product range comprises the following stations & accessories:

Item Number	Type	Item Name
1008114010	TCAS-1	Turbine Compact Analog - thermoplastic front plate
1008114020	TCAS-2	Turbine Compact Analog - stainless steel front plate
1008114030	TCAS-3	Turbine Compact Analog - thermoplastic front plate
1008140010	TA-1	Turbine On-Wall Back Box
1008140030	TA-3	Turbine Flush Mount 2-Gang Back Box
1008140050	TA-5	Turbine Bracket for Flush Mount Back Box



TCAS-1

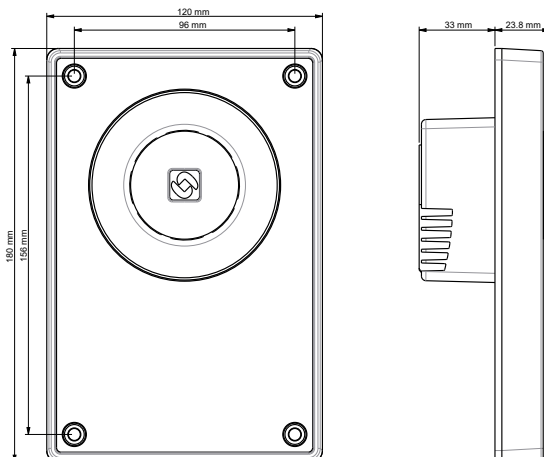


TCAS-2



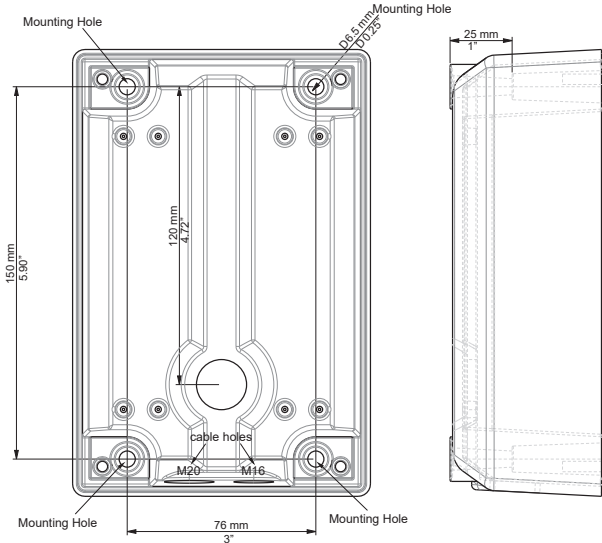
TCAS-3

1.1 TCAS Compact Station Dimensions



2 On-Wall Surface Mounting

2.1 On-Wall Surface Mount Back Box - TA-1



Mounting holes are to be drilled as shown.

Max. recommended screw diameter: ISO M6 or ANSI 1/4".
Screw length must be greater than 25 mm or 1".

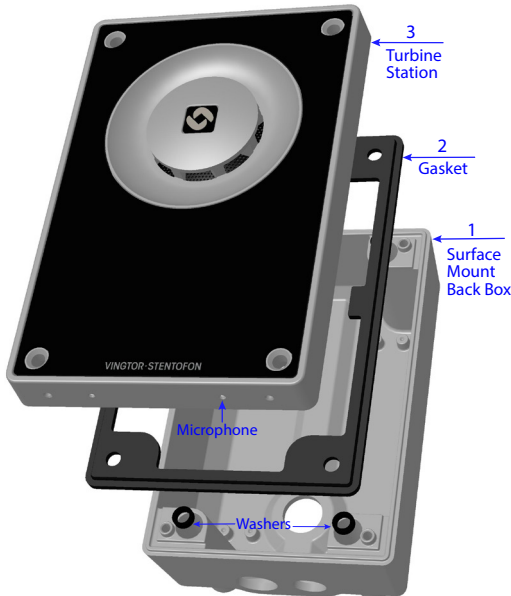
A4 stainless steel socket head screws/bolts are recommended.
Max. recommended screw head diameter: 9.5 mm or 3/8".

Optional washers for extra protection against corrosive effects between surfaces are provided.

They should be placed at the bottom of the 4 mounting holes.

Grommets and an M20 cable gland are provided.

2.2 On-Wall Surface Mounting Procedure

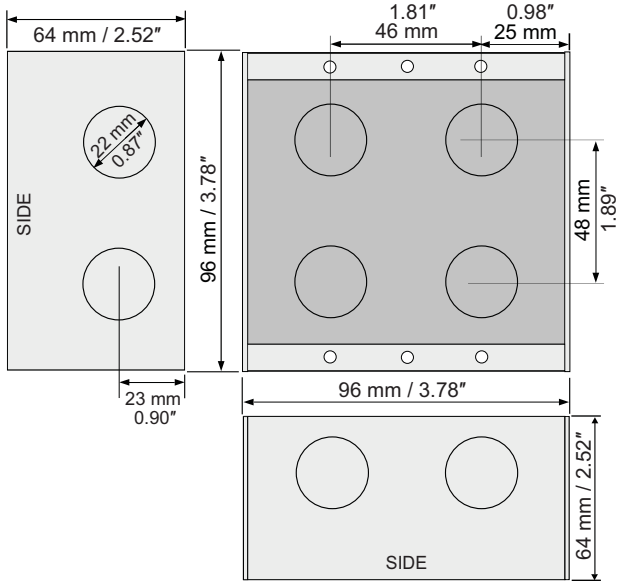


- ① **The Gasket MUST be mounted to seal the station!**
- ① **Ensure the station is mounted vertically with the microphone aperture facing down.**
- ① **Ensure there is enough clearance under the station so that the microphone aperture is NOT smothered.**
- ① **Place the washers at the bottom of the 4 mounting holes on the back box.**
- ① **Use the grommets and M20 cable gland provided for the cable holes on the back box.**

1. Mount the back box onto the wall
2. Fit the gasket onto the back box with the ridged side facing down
 - Plug the AlphaCom cable into the RJ-45 port on the station
3. Mount the Turbine station onto the back box with the M5 fasteners provided applying 1.5 Nm torque

3 Flush Mounting

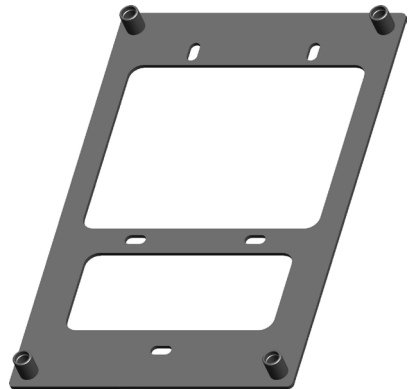
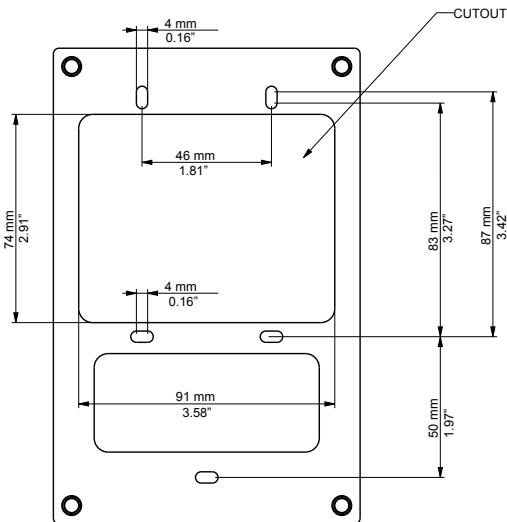
3.1 Flush Mount 2-Gang Back Box - TA-3



① It is recommended to utilize back boxes with weep holes at the bottom

3.2 Flush Mount Bracket - TA-5

① **The TA-5 Bracket is mandatory for flush mounting.**

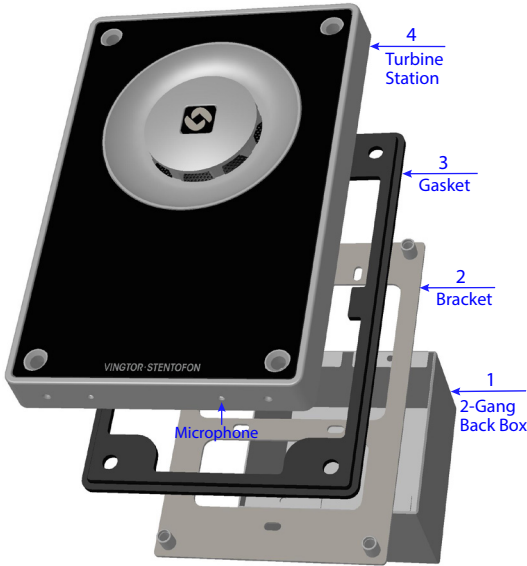


Fits US 2-GANG electrical boxes.

Recommended screw diameter: up to M4 (5/32")
Use screw recommended by back box manufacturer.

3.3 Flush Mounting Procedure

① **The Gasket MUST be mounted to seal the station!**

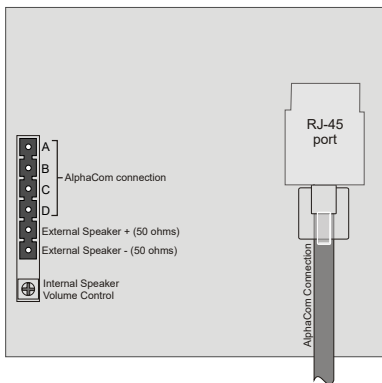


- ① Ensure the station is mounted vertically with the microphone aperture facing down.
- ① Ensure there is enough clearance under the station so that the microphone aperture is NOT smothered.
- ① Apply silicone sealant all around the aluminum frame of the station, making sure to leave the microphone aperture open.

1. Mount the 2-gang back box into the wall
2. Mount the bracket onto the back box
3. Fit the gasket onto the bracket with the ridged side facing down
 - Plug the AlphaCom cable into the RJ-45 port on the station
4. Mount the Turbine station onto the bracket with the M5 fasteners provided

4 Connections

The Turbine analog station has an RJ-45 port and 6 external connectors.



Power	Draws power from AlphaCom signal line.
RJ-45 port	AlphaCom connection
A, B, C, D wires	AlphaCom connection when RJ-45 port is not used.

- ① Use cables crimped with ferrules for terminal block connectors

To set up the analog station as an intercom:

1. Connect the RJ-45 port on the station to the AlphaCom server/exchange
2. Register the station in the AlphaCom server/exchange