



1023560500

EINS-1

Exigo Intelligent Noise Sensor - Industrial RJ45

Exigo Intelligent Noise Sensor for Automatic Volume Control

 Automatic Volume  Automatic Gain Control

Description

- ✓ Continuous measurement of ambient noise level and reports to Exigo amplifiers via TCP/IP network
- ✓ To be used together with Exigo Network Amplifiers (ENA2100, ENA2200, ENA2400)
- ✓ Single sensor can report to multiple amplifier in the same audio zone
- ✓ PoE powered, native IP device
- ✓ Auxiliary DC power for redundancy (on request only)
- ✓ Dust- and water-protected to IP-65
- ✓ Monitoring and self-diagnostics of critical functionality
- ✓ Visible status indicators on front panel

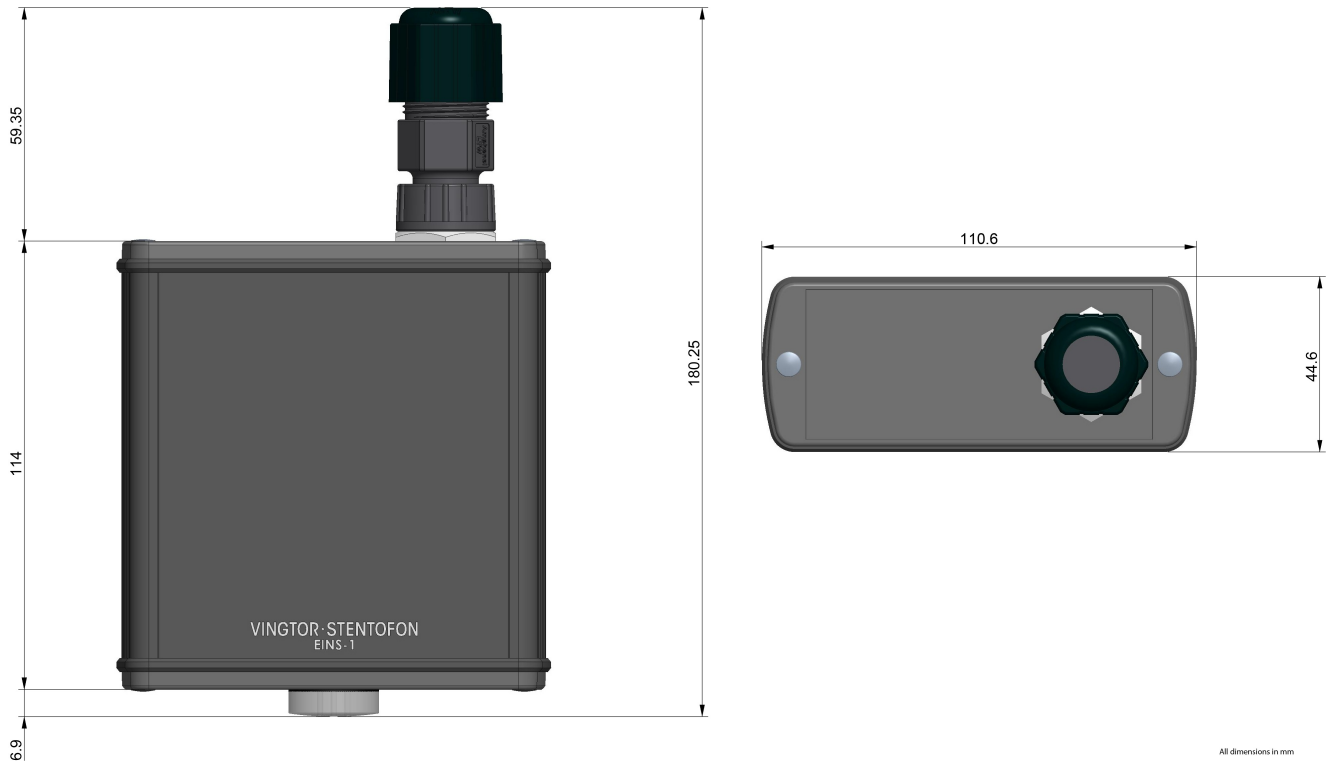
The EINS-1 Industrial Ambient Noise Sensor is a rugged device, designed to measure ambient noise levels in open areas such as railway platforms, tunnels, oil platforms, etc. The powder coated aluminum housing with IP-65 grade is designed to withstand harsh weather conditions such as heat, cold, rain and wind, therefore making it suitable for outdoor deployments. EINS-1 is a native IP device that connects to Exigo amplifiers via the TCP/IP network and report ambient noise level continuously. There can be more than one EINS-1 per audio zone, while a minimum of one EINS-1 necessary per audio zone.

The EINS-1 can be mounted on a vertical wall, ceiling or on a pole.

The Automatic Volume Control (AVC) algorithm runs on Exigo amplifiers that uses one or more EINS-1 per audio zone to measure the ambient noise level and compensate speaker output gain by raising the Sound

Pressure level (SPL) with increasing ambient audio level. This will result in a consistent Signal-to-Noise Ratio (SNR), therefore making sure that Public Address announcements can be heard loud and clear.

Technical Dimensions



Spécifications

MECHANICAL

Dimensions (WxHxD)	110.6 x 44.6 x 114 mm (110.6 x 44.6 x 180.25 mm including connectors)
Weight	0.75 kg
Mounting	On-wall , ceiling, pole, etc. (On-request only)
Color	Powder coated aluminum, graphite grey

ENVIRONMENTAL

Operating temperature	-40°C to +70°C (-40°F to +158°F)
Storage temperature	-40°C to +70°C (-40°F to +158°F)
Operating humidity	10% to 95% RH (non-condensing)
Storage humidity	10% to 95% RH (non-condensing)
Air pressure	600 hPa to 1200 hPa
IP-rating	IP-65

ELECTRICAL

PoE	YES (1 x)
Power	3W (idle) to 12,9 W (max)
Auxiliary DC power	24 V nom (16 to 48 V) - on request only
Indication	LED indication for operational status

NETWORK

Connection	1 x RJ45 (Industrial Type)
Connector, mating part	Backshell ALTW RCP-5SPFFH-SCM7001
Ethernet type	100BASE-TX
Functions	Auto negotiating, Auto MDIX
Compatibility	Exigo via ZAP

MICROPHONE

Type	Electret microphone with overhang protection
Sensitivity	-46+/-4.0dB(at f=1KHz,OdB=1V/Pa)

CERTIFICATIONS

Immunity	EN50121-4*, EN 50130-4*, EN 61000-6-1*, EN 61000-6-2*, FCC-47 part 15B*
Emission	EN50121-4*, EN 50130-4*, EN 61000-6-3*, EN 61000-6-4*, FCC-47 part 15B*

* Pending certification

Used With



ESC1

Exigo System Controller

Référence Produit:
1023000000

ENA2200

Exigo Network Amplifier 2 x
200W

Référence Produit:
1023102200

ENA2400-AC

Exigo Network Amplifier 2 x
400W AC

Référence Produit:
1023102410

ENA2060-DC1

Exigo Network Amplifier with
2 60 W Amplifier Channels
110 V DC

Référence Produit:
1023122061