

2310111115

DS-2CD6626DS-IZHS dome camera

Ultra Low-Light and ICR Day/Night Anti-Corrosion Dome Camera



- ✓ 1/1.8" progressive scan CMOS
- ✓ Up to 2.0 megapixel high resolution
- ✓ 120 dB wide dynamic range
- ✓ On-board storage, up to 128 GB
- ✓ IR distance: 10 to 30 m
- ✓ 24 VAC/12 VDC /PoE (802.3at)
- ✓ Anti-corrosion standard: WF2, C5-M, NEMA-4XMA 4X
- ✓ IP 67
- ✓ 1 m pigtail included

 IP67  IK10

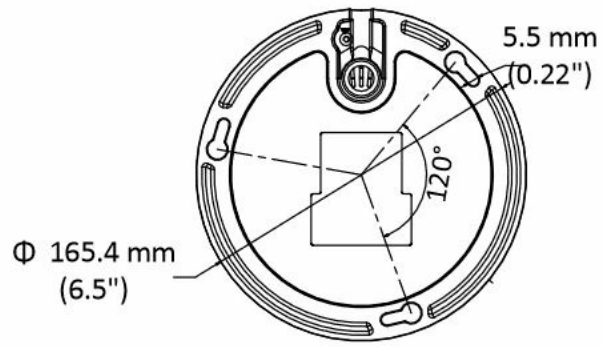
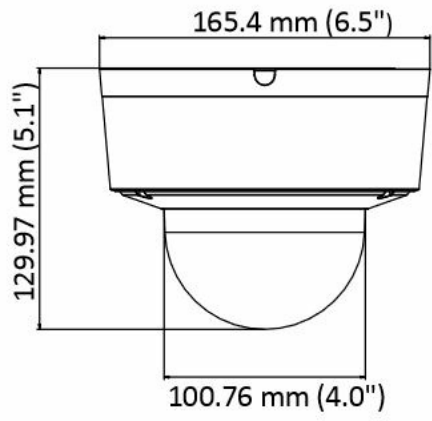
Description

DS-2CD6626DS-IZHS 2MP Ultra Low-Light and ICR Day/Night Anti-Corrosion Dome Camera utilizes a 1/1.8" progressive scan CMOS sensor and a 2.8 to 12mm varifocal lens to capture images at a maximum resolution up to 1920 x 1080. With a built-in IR-cut filter, this camera can capture clear images in complete darkness up to 98' away. In addition, the camera also supports intelligent auxiliary heating.

The camera conforms to WF2 and C5-M anti-corrosion standards for avoiding acidic and NSS (neutral salt spray) corrosion, making it suitable for applications such as chemical plants, ports, ships, and coastal roads. Enclosed in an IP67-rated weather-resistant housing, this camera is suitable for outdoor applications.

- ✓ 316L stainless steel enclosure, protecting cameras to be used in corrosive environments, providing reliability and longevity compared to standard cameras
- ✓ A built-in heater allows for start-up in ultra-low temperatures to -40
- ✓ IP67 water resistant, preventing water ingress for outdoor use
- ✓ DarkFighter technology enables the capture of high quality color images in even the dimmest lighting environments

Technical Dimensions



Spécifications

DESCRIPTION

Image Sensor	1/1.8" Progressive Scan CMOS
Signal System	PAL/NTSC
Min. Illumination	0.002 Lux @ (F1.2, AGC ON), 0 Lux with IR
Shutter time	1 s to 1/100,000 s
Lens	2.8-12mm F1.4, angle of view: 92°~32°
Adjustment Range	Pan: 0°~355°, tilt: 0°~75°, rotation: 0°~355°
Day& Night	IR cut filter with auto switch
Wide Dynamic Range	120 dB
Digital noise reduction	3D DNR
Video Compression	H.264/MJPEG/MPEG4
H.264 code profile	Base Line Profile/ Main Profile/ High Profile
Video bit rate	32Kbps~16Mbps
Audio Compression	-S: G.711/G.722.1/G.726/MP2L2
Audio bit rate	64Kbps(G.711) / 16Kbps(G.722.1) / 16Kbps(G.726) / 32- 128Kbps(MP2L2)
Dual Stream	Yes
Max. Image Resolution	1920 x 1080
Frame Rate	50Hz: 50fps (1920 x 1080,1280 x 960,1280 x 720); 60Hz: 60fps (1920 x 1080,1280 x 960,1280 x 720)
Image Settings	Rotate mode, Saturation, Brightness, Contrast adjustable by client software or web browser
Day/Night Switch	Auto, Schedule, Alarm trigger
Alarm Trigger	Motion detection, tampering alarm, network disconnect , IP address conflict, storage exception
Protocols	TCP/IP,ICMP,HTTP,HTTPS,F TP,DHCP,DNS,DDNS,RTP,R TSP,RTCP PPPoE,NTP,UPnP,SMTP,SN

General Function	One-key recovery, Anti-Flicker, three streams, heartbeat, mirror, password protection, video mask, Watermark, IP address filtering
Audio	1-ch audio in, Mic in/Line in; 1-ch audio out
Communication Interface	1x RJ45 10M / 100M Ethernet interface
Alarm	1 Input /1 output (up to DC24V 1A or AC110V 500mA)
On-board storage	Built-in Micro SD/SDHC/SDXC slot, up to 128 GB
Smart Feature-set	Behavior Analysis, Line Crossing Detection, Intrusion Detection, Region Entrance, Region Exiting, Unattended Baggage, Object Removal
Operating Conditions	-30 °C – 60 °C; Humidity 95% or less (non-condensing)
Power Supply	24 VAC/12 VDC/PoE (802.3at)
Power Consumption	16W MAX
Weather Proof	IP67
IR Range	Up to 30m
Dimensions	Φ165.4 × 126.2
Weight	3360g

Accessoires



SST 316L Junction Box

Junction box for OC-series CCTV cameras DS-1284ZJ-M

Référence Produit: 2310111123



DS-1703ZJ Wall bracket

Anti-Corrosion Wall Mounting Bracket for Dome Camera

Référence Produit: 2310111121