

1007085000

## Industrial Substation

Heavy Duty



### Description

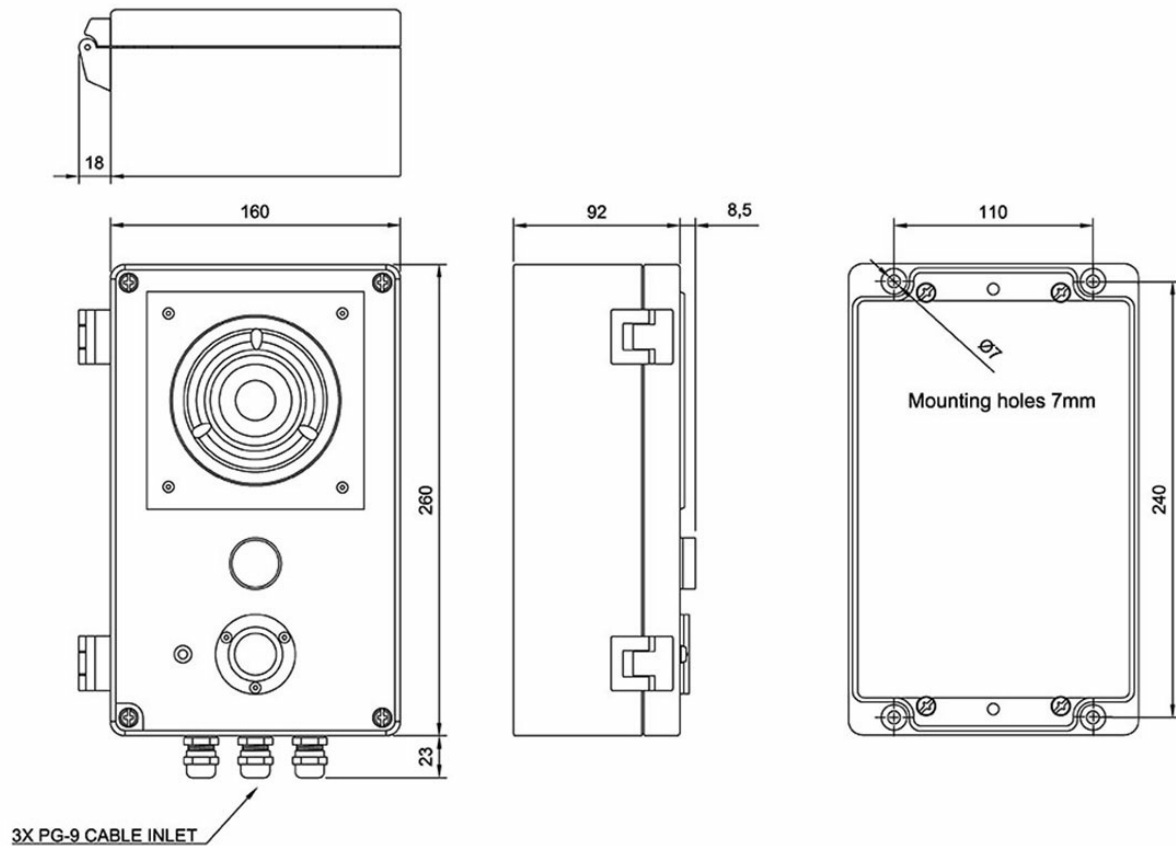
- ✓ Programmable call button
- ✓ Rugged waterproof and dustproof casing in orange aluminium alloy
- ✓ Noise cancelling dynamic microphone along with red microphone live lamp
- ✓ Built-in loudspeaker and possibility to connect an external loudspeaker. Sound level adjustable with a potentiometer inside the station
- ✓ Built-in 10 W (8 Ohm) VOX operated power amplifier for external loudspeaker
- ✓ Screw terminals for easy connection of installation cables
- ✓ Freely programmable extension number

This Industrial Substation is a waterproof model designed for humid, dirty and outdoor conditions. The station consists of a rugged waterproof and dustproof casing (IP -65) of orange aluminium alloy. The front panel is hinged to the back casing to allow easy access during installation and service. The station has screw terminals with labels

and the three glands give waterproof and dustproof connection of installation cable and loudspeaker wires.

The station is equipped with noise cancelling microphone as well as a 20 Ohm loudspeaker. The volume is adjustable with potentiometer located inside the casing. An external 20-70 Ohm speaker can be connected or, alternatively, connect an 8-20 Ohm speaker for use with the built-in 10 W (8 Ohm) VO X operated power amplifier. The power amplifier requires a separate 12 VAC / 2 Amp power supply. The external speaker must be placed at least one meter away from the station. The station is programmable for permanent private mode and is also prepared for connection of external handset unit.

## Technical Dimensions



# Specifications

## MECHANICAL

Operating voltage	From exchange without power
Amp.	12V AC / 2 Amp. with power Amp.
Cable requirements	2 pair 0.5 mmø / 24 AWG twisted telephone cable. + 1 pair
Temperature	0.8 mmø / 20 AWG (to tranformer if power amplifier is used)
Relative humidity	-40oC to +55oC
Dimensions (W X H X D)	0% - 95 %
Classifications	160 mm x 260 mm x 92 mm, 6.24" x 10.14" x 3.59"
Finish	IP 65
Sound pressure at 1 m from internal speaker	Aluminium alloy, Orange RAL 2004 paint
Max. loudspeaker output - external speaker	72 dB (0.5 mm cable x 100 m, 8.0V on subscriber board, 1 kHz)

ORDER NUMBER	DESCRIPTION	SHIP WEIGHT
1007085000	Industrial Substation, Heavy Duty	3.3 kg/7 lb. 4 oz
Accessories:		
HP-15	Horn Loudspeaker, 15 W/8 Ohm, IP-56	1.7 kg/3.7 lb
VML-1520	Horn Loudspeaker, 15 W/20 Ohm, IP-66	1.4 kg/3 lb
VMP-211	Wall Mount Handset Unit (with PTT key), IP- 44	0.9 kg/2 lb
VMP-250	Wall Mount Handset Unit (with PTT key), IP- 65	0.9 kg/2 lb
EOTRF 10115	220 V AC/12 V AC Mains Transformer (for power amplifier option)	1.4 kg/3 lb

## GENERAL

Loudspeaker impedance	20 ohm (internal speaker), 20-70 Ohm external (without power amp.), 8-20 Ohm external (with power amp.)
Frequency range	500 - 5000 Hz (+/- 8 dB)
Mic. impedance for external handset	200 - 600 ohm
Connector type	Screw terminals
Gland diameter	3 x PG9
Indicator	LED (red)

## Accessories



VMP-36-PEL

Headset with Boom  
Microphone and 10 Meter  
Cable



VMP-36-PELP

Headset with Boom  
Microphone, 10 Meter  
Cable and Plug



CD-7-VMP

Plugbox Waterproof for  
VMP-36-PELP



VMP-211

Wall Mounted Handset



VMP-250

Wall Mounted Handset  
Waterproof



VML-1520

Horn Loudspeaker 15W, 20  
OHM Waterproof



EHS-240 – Rotary  
Signal Light, 24 V DC  
(Orange)

Rotary Light 24V DC



EHS-2200 – Rotary  
Signal Light, 220 V AC  
(Orange)

Rotary Light 220VAC



Model-A

Telephone Booth



IRR-3

Relay Box