

3006102029

DHW2-24

Ex Signal Bell 24VDC



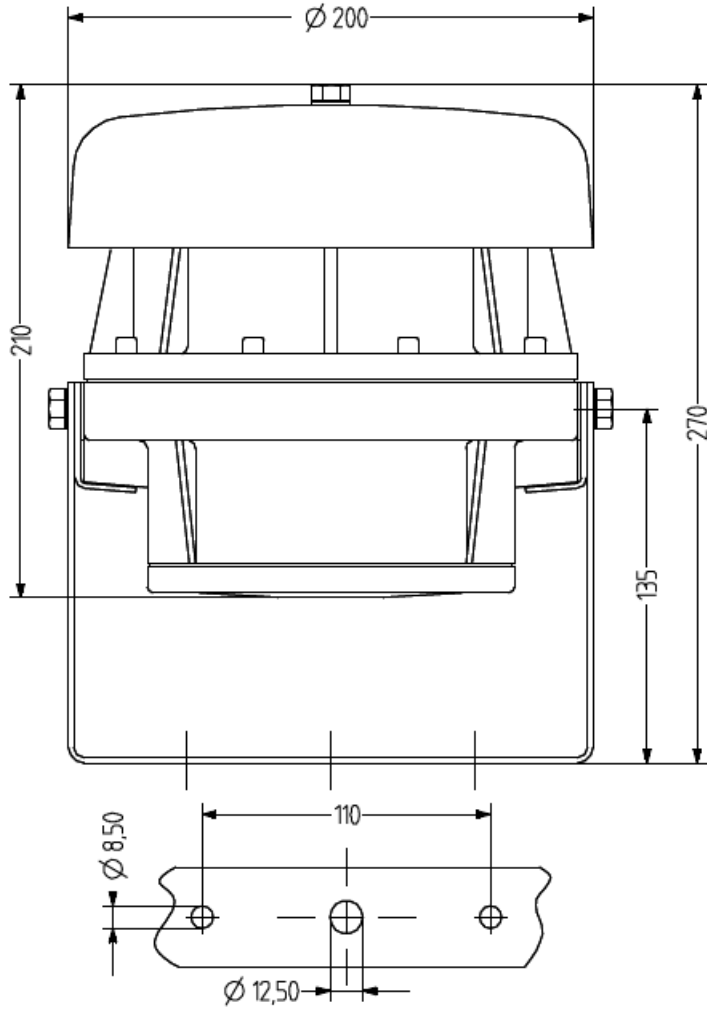
## Description

The signalling bell was designed to warn, call and signal in areas with explosive atmospheres in group II and rough ambient conditions. Explosion protection is ensured by the flameproof enclosure of the driver system and the terminal box realised in the explosion protection mode "increased safety".

Ex proof signal bell with typical bell tone for warning, calling and indication.

- ✓ Sound pressure approx. 105 dB (A)
- ✓ Acoustic signalling bell for use in areas with explosive atmospheres in Zone 1 and 2 or Zone 21 and 22
- ✓ ATEX II 2G Ex de IIC T6
- ✓ Protection category IP 66
- ✓ Plastic enclosure

# Technical Dimensions



# Specifications

## GENERAL

Housing	Ø 200mm, glass-fibre-reinforced polyester black (RAL 9005)
Weight	5.5 kg
Operating temperature	-20 to 40 °C
Cable entries	1x cable gland M20 x 1.5, 1x M20 x 1.5 with sealing plug
Ingress protection	IP-66
Nominal voltage	24 VDC
Voltage range (V)	+10 %/-15%
Nominal current (A)	0,350
Connection technology	1.5 mm <sup>2</sup> fine wire and 2.5 mm <sup>2</sup> single wire