

2340210000

## DHH1-230

EX Signal horn 230VAC 50/60 HZ WT



---

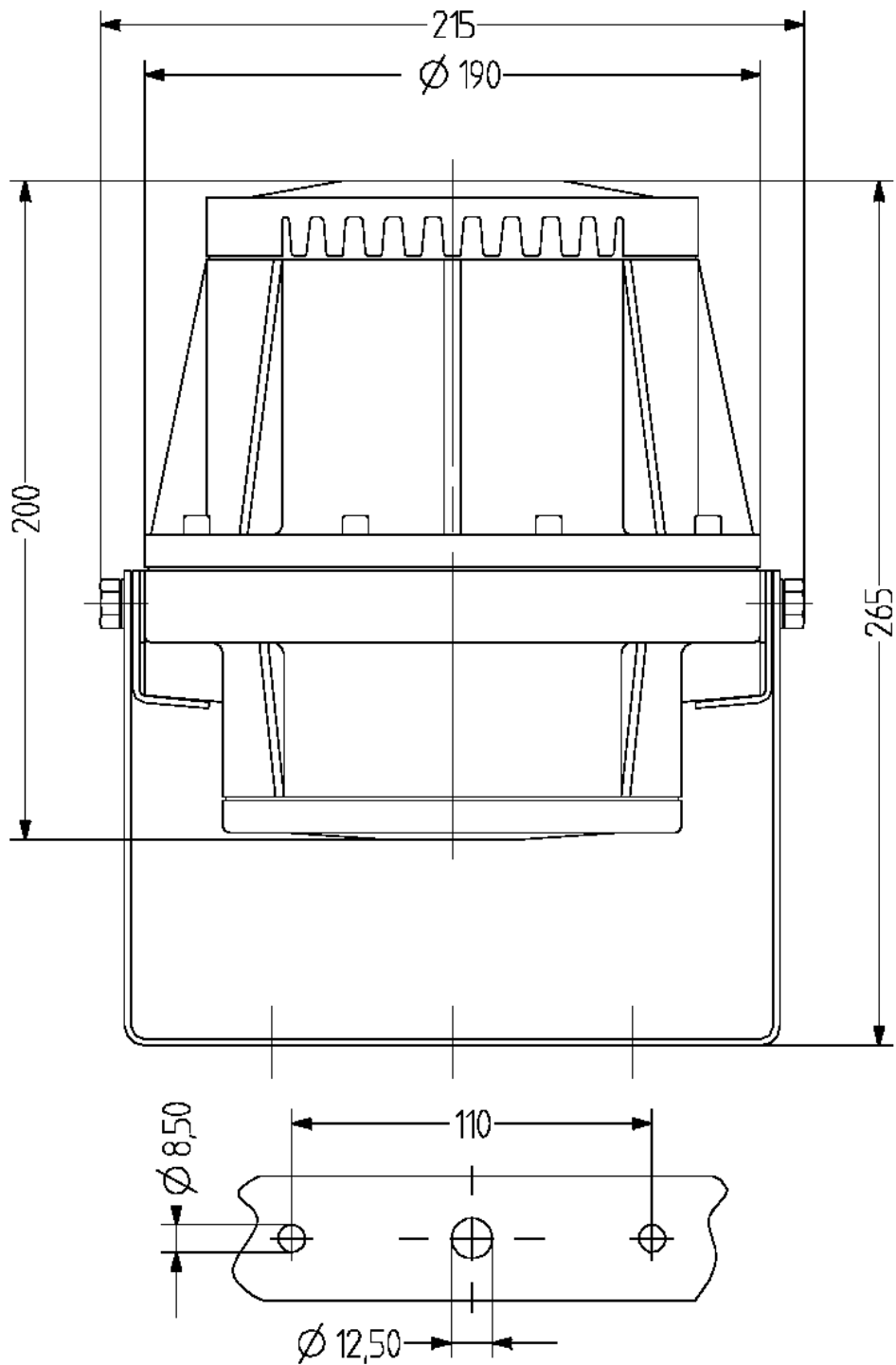
---

## Description

The signalling hooter dHH was developed for warning, calling and indicating purposes in areas with explosive atmospheres in group II and for rough ambient conditions. The enclosure is made completely of plastic thus guaranteeing protection from corrosion and insulation class II.

- ✓ Sound pressure approx. 105 dB (A)
- ✓ ATEX II 2G Ex d e IIC T5, T6 Gb
- ✓ Flame-proof enclosure "d"
- ✓ Terminal connection chamber "increased safety e"
- ✓ Degree of protection IP 66

## Technical Dimensions



# Specifications

## GENERAL

Housing	Ø 190mm, glass-fibre-reinforced polyester black (RAL 9005)
Weight	5.5 kg
Cable entry	1x cable gland M20 x 1.5, 1x sealing plug M20 x 1.5
Ingress protection	IP-66
Operating temperature	20°C/+75°C(T5), -50°C/+70°C (T6)
Type of mounting	any with rotatable bracket mounting, sound outlet preferably at front or bottom
Nominal Voltage	230 VAC
Voltage range (V)	+ 10 %/- 15 %
Nominal current (A)	0,070