

1150100010

ACM-48-V10

Standard Integrated System Rack



- ✓ Tailored to meet marine specifications
- ✓ 1-BIT digital audio technology (18.5 kHz)
- ✓ Type approved solution for two way communication, talkback, public address and general alarm for all types of vessels
- ✓ Extensive set of features for PBX and emergency communication
- ✓ Supports integrated PA and GA solution Wide range of audio terminals and signal units
- ✓ External communication and billing
- ✓ 19" swing frame provides easy access to terminals for installation and service
- ✓ Remote management and supervision using IP and Web technologies
- ✓ Redundant power input with switch over

Description

Can be Customized with a set of optional packages:

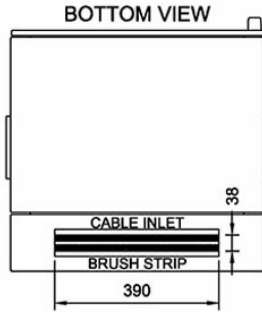
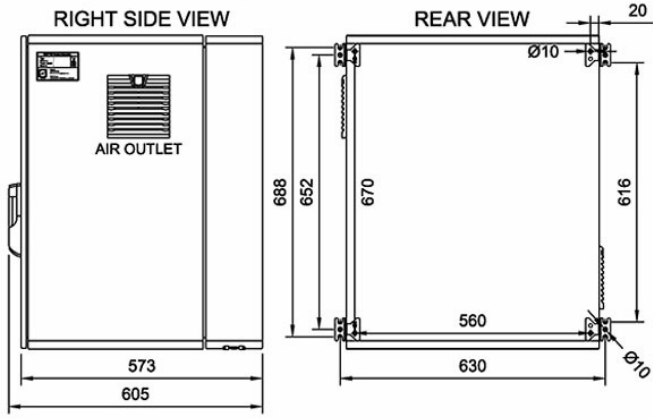
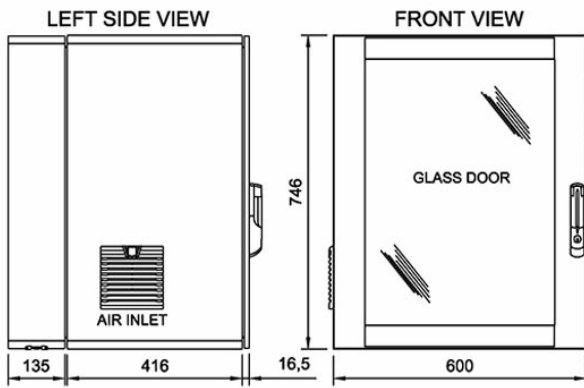
- ✓ Analogue telephone gateway (4 or 8 channels)
- ✓ GSM telephone gateway
- ✓ IP DECT system
- ✓ Industrial data switch (4 ports)
- ✓ PoE industrial data switch
- ✓ Customized directory programming

The ACM-48 Standard Integrated System is specially designed for use onboard ships. The system is based on the Vingtor-Stentofon AlphaCom E exchange featuring the latest development such as IP telephony, Web management and IP switching.

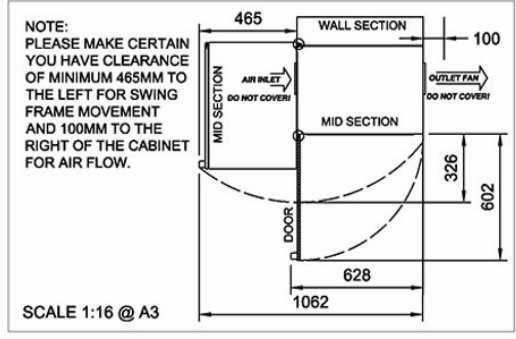
The ACM solution supports a wide range of traditional, IP and wireless communication terminals made for ship environment. The ACM intercom terminals are type approved as integrated PA, GA, telephone and talkback units. IP DECT base stations connect directly to the exchange over IP providing a very cost efficient solution to deploy a wireless network onboard. The DECT telephones, IP telephones and intercom terminals have all access to the same set of ACM features. Users will be able to enjoy the benefits of one user experience and seamless mobility as they will always be contactable regardless where they are on the ship.

The system is type approved by DNV, Rina, CCS and CRS as an integrated communication system for two way communication, talkback, public address (PA) and general alarm (GA).

Technical Dimensions



CABINET CLEARANCE



CABINET TECHNICAL DATA	
MAKER	RITTAL
MODEL	EL 7715.735
COLOR	RAL 7035
WEIGHT (BASE / MAX)	~ 70 / 95 KG

Specifications

ORDER NUMBER	DESCRIPTION	SHIP WEIGHT
1150100010	ACM-48-V10 System rack AlphaCom Marine up to 11 line boards	77,0 Kg
2990050011	ODS-750EU Inverter 750VA 24 Vdc to 230 Vac approx.645W	2,0 Kg
2990050012	ODS-1500EU Inverter 1500VA 24 Vdc to 230 Vac approx.1300W	4,0 Kg
1151004050	Multi relay board with 6 relays	0,2 Kg

GENERAL

Dimension (mm)	600W x 746H x 573D
Weight	70 kg
Mounting	Wall or floor mounted
Temperature range	0 - 55°C, recommended 18 - 25°C
Power	230 VAC MAINS with auto switch over to 230 VAC UPS, Option 230 VAC MAINS with auto switch over to 24 VDC emergency
IP class	IP-22
Subscriber capacity	Prewired for 11 subscriber line boards Max 66 traditional intercom Max 132 analogue telephone Max 552 subscriber extensions
Integrated PA and GA interface	6 relay outputs (control signal) 6 inputs (control signal) 4 audio channels out 6 audio channels in PA zone selection require custom programming
Remote control	6 relay outputs to drive signal units Option for additional 2 relay cards
Audio technology	High resolution 1-Bit audio (18.5 kHz) – Wideband IP audio (8 kHz) – adaptive jitter buffers
External interface and billing	Option analogue telephone gateway Option GSM telephone gateway Option VINGTOR Billing system
IP multi-module	Up to 4 ACM exchange racks
Data interfaces	2 x 10/100 Mbps Ethernet AutoMDIX (RJ45) 1 x RS232 serial data (RJ45)
Data networking	Option 4 port industrial data switch Option 5 port industrial power over Ethernet switch
IP protocols	IP unicast - IP multicast - IP v4 - TCPUDP - Telnet - FTP- TFTP - NTP -HTTP - HTTPS - Syslog - SNMP v2c - SIP - RTP-RTCP - VoIP AlphaNet - STENTOFON data – OPC
Remote system management	AlphaPro over IP Web