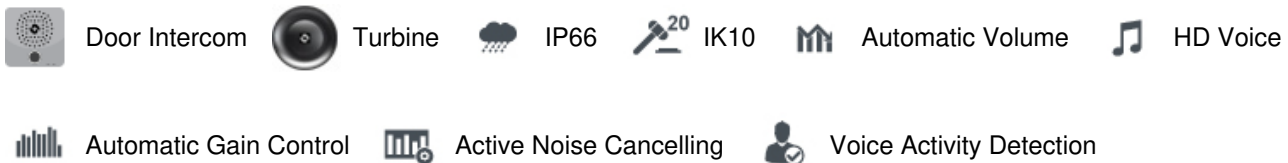


1008113020

TCIA-2

Analog over IP Intercom

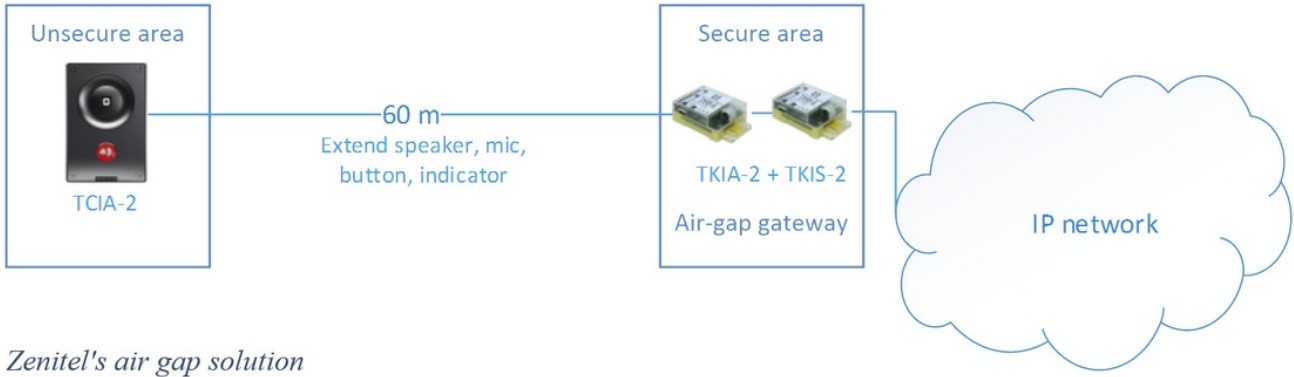


Description

- ✓ Vandal resistant Analog over IP intercom
- ✓ Combine the network security of an analog intercom with the audio features of an IP intercom.
- ✓ Up to 60 meters extended analog interface keeps your IP network port in protected area.
- ✓ Background noise cancellation
- ✓ Dirt, dust and water resistant - rating IP-66
- ✓ Built to last with robust die-cast aluminum frame - rating IK10

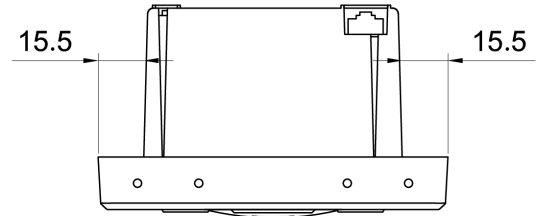
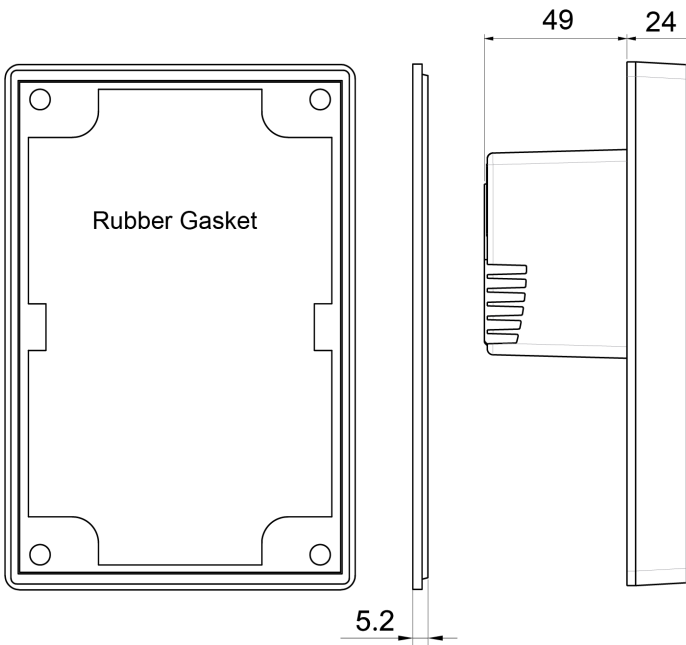
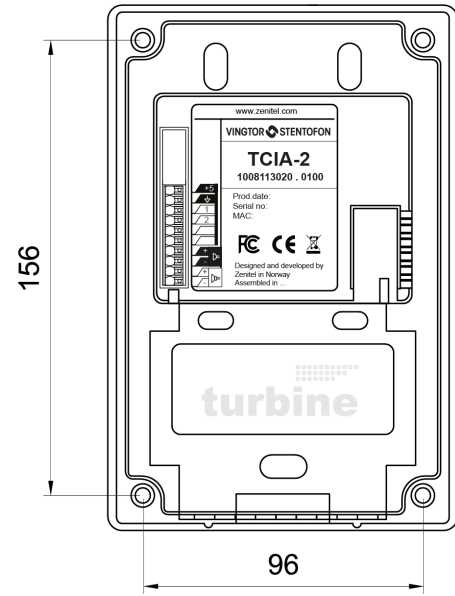
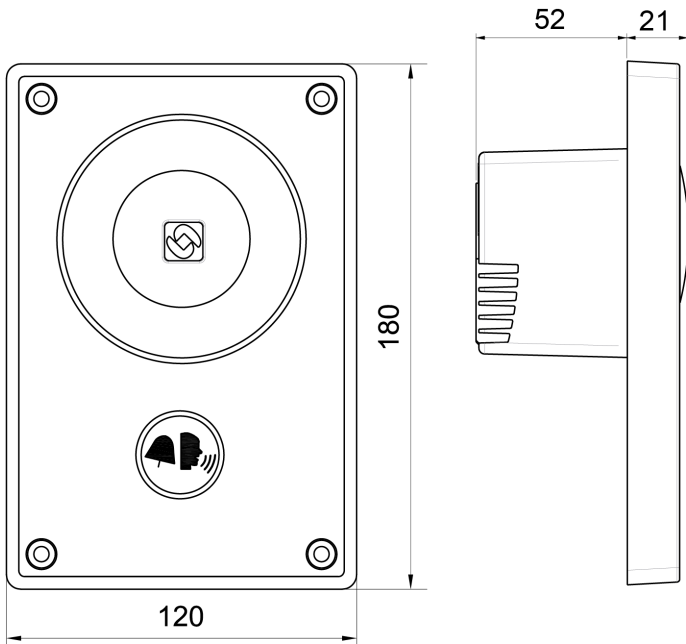
- ✓ Stainless steel front plate with one button
- ✓ Ideal for Building Security and Public Environments where you don't want to expose your physical IP network.

Zenitel's Air Gap Solution:



Zenitel's air gap solution

Technical Dimensions



All dimensions in mm

Specifications

AUDIO

Loudspeaker impedance	8 ohm
Microphone technology	Analog MEMS, omni directional microphone

HARDWARE

Connector	1 x RJ45
Power	Powered from gateway
Call indication	LED integrated in large button

CONSTRUCTION

Dimensions (HxWxD)	180 x 120 x 73 mm / 7.1" x 4.7" x 2.9"
Dimensions after flush mount	180 x 120 x 24 mm / 7.1" x 4.7" x 0.9"
Dimensions with on wall box	180 x 120 x 86 mm / 7.1" x 4.7" x 3.4"
Weight	1 kg / 2.2 lbs.
Faceplate material	3 mm / 0.12" stainless steel - AISI 403
Base/frame material	3 mm / 0.12" aluminum alloy - A413.0, AISi12Se, anodized and painted
Electronics cover material	Polycarbonate (translucent)
Gasket material	Silicone rubber
Fastening bracket material	SECC steel
Button material	3 mm / 0.12" Polycarbonate (transparent)
Button travel length	1.25 mm
Button activation force	350 gf
Button push-cycles before failure	300 000
Loudspeaker poke protection, large diameter object	3D cast aluminum speaker grille
Loudspeaker poke protection, small diameter objects	Stainless steel mesh, acoustically transparent

ENVIRONMENT AND COMPLIANCES

IP rating	IP-66, tested according to EN 60529 (applies when mounted in TA-1 back box)
IK rating	IK 10, tested according to EN 62262
Operating temperature range	-40° to 70° C / -40° to 158 ° F
Storage temperature range	-40° to 70° C / -40° to 158 ° F
Relative humidity	< 95% not condensing
Corrosion	Salty mist. tested according to EN60945
Vibration	Tested according to EN60945
UV-resistant	Yes
EMC	CE and FCC Part 15

OTHER SPECIFICATIONS

Country of manufacture	Poland
------------------------	--------

Accessories



TA-1

Turbine Compact Onwall Back Box

Item Number: 1008140010



TA-2

US 2-Gang 3 1/2" Deep Backbox

Item Number: 1008140020



TA-5

Bracket for US 2 GANG Double Depth Back Box

Item Number: 1008140050



TA-18

Turbine Compact Flush-Mount Back Box

Item Number: 1008140180



TA-14

Microphone windshield for
TCIS / TCIV

Item Number: 1008140140

Used With



TKIS-2 Audio Intercom Kit

VoIP Intercom Module

Item Number: 1008131020



TKIA-2

Analog over IP Gateway

Item Number: 1008133020



TCIA-2-P

Package with TCIA-2, TKIA-
2, TKIS-2

Item Number: 1008113120