

1020600700

VMP-250

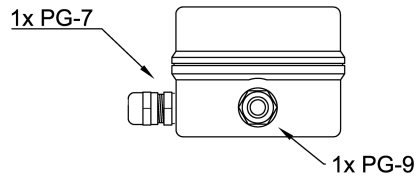
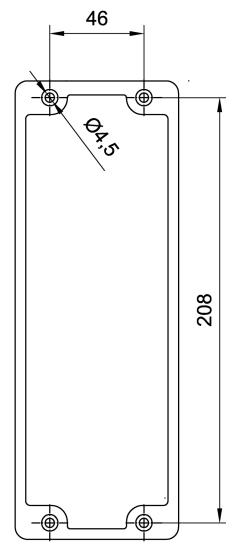
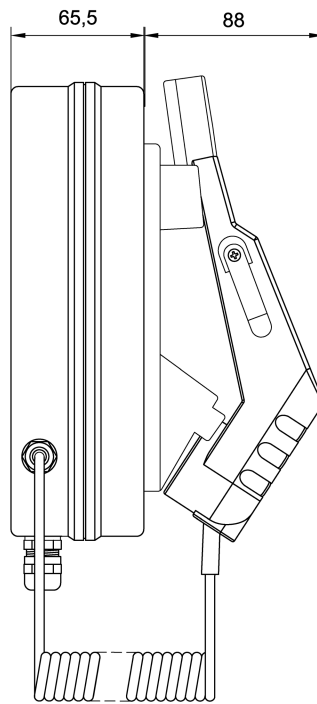
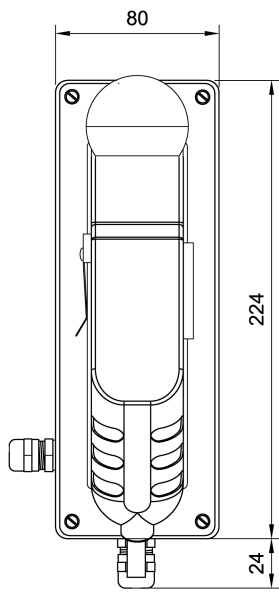
Wall Mounted Handset Waterproof



Description

- ✓ Waterproof Heavy Duty Industrial Handset
- ✓ For use on Industrial Master Stations
- ✓ The built-in loudspeaker is disconnected when lifting the handset
- ✓ Includes push to talk key in handset

Technical Dimensions



Specifications

GENERAL

Connections	Screwterminals
Material cabinet	Flame retardant blend plastic housing
Handset	RACAL RAH/B-75/4/M
Cable inlet	1x PG-9
IP class	P-65
Dimensions (WxHxD) (mm)	98 x 242 x 153
Usage temperature	-40°C to +55°C
Storage temperature	-40°C to +70°C
Humidity	5 cycles of 48 hours in accordance with MIL-STD-810,

Used With



VMP-530

Main Station Waterproof

Item Number: 1020600305



VMP-503

Main Station With Loudspeaker

Item Number: 1020600315



Industrial Substation

Heavy Duty

Item Number: 1007083000



Industrial Master Station

Noise Cancelling

Item Number: 1007082000



Industrial Substation

Heavy Duty

Item Number: 1007085000



Industrial Master Station

Heavy Duty

Item Number: 1007086000