

1023300010

## ELSIR-10C

Network Ceiling Speaker, 10W, Ethernet



---

---

## Description

This Vingtor-Stentofon IP speaker features a 10W Class D amplifier, utilizing all the power that PoE is capable of. This means that the speaker is capable of delivering more than 100dB, depending on the signal input.

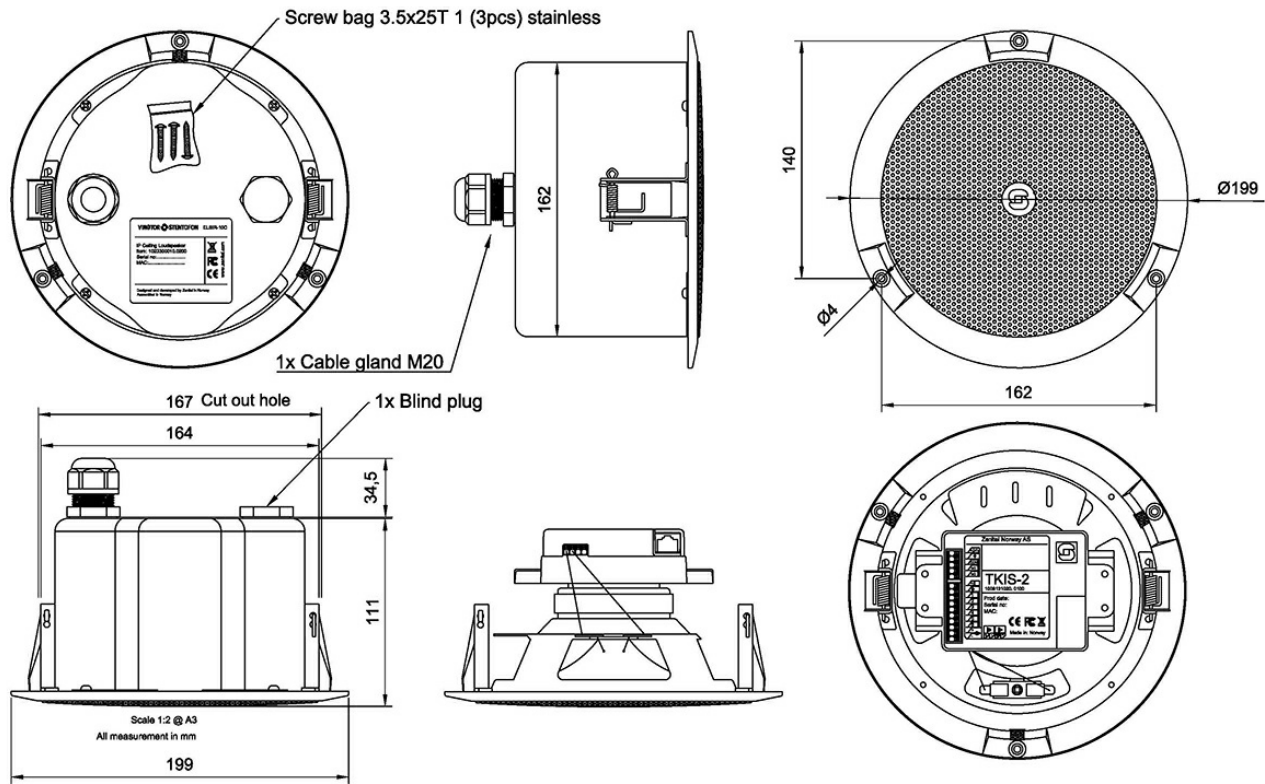
With IP, the system is able to monitor and address each speaker individually. By moving the amplifier from a central unit out to the speaker itself, the need for a central amplifier unit with conventional speaker loops is eliminated. This makes the system highly scalable, and adding another speaker is easy to do.

Even though conventional speaker loops are not used, the speakers can still be divided into groups. These zones can now extend over networks or span the Internet.

To provide maximum availability, the speaker comes with advanced supervision functions. The speaker line test will detect whether there are any faults in the network or speaker electronics. The status of the speaker is reported to the central unit as well as to 3rd-party management systems using SNMP or Syslog.

The speaker has a built-in web interface for status information, control, and upgrade. It is easy to install and maintain. In addition, there are possibilities where broadcasts can be logged in detailed reports.

# Technical Dimensions



# Specifications

## GENERAL

Rated Impedance (speaker driver)	8 Ohm
Rated power (speaker driver)	10W
Max. power (speaker driver)	15W
Max. SPL 1W / 1m (speaker driver)	97 dB
Effective frequency range (speaker driver)	250 - 10000 Hz
Codecs	G.711, G.722
Frequency range, G.722 Codec	200 Hz – 7000 Hz
Internal speaker amplifier	10 W class D
Mounting	Hooks / fasteners (included)
Weight	1.4 kg / 3 lbs
Material / Color	Steel / RAL 9010 (white)
Electronics cover material	ASA (plastic)
IP Grade	IP-54, tested according to EN 60529
Dimensions (diameter x depth)	199 x 146 mm

## ENVIRONMENT AND COMPLIANCES

Operating temperature range	-40° to 70° C / -40° to 158 ° F
Storage temperature range	-40° to 70° C / -40° to 158 ° F
Relative humidity	< 95% not condensing
EMC	CE and FCC Part 15

## HARDWARE

Ethernet connector	1 x RJ 45
All other connectors	Tool less, spring loaded, vibration proof terminals
General inputs and outputs	6 (configurable)
Outputs	12mA as LED drivers
Change-over relay (NO+NC+COM)	Max: 250VAC/220VDC, 2A, 60W
Power options	PoE and or external power supply
PoE (power over Ethernet)	IEEE 802.3af standard, Class 0 (0.44W to 12.95 W)
External power supply	24 VDC (16 – 48 V)
Power consumption	Idle 1.8W, max 12W (depending on volume)
Audio line out / induction loop signal	600 Ohm

## NETWORKING AND PROTOCOLS

Protocols	IPv4 (with DiffServ), SIP, TCP, UDP, HTTPS, TFTP, RTP, DHCP, SNMP, STENTOFON CCoIP® , NTP
LAN protocols	Power over Ethernet (IEEE 802.3 a-f) Network Access Control (IEEE 802.1x)
Management and operation	HTTP/HTTPS (Web configuration) DHCP and static IP + STENTOFON Pulse™. Remote automatic software upgrade. Centralized monitoring
Advanced supervision functions	E.g. network test, tone test, status reports
SIP support	RFC 3261 (SIP base standard), RFC 3515 (SIP refer), RFC 2976 (SIP info)
DTMF support	RFC 2833, 2976 (SIP info)

## OTHER SPECIFICATIONS

System boot time	Under 10 seconds
IP address information	Speaks IP address after system boot (requires connected loudspeaker)
Country of manufacture	Norway
Encapsulation material	ASA plastic
DIN-rail clips	Wago 209 (included)

## Used With



## ENA2060-DC1

Exigo Network Amplifier  
with 2 60 W Amplifier  
Channels 110 V DC