



2340200031

BS-21

Beacon, 24-48VDC

This product has been discontinued.

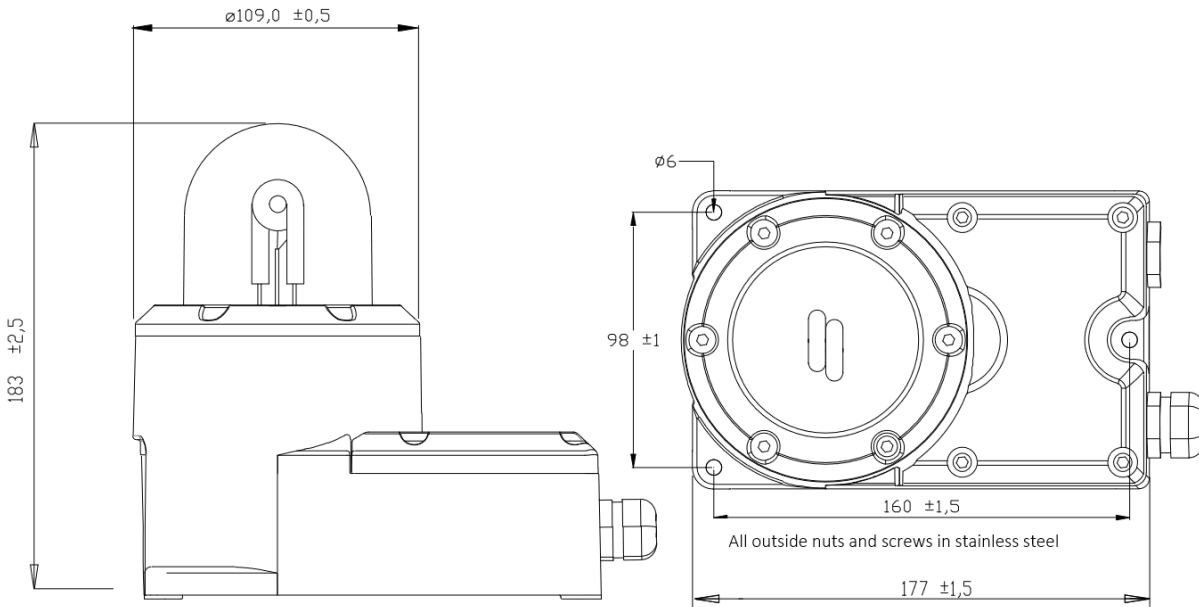
 IP66

Description

This beacon is made of anodized aluminum alloy and powder coated to assure the quality of the product:

- ✓ Enclosure Colour: RAL 7035
- ✓ Lens Colour: Yellow
- ✓ Voltage DC: 24-48V
- ✓ Delivered with 2 x M20 blanking plugs

Technical Dimensions



Specifications

DESCRIPTION

Material / Color	Aluminum alloy/RAL 7035
Mounting	Screws
Termination	Screw terminal
IP-rating	66
Max. / min. amb. temp	58°C/-50°C
Rated energy	21 Joule
Dome	Borisilicate glass
Lamp type	Xenon
Cable entries	M20
Weight	2.4 kg
Flash rate	1 Hz
Max voltage DC	48V
Rated current 24V Dc	Average: 0,625A; Max: 2,9A.
Rated current 48V Dc	Average: 0,375A; Max: 1,9A
Luminous intensity	Between 300 and 400 candelas