

2310131018

MMX2CAZA

Explosion-Proof IP Camera, 1080p



- ✓ Certifications for use in Zones 1 and 2, IIB T6 or T5 Group (Gas) and in Zones 21 and 22, IIC T85°C or T100°C Group (Dust)
- ✓ AISI 316L stainless steel construction
- ✓ Supports for ceiling, wall and parapet installation supplied
- ✓ Camera Full HD 1080p, 3x or 10x with image stabilizer

 IP66  IP67  ATEX

Description

The explosion-proof Full HD camera MAXIMUS MMX is perfect for efficient video surveillance and control of processes in hazardous environments where the atmosphere is potentially explosive due to the presence of inflammable gases or dust, typical of the Oil&Gas, marine or industrial and foodstuff sectors.

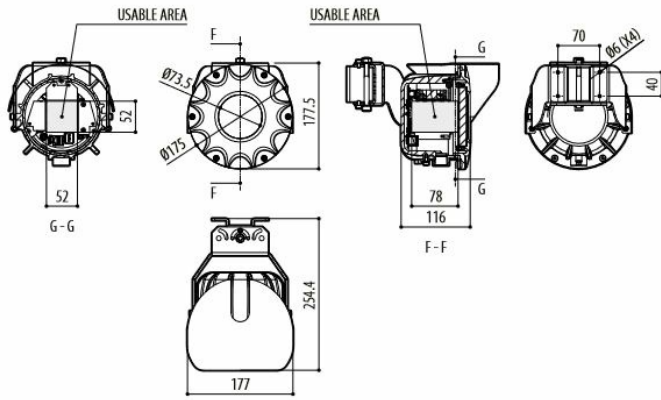
The housing is entirely manufactured in stainless steel AISI 316L offering complete resistance to corrosion. Thanks to its compactness (only 116mm) and contained weight (only 6.5 kg (14.3lb)), it can be installed in narrow locations typical of industrial or naval surroundings.

The IP66/IP67/IP68/IP69 level guarantees complete protection against bad weather and water immersion. Another important feature of the camera is the extended certification temperature range of -40°C to 70°C.

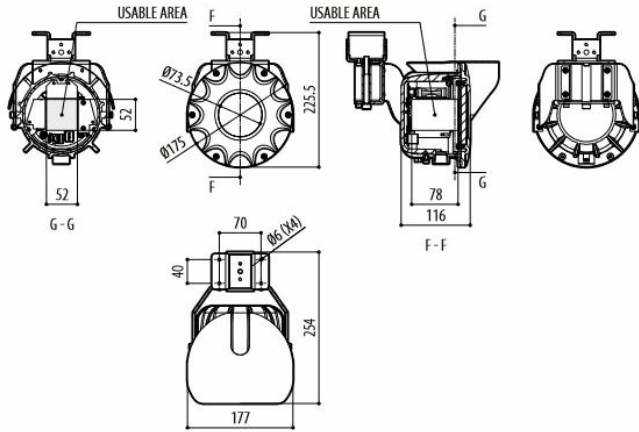
The MAXIMUS MMX product with 10x Full HD camera is Lloyd's Register Type Approval System Test Specification Number 1 certified and therefore can be used in Marine and Offshore applications for environmental categories ENV1, ENV2, ENV3 and ENV5 (eg. passenger ships, open-air decks, closed spaces and technical areas that may be subject to heat generated by other equipment, potentially explosive areas, docking procedures).

Technical Dimensions

WALL MOUNTING



PARAPET OR CEILING MOUNTING



Specifications

DESCRIPTION

Weight	11kg
Cable entry	1 hole, 1/2" NPT. Cable gland with gasket Ex d 1/2"NPT (with pre-installed cable only)
Supply voltage/Current consumption	24Vac/24Vdc, 1.32A, 50/60Hz; PoE+ (IEEE 802-at)
Ethernet connection	RJ45 100 Base-TX
Device configuration	TCP/IPv4, UDP/IPv4, HTTP, NTP, DHCP, WS-DISCOVERY, IGMP (Multicast)
Streaming	RTSP, RTCP, RTP/IPv4, HTTP
Video compression	H.264/AVC, MJPEG, JPEG, MPEG4
Video streams	3 independent video streams Full HD
Image resolution	From 320x180 a 1920x1080 in 6 steps
Camera	Day/Night Full HD 3x
Resolution	Full HD 1080p (1920x1080)
Image Device	1/2.8 type Exmor™ CMOS sensor
Effective Pixels	Approx. 3.27 Megapixels
Signal system	Max 1080p/30fps
Minimum Illumination (ICR-OFF)	1lx, 1/30s, F1.2, 50% (Normal mode); 0.25lx, 1/30s, F1.2, 50% (High sensitivity mode)
Minimum Illumination (ICR-ON)	0.1lx, 1/30s, F1.2, 50% (Normal mode); 0.03lx, 1/30s, F1.2, 50% (High sensitivity mode)
Lens	f=3.0 mm (wide) ~ 9.0 mm (tele), from F1.2 up to F2.1
Zoom	3x (36x with digital zoom)
Horizontal Viewing Angle	From 90° (wide) up to 32° (tele)
Minimum object distance	300mm (11.8in) (wide to tele)
Shutter speed	1/1 to 1/10000 s, 22 steps
White balance	Auto, ATW, Indoor, Outdoor, Outdoor Auto, Sodium vapor lamp (Fix, Auto), Manual
Wide Dynamic Range	On/Off
Operating temperature	From -40°C up to +65°C
Certification temperature	From -40°C up to +65°C (T6/T85°C) or +70°C (T5/T100°C)
IP protection degree	IP66, IP67, IP68 (2h, 5m), IP69
Dimensions (WxHxL)	64x20.8x59cm