

4000019415

P-8300 MkII Sound Reception Display Unit

Sound Reception main display unit



- ✓ Compatible with IEC61162-450
- ✓ Easy installation
- ✓ Web-interface
- ✓ Amplifies meaningful sounds within a 70-2100 Hz range
- ✓ 5 pairs cabling via junction box (optional)
- ✓ Adjustable volume and dimmer
- ✓ Option for additional slave display units
- ✓ Approved according to;
 - ⊙ *MED*
 - ⊙ *UK MER*
 - ⊙ *ISO 14859*
 - ⊙ *IEC 60945: 2002*
 - ⊙ *Parts of E10 (EMC and Operational Temperature)*
 - ⊙ *IEC 61162-1:2016 / -450:2018*
 - ⊙ *IEC 62288: 2021*
- ✓ *Type Approvals:*
 - ⊙ *DNV*
 - ⊙ *DNV - MED*
 - ⊙ *DNV UK - MER*
 - ⊙ *ABS*
 - ⊙ *CSS*
- ✓ Console Mounted, 24V



Description

The Phontech Sound Reception Display Unit P-8300 MkII is designed to receive and detect foghorn sounds from other marine vessels in the range of 70-2100 Hz. The P-8300 MkII is for use on-board one-man operated closed bridge class ships.

Connected to an omnidirectional microphone/antenna unit mounted outside of the vessel, the P-8300 MkII main display unit will reproduce and amplify incoming sounds from all directions and indicate the approximate direction of the nearby ship by clear light indications.

By using high capacity microcontrollers and sophisticated software algorithms this digital system has superior performance, both for noise suppression and direction detection. Through the self-calibrating functionality, it is also very easy to install.

The P-8300 MkII main display unit includes a web interface for easy configuration as well as a status (error) indication, control knob for adjustable volume,

dimmer and LED test. The WEB interface configuration contains provisions for:

- ✓ Error description
- ✓ Network settings
- ✓ IEC 61162-450 settings
- ✓ Syslog settings
- ✓ Audio Settings
- ✓ Logging events
- ✓ Detection direction: Fore/aft (reverse)
- ✓ Master/Slave setting
- ✓ Direction alignment setting
- ✓ Detection Pointer hold time
- ✓ Firmware update
- ✓ Factory Reset
- ✓ Reboot

This P-8300 MkII Sound Reception System is MED-approved and is wheel marked according to MED-B according to (EU) 2022/1157. It is also UK-MER-D / UK-MER-B approved according to UK) MSN.1874.

The unit has DNV/ABS/RMRS/CCS type approvals.

The P-8300 MkII Sound Reception System is also designed to meet;

SOLAS Chapter V - Safety of navigation - Regulation 19 *Carriage requirements for shipborne navigational systems and equipment.*

IMO Res. A.694(17) *General requirements for shipborne radio equipment forming part of the Global Maritime Distress and Safety System (GMDSS) and for electronic navigational aids.*

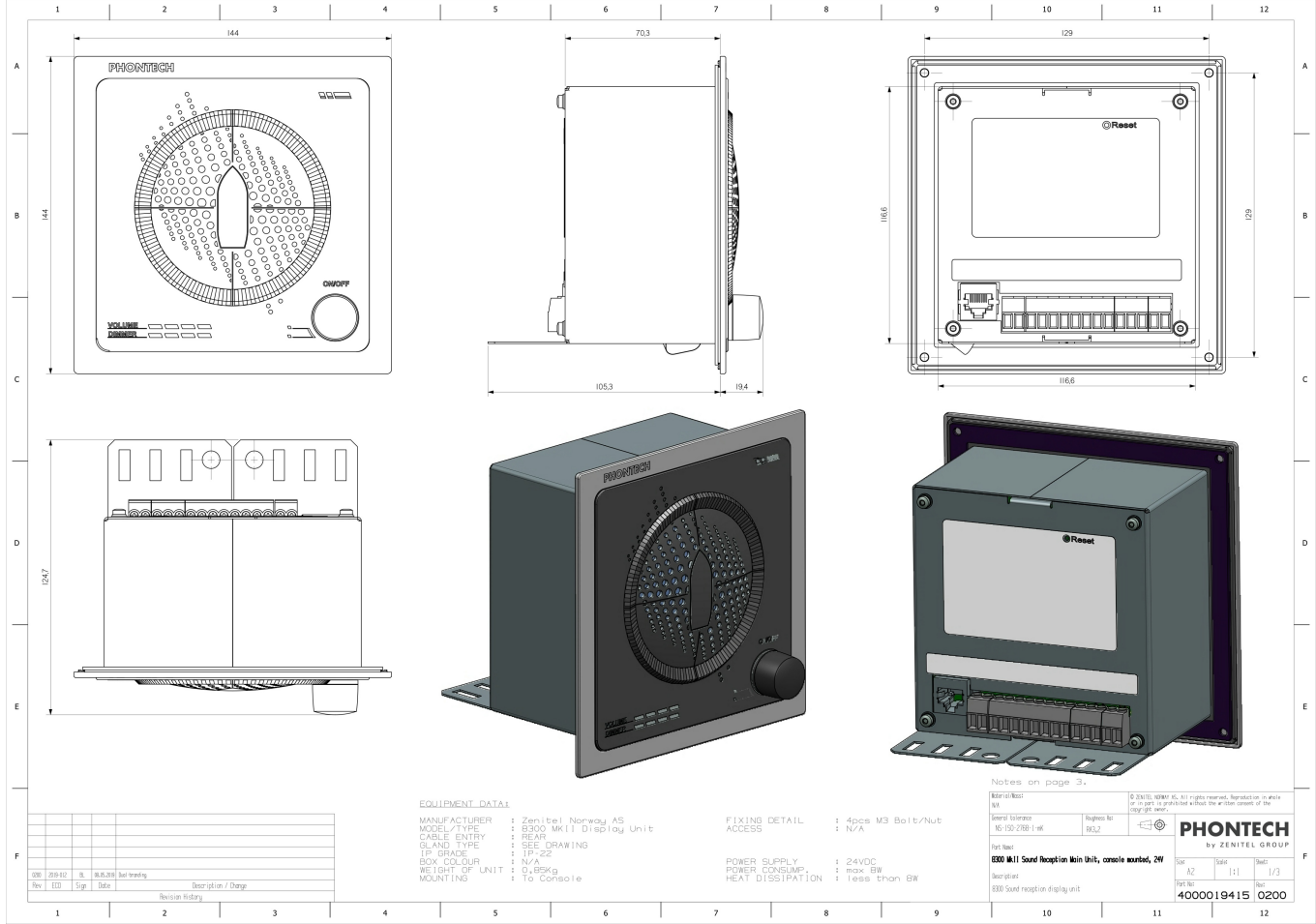
IMO Res. MSC.36(63) *Adoption of the international code of safety for high speed craft (1994).*

IMO Res. MSC.86(70) *Adoption of new and amended performance standards for navigational equipment.*

IMO Res. MSC.97(73) *Adoption of the international code of safety for high speed craft (2000).*

IMO Res. MSC.191(79) *Performance standards for the presentation of navigation-related information on the shipborne navigational displays*

Technical Dimensions



Specifications

MECHANICAL

Dimensions (WxHxD)	144x144x124 mm
Weight	0.85 kg
Material	Silicone / Thermoplastic / Sheet metal (aluzink - aluminum-zinc coated steel)
Color	RAL 7021 / RAL 7043
Mounting	Flush / Console (optional wall mounting box)
Fixing	4 x M3 bolts
Access	Front
Cable Entry	Rear
Manufacturer	Phontech by Zenitel

ENVIRONMENTAL

Temperature	-15°C to +70°C
Humidity	+93% (at +40°C)
Ingress Protection	IP-22

ELECTRICAL

Power Supply	21 – 32 VDC
Power Consumption	8W max, 4W typical
Heat Dissipation	< 8W
Termination	Screw terminals, ≤ 2.5 mm ²
Compass Safe Distance	> 2.2 m

Accessories



Wallbox for CIS & SRS - (144mm)

Wallbox for CIS Talkback System and SRS P-8300 MkII - (144mm)



RJ45 Port locker kit, 10 locks, 1 key, for maintaining Cyber Security

RJ45BLOCK

Used With



P-8301 MkII Microphone Unit

Microphone/Antenna Unit



Junction Box for P-8301

Microphone