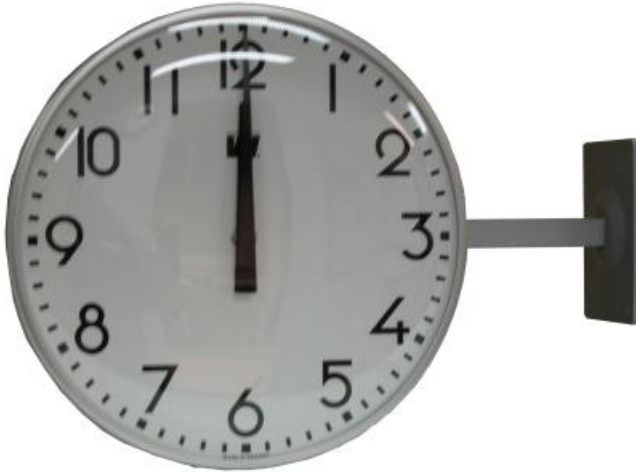


2310601030

TC8431580-10

Double Faced Slave Clock, 300MM, TC-M

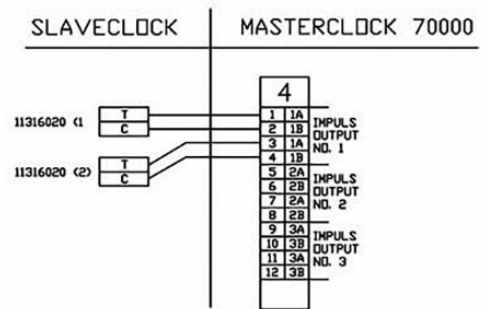
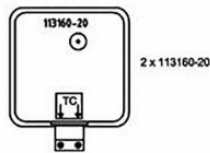
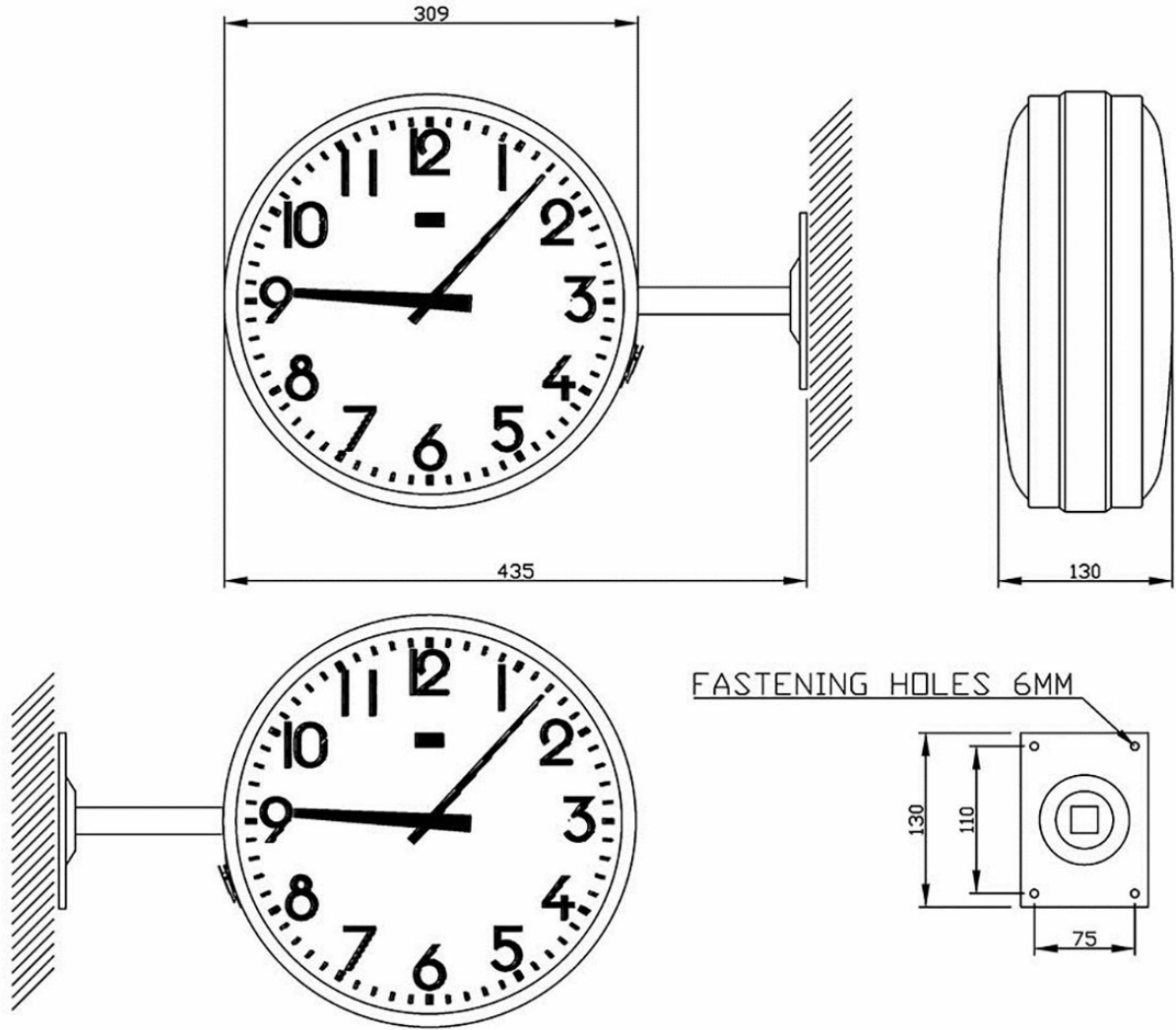


Description

- ✓ Anodised aluminium housing and black hour and minute hands. The hands are protected by a convex glass and the clock is to be wall mounted
- ✓ DCF format with time zone adjustment
- ✓ 2 wire bus connection w/ power and serial time code

The analogue clock for wired DCF Time-Code from Marine Master Clock provides the possibility to create a time distribution system, with high accuracy and high reliability. The clock is intended for connection to a 2-wire bus which combines power supply and serial Time-Code. A built in microprocessor receives the Time Code, reads the position of the hands, and sets the clock to correct time. The Time-Code, built up according to the DCF-format, contains information about year, month, day, hour and minute. At each minute shift seconds are synchronised as well. The transmission speed is 1 bit/second. 24VDC power supply for the built in electronics is combined with the Time-Code. The clock is intended for time zone adjustment from a Marine master clock.

Technical Dimensions



Specifications

GENERAL

Mounting	Wall with bracket
Housing	Anodized aluminium
Colour	Aluminium, white face, black hands, numerals and marks
Dimensions (mm)	309Ø x 130D x 435L
Protection	IP-44
Connection	2 wire
Connection voltage	24VDC combined with serial Time-Code
Type of time code	DCF-format with Time zone adjustment
Microcontroller	PIC16F628
Temperature range	-20°C to +50°C
Power consumption	30 mA

Used With



Marine Master Clock
70000

123378-01 Marine Master
Clock 70000

Item Number: 3005050028



Marine Master Clock
with Network Time
Server, 70000L

123378-11 Marine Master
Clock 70000L With Network
Time Server

Item Number: 3005050029