

4000016470

ITCS-C3

Refrigerator and Humid Rooms Calling Unit



- ✓ Call unit for refrigerated shipboard environments
- ✓ Water-resistant (IP-56) design
- ✓ Illuminated push-button with green indicator for visibility
- ✓ Bulkhead mounting
- ✓ Compatible with ITCS-A calling system

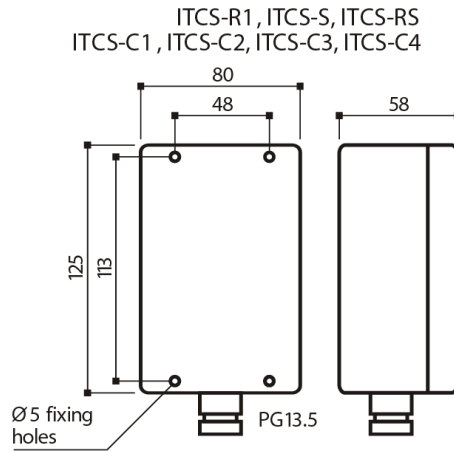
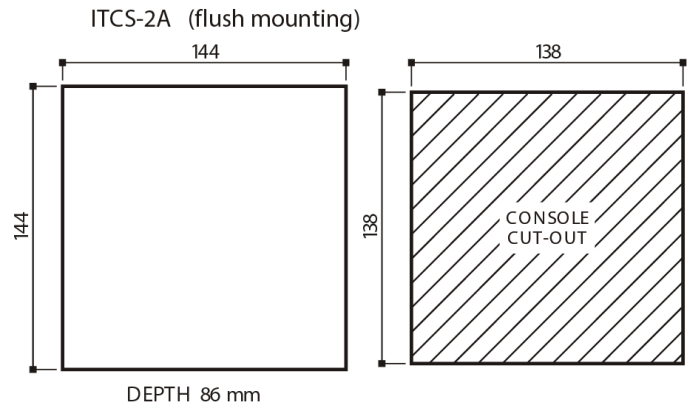
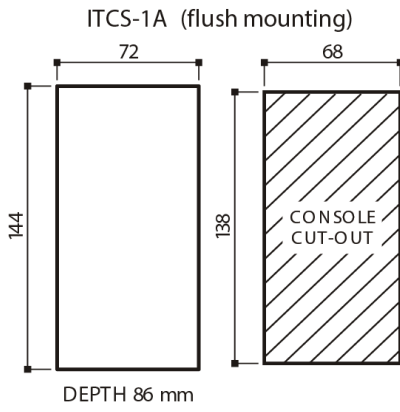
Description

The ITCS-C3 is a water-resistant (IP-56) call unit designed for use in cold rooms, refrigerated spaces, and shipboard environments where reliable emergency communication is critical. It features an illuminated push-button for clear visibility in low-light conditions and ensures that calls are instantly recognized and processed.

- ✓ Designed for refrigerated and cold storage environments – Ideal for shipboard refrigerators, cold rooms, and other moisture-prone areas.
- ✓ Water-resistant (IP-56) construction – Ensures durability and long-term performance in demanding conditions.
- ✓ Illuminated push-button activation – A green indicator light stays on when the system is active, ensuring high visibility in dark or foggy conditions.
- ✓ Bulkhead mounting – Secure installation for shipboard environments.
- ✓ Part of the ITCS-A calling system – Compatible with Inelteh's maritime call system for integrated onboard safety.

The ITCS-C3 is specifically built for moisture-prone environments where standard call units may fail, making it a reliable safety feature for maritime applications.

Technical Dimensions



All dimensions in mm

Specifications

MECHANICAL

Dimensions (WxHxD)	80x125x58 mm
--------------------	--------------

Weight	0.23 kg
--------	---------

ENVIRONMENTAL

Protection	IP56
------------	------

Temperature	-25°C to +70°C
-------------	----------------

Used With



ITCS-RS

Reset Unit for Inelteh Call System