

1008315030

TCIV-3+ | Video intercom

IP and SIP Video Intercom



- ✓ Durable black thermoplastic front plate with one call button, and LED indicator for door status.
- ✓ Advanced Audio Technology - High sound pressure levels, automatic volume gain control, and active noise and echo cancellation for superior clarity.
- ✓ Video Features - Wide-angle HD camera with excellent low-light performance, and support for RTSP and ONVIF streaming
- ✓ Weather-Resistant (IP66) & Robust (IK08)
- ✓ Flexible Installation - Options for wall or flush mounting
- ✓ Seamless Integration - Fully compatible with Zenitel Connect Pro, ICX-AlphaCom, IC-EDGE, and SIP-based systems.

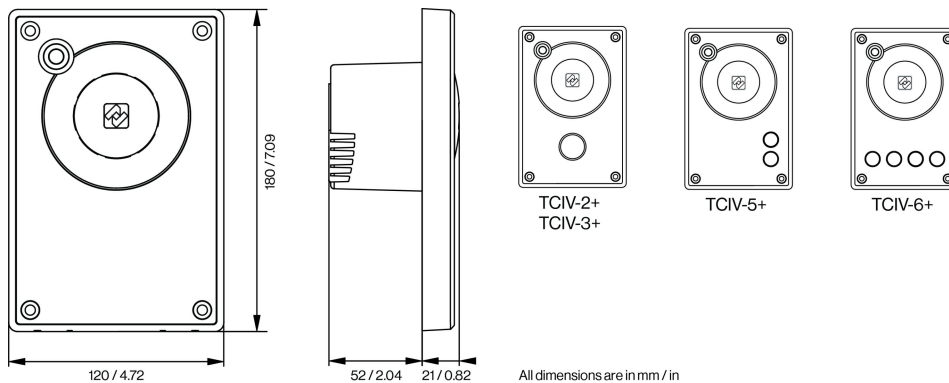


Description

The TCIV-3+ is a premium, rugged IP video intercom built for high-security and industrial environments. Featuring a wide-angle HD camera with excellent low-light performance, advanced audio with noise suppression and echo cancellation, and a durable thermoplastic front plate with a single call button, it delivers crystal-clear voice and video communication - even in the harshest conditions. Certified for IP66 and IK08, and fully compatible with Zenitel Connect Pro, ICX-AlphaCom, IC-EDGE, and SIP systems, the TCIV-3+ ensures seamless integration into any critical communication setup.

For additional information, please see [Zenitel Wiki](#).

Technical Dimensions



Specifications

AUDIO

Max SPL @ 0.5m	106 dB
Codecs	G.711, G.722, G.729
Frequency range, G.722 Codec	200 Hz – 7000 Hz
Audio technology	Full open duplex, switched open duplex
	Sound level detection (scream alarm)
	Automatic gain control
	Automatic volume control (AVC)
	Acoustic Echo Cancellation (AEC)
	Noise cancellation
Internal speaker amplifier	10 W class D
Internal speaker	10 W
Microphone technology	Digital MEMS, omnidirectional microphone

VIDEO

Lens	F 2.0, fixed iris
Image Sensor	1/2.5" RGB CMOS
Light Sensitivity	Down to 1 lux
Resolution	240p / 480p / 960x720p / 1440x1080p (MJPEG does not support 720p and 1080p resolution)
Frame Rate	Up to 30 FPS in 1440x1080p (30 FPS is only supported in H.264 mode, while MJPEG is limited to 10 FPS)
Supported Codecs	MJPEG, H.264
Digital PTZ	Yes
Digital Zoom	Up to 4x
Field of View	Up to 180 degrees horizontally and vertically
Parallel videostreams	6 (1x SIP H.264, 2x HTTP MJPEG, 3x RTSP sessions)

NETWORKING & PROTOCOLS

Application protocols	SIP, SIPS, HTTP, HTTPS, TFTP, RTP, SRTP, RTCP, RTSP, DHCP, SNMP, Vingtor-Stentofon CCoIP®, NTP, ONVIF, WS-Discovery
IP Versions	IPv4 & IPv6
LAN protocols	Power over Ethernet (IEEE 802.3 a-f), Power over Ethernet (IEEE 802.3at), Network Access Control (IEEE 802.1x)
Supervision functions	Keep alive test, tone test, status reports
SIP support	RFC 3261 (SIP base standard) RFC 3515 (SIP refer) RFC 2976 (SIP info), SIP using TLS, RFC 5630 SIPS URI scheme
DTMF support	RFC 2833, 2976 (SIP info)
Integration and API	Connected to ICX-AlphaCom through AlphaCom protocol ACDP Connected to Zenitel Connect Pro through Zenitel Link ONVIF

HARDWARE

Ethernet connector	1 x RJ-45
General inputs and outputs	6 (configurable)
Outputs	12mA as LED drivers
Change-over relay (NO+NC+COM)	SELV
Power options	PoE, PoE+
PoE (Power over Ethernet)	IEEE 802.3af standard, IEEE 802.3at
Power consumption	Idle 3.5W, max 12W (depending on volume)
Button backlight	LED
Call indication	Icons/colors for hearing impaired

CONSTRUCTION

Dimensions (HxWxD)	180 x 120 x 73 mm / 7.1" x 4.7" x 2.9"
Dimensions after flush mount	180 x 120 x 24 mm / 7.1" x 4.7" x 0.9"
Dimensions with on wall box	180 x 120 x 86 mm / 7.1" x 4.7" x 3.4"
Weight	1 kg / 2.2 lbs.
Faceplate material	3 mm / 0.12" PMMA, color printed on backside
Base / frame material	3 mm / 0.12" Aluminum alloy - A413.0, AISi12Fe, painted
Electronics cover material	Polycarbonate (semi translucent)
Gasket material	TPV
Loudspeaker poke protection, small diameter objects	Stainless steel mesh, acoustically transparent

ENVIRONMENTAL COMPLIANCES

IP rating	IP66
IK rating	IK08
Operating temperature range	-40° to 70° C / -40° to 158 ° F
Storage temperature range	-40° to 70° C / -40° to 158 ° F
Relative humidity	< 95% not condensing

APPROVALS

EMC	EN 61000-6-1, EN 61000-6-2, EN 61000-6-3, EN 61000-6-4, EN 50121-4, FCC part 15
Safety	IEC / UL 62368-1, IECCE CB
Sustainability	RoHS, REACH

OTHER SPECIFICATIONS

Country of manufacture	Poland
Warranty	2 Years standard warranty, extendible up to total of 5 years (additional fee)

Accessories



TA-1

Turbine Compact Onwall Back Box

Item Number: 1008140010



TA-2

US 2-Gang 3 1/2" Deep Backbox

Item Number: 1008140020



TA-5

Bracket for US 2 GANG Double Depth Back Box

Item Number: 1008140050



TA-18

Turbine Compact Flush-Mount Back Box

Item Number: 1008140180



TA-14

Microphone windshield for TCIS / TCIV

Item Number: 1008140140



Touchless Sensor

Item Number: 2390020100

Used With



ITSV-4

HD IP Video Phone with 5" Screen

Item Number: 1490004010



ITSV-5

HD IP Video Phone with 8" Screen

Item Number: 1490005010