



1490000010

SDS-1

SIP Desk Station with display and dual LAN

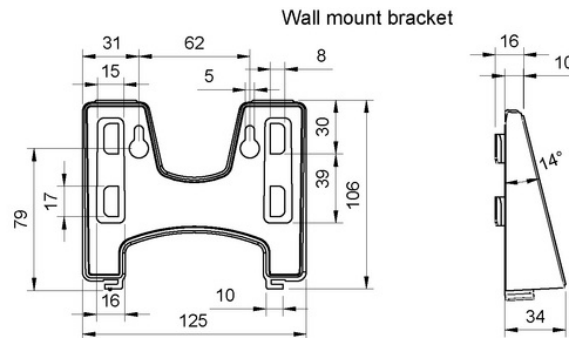
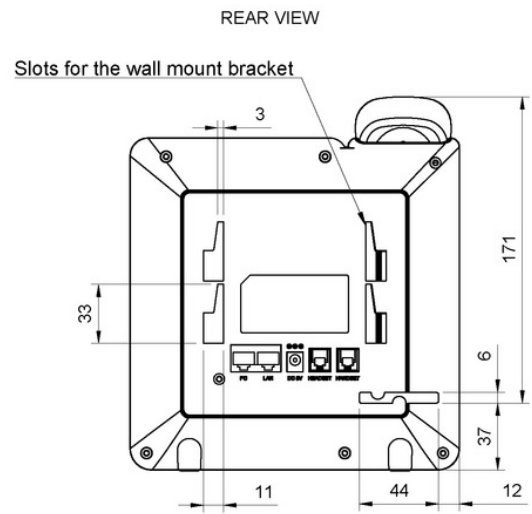
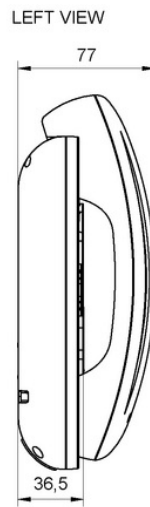
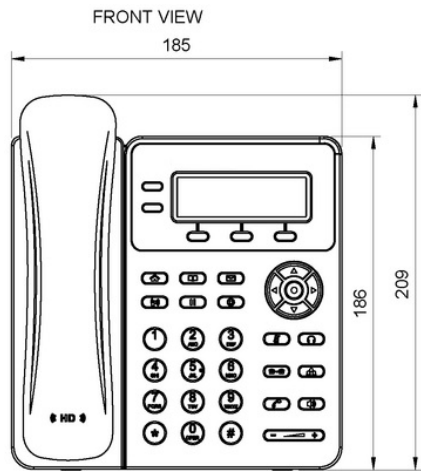
- ✓ 2 lines, 2 SIP accounts, 3-way conferencing
- ✓ Integrated PoE
- ✓ Dual-switched 10/100Mbps ports
- ✓ TLS and SRTP
- ✓ HD Audio
- ✓ EHS Support
- ✓ ICX-AlphaCom Support



Description

A reliable IP phone for small business users, the SDS-1 delivers a suite of powerful VoIP features, supports for up to 2 lines and full HD audio on both the speaker and handset to allow users to communicate with the utmost clarity and built-in PoE. These features allow the SDS-1 to be a high-quality and easy-to-use small business IP phone.

Technical Dimensions



Specifications

Dimension	184.5mm (W) x 209mm (L) x 76.2mm (H) with handset
Weight	0.73 kg
Power over Ethernet	IEEE 802.3af, Class 2, 3.84W-6.49W
Protocols/Standards	SIP RFC3261, TCP/IP/UDP, RTP/RTCP, HTTP/HTTPS, ARP/RARP, ICMP, DNS (A record, SRV, NAPTR), DHCP, PPPoE, SSH, TFTP, NTP, STUN, SIMPLE, LLDP-MED, LDAP, TR-069, 802.1x, TLS, SRTP
Network Interfaces	Dual switched auto-sensing 10/100 Mbps Ethernet ports, integrated PoE
Graphic Display	132 x 48 (2.95") backlit graphical LCD display
Feature Keys	2 line keys with dual-color LED and 2 SIP accounts, 3 XML programmable context sensitive soft keys, 5 (navigation, menu) keys. 13 dedicated function keys for MUTE, HEADSET, TRANSFER, CONFERENCE, SEND and REDIAL, SPEAKERPHONE, VOLUME, PHONEBOOK, MESSAGE, HOLD, PAGE/INTERCOM

Voice Codecs	Support for G.711 μ /a, G.722 (wide-band), G.723, G.726-32, G.729 A/B, iLBC, inband and out-of-band DTMF (In audio, RFC2833, SIP INFO), VAD, CNG, AEC, PLC, AJB, AGC
Telephony Features	Hold, transfer, forward (unconditional/no-answer/busy), 3-way conferencing, call park/pickup, shared-call appearance (SCA) / bridged-line-appearance (BLA), Downloadable phone book (XML, LDAP, up to 500 items), call waiting, call history (up to 200 records), off-hook auto dial, auto answer, click-to-dial, flexible dial plan, hot desking, personalized music ringtones, server redundancy & fail-over
HD audio	HD handset and speakerphone with support for wideband audio
Headset Jack	RJ9 headset jack (allowing EHS)
QoS	Layer 2 QoS (802.1Q, 802.1P) and Layer 3 (ToS, DiffServ, MPLS) QoS
Security	User and administrator level passwords, MD5 and MD5-sess based authentication, 256-bit AES encrypted configuration file, SRTP, TLS, 802.1x media access control.

Relative Humidity	10% to 90% Non-condensing
Temperature	Operation: 0°C to 40°C / Storage: -10°C to 60°C
Compliance	FCC: Part 15 (CFR 47) Class B CE : EN55022 Class B, EN55024, EN61000-3-2, EN61000-3-3, EN60950-1 RCM: AS/ACIF S004; AS/NZS CISPR22/24; AS/NZS 60950; AS/NZS 60950.1
