

1023533013

PAM2H

Handheld Microphone for SPA-V2 indoor panels.



- ✓ Handheld microphone for SPA-V2 indoor microphone panels.
- ✓ Bracket included
- ✓ Push-To-Talk button
- ✓ 1.5 m durable spiral cable
- ✓ Equipped with locking DIN plug
- ✓ Dynamic microphone
- ✓ Unidirectional noise cancelling
- ✓ Rugged brass housing
- ✓ Very long life switching contacts



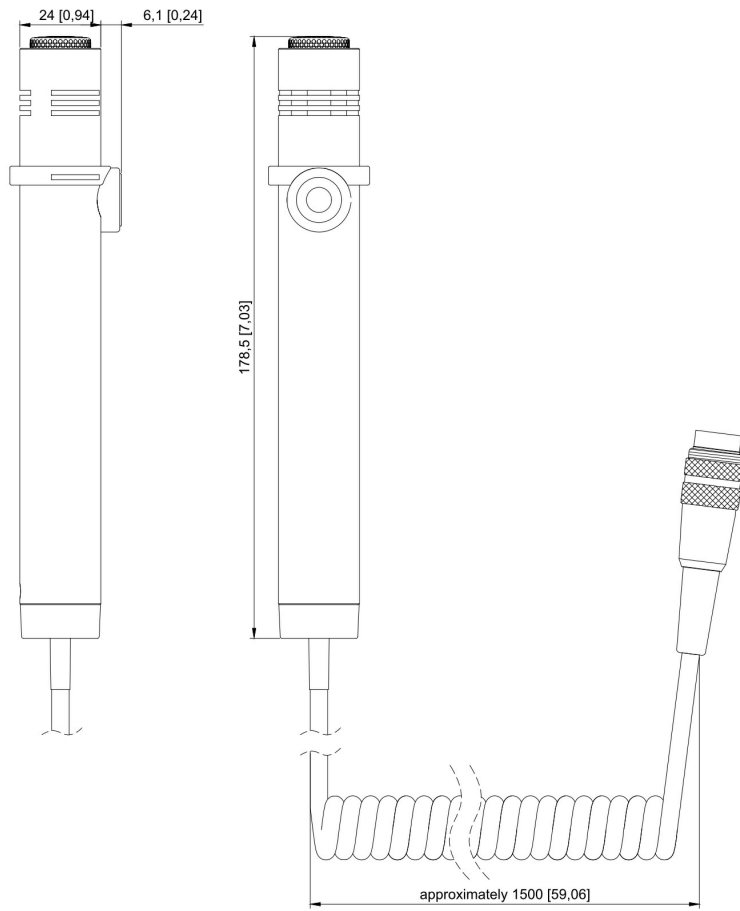
Onboard communication

Description

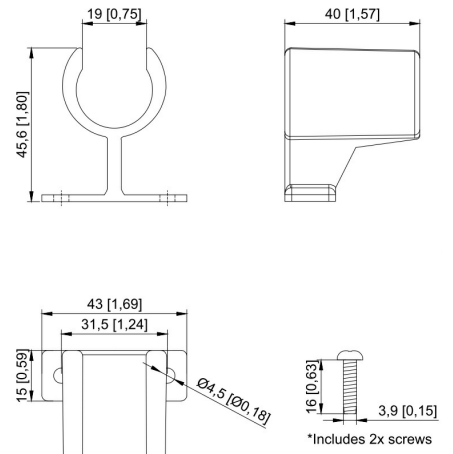
The PAM2H handheld microphone is designed for indoor use, even in noisy areas with unidirectional noise cancelling. The microphone is used on all SPA-V2 microphone panels and features a PTT button. For correct operation and performance speaking distance approximate 2cm.

Microphone will also be suitable for our legacy ETB and CTB Talk Back systems replacing ETC-1-TB.

Technical Dimensions



Microphone clip holder:



Specifications

ITEM NUMBER	DESCRIPTION
1023533013	PAM2H Handheld PA microphone, 1 button, indoor, w/bracket. Dynamic

MECHANICAL

Dimensions	Length 178 mm, Head Ø 29 mm, Body Ø 24 mm
Weight	0.23 kg
Cable	4-wire halogen free spiral cable, 2 Wires shielded, Draw length max. 1.5 m, without connector
Material	Brass. Black
Bracket	Included

ELECTRICAL

Microphone	Dynamic and Noise Cancelling
Frequency range	150 Hz to 12 kHz at -10 dB
Sensitivity	1 mV/Pa (-60 dBV/Pa ± 3 dB)
Impedance	200 Ω ± 20 % at 1 kHz
Directivity	Cardioid (at 1 kHz; 180° - 20 dB)

ENVIRONMENTAL

Operating Temperature	-20 °C to +60 °C
Storage Temperature	-30 °C to +70 °C
Humidity	10% to 95% (non-condensing)
Environmental Condition	Protected

COMPATIBLE EQUIPMENT

SPA-V2 Indoor panels

Accessories



ETC-1-CH

Chassis Contact 5-pin DIN for ETC-1-TB with 1M cable

Item Number: 3005020028



Product image not available

ETC-1/CABLE

Extension cable 10M w/ 5-pin DIN plug for handheld microphone

Item Number: 3005020027

Used With



SPA-M6-V2

Item Number: 2340110020



SPA-M6-D

Item Number: 2340110021



SPA-M1-V2

Item Number: 3005010150



SPA-M1-D

Item Number: 2340110019