

3006090578

MBOKS-G

VSP Batteryless Telephone System

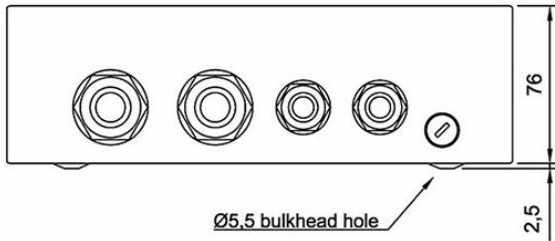
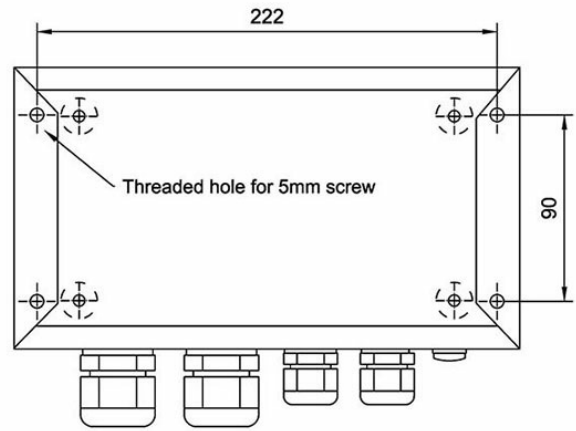
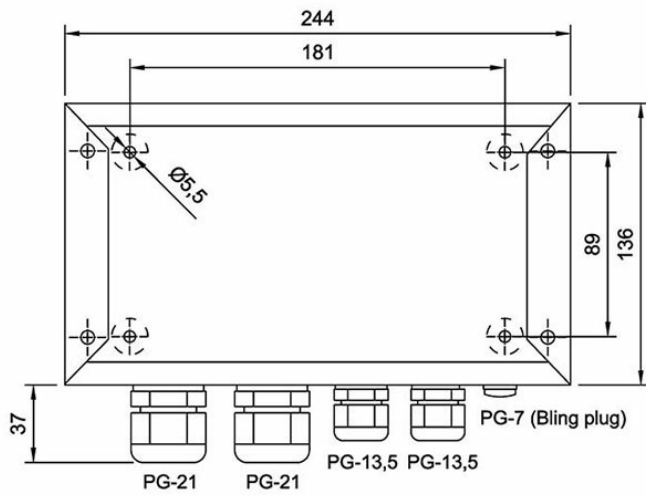
On-wall box with rubber gasket designed for stations in VSP systems



Description

The new and improved on wall box with rubber gasket designed for use with VSP stations to offer IP-44 rating.

Technical Dimensions



Specifications



GENERAL

Color	Black
Material	Epoxy covered metal
Dimensions (WXHxD)	244 x 136 x 76 mm
Weight	1.0 kg
Mounting hole	Ø 5.5 mm
IP-rating	IP-44 (Together with VSP telephone)

Used With



VSP-211-L

Main Station - Batteryless Telephone System - 12-Way

Item Number: 1020600931



VSP-213-L

Main Station - Batteryless Telephone System - 12-Way

Item Number: 1020600935



VSP-223-L

Main Station - Batteryless Telephone System - 12-Way

Item Number: 1020600943



VSP-211M-L

Main Station - Batteryless Telephone System 20-Way

Item Number: 3006200025



VSP-212M-L

Main Station Panel Mounted with Relay 20-Way

Item Number: 3006200028



VSP-213M-L

Main Station - Batteryless Telephone System - 20-Way

Item Number: 3006200029