

4000100649

## B400STR-230R

Xenon Strobe, 230vAC, IP65, 15J, RED



- ✓ Bayonet fixing lens.
- ✓ Anti-tamper locking screw.
- ✓ Stainless steel fixings.

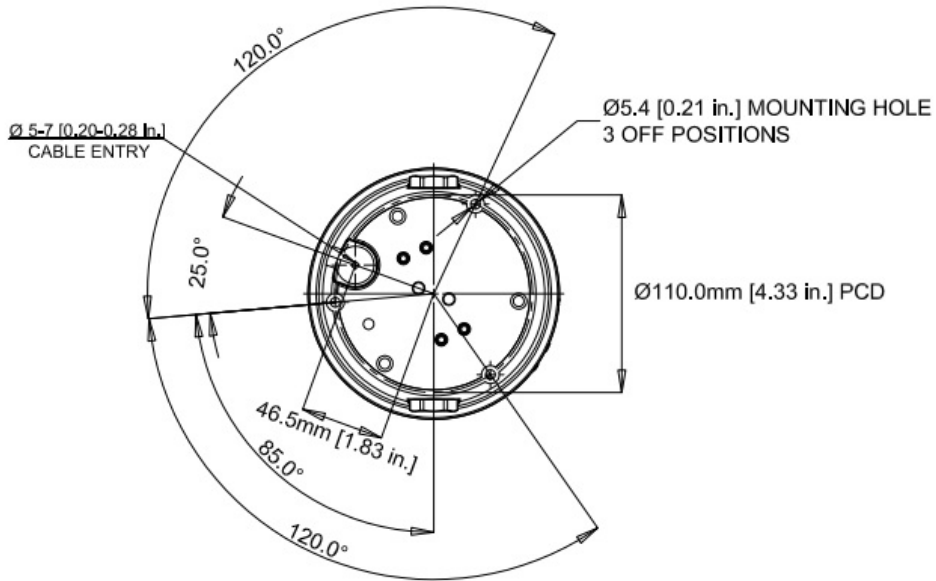
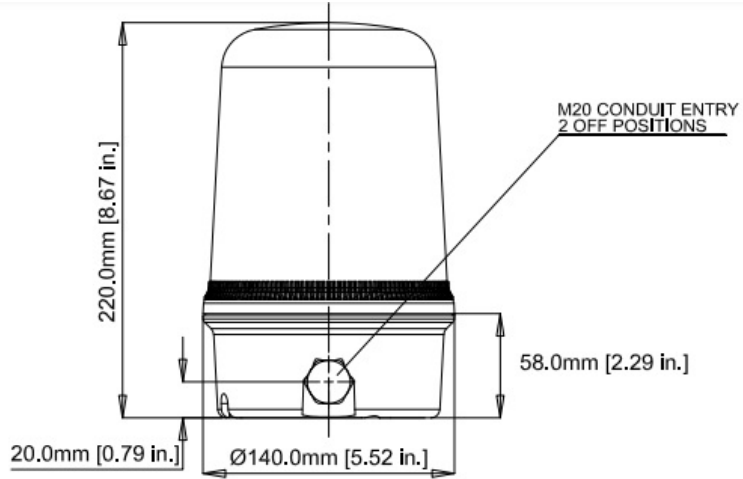
---

---

## Description

The B400 series comprises Xenon strobe beacons, permanent filament bulb or halogen beacon, blinking filament bulb or halogen beacon, rotating halogen beacon and a multi-function LED array beacon.

## Technical Dimensions



# Specifications

## GENERAL

Light source	Xenon Strobe
Energy	15 Joules
Flash rate	1 Hz
Synchronisation	1Hz flash rate automatically synchronised
Peak Candela	1,500,000 cd – calculated from energy (J)
Effective Intensity cd	750 cd – calculated from energy (J)
Lens type	Prismatic (standard) or plain
Entries	1 × 5-7mm push through grommet, 2 × M20 cable entry
Dimensions	ø140 x 220mm
Ingress protection	IP65
Terminals	1.5 mm <sup>2</sup> flying lead assembly
Operating temp	-25 to +50°C
Weight	535g
Environmental Condition	Protected

<b>ORDER NUMBER</b>	<b>DESCRIPTION</b>
4000100649	XenonStrobe B400STR 230vAC, 15J 1Hz IP65, RED
4000100648	XenonStrobe B400STR 230vAC, 15J 1Hz IP65, YELLOW
4000100650	Wall bracket B400RA001