



2131000211

## Tunnel-500

Tunnel Loudspeaker



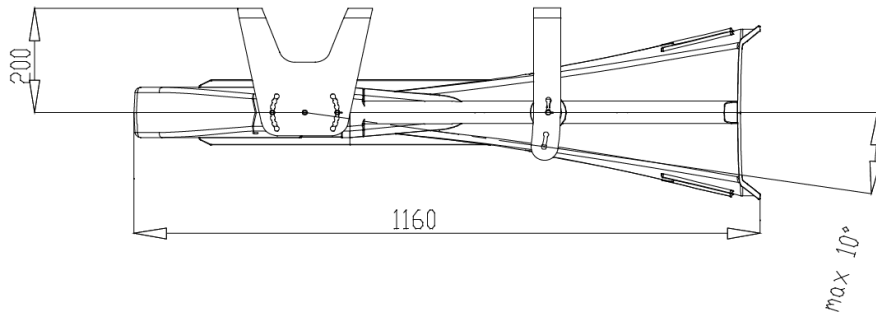
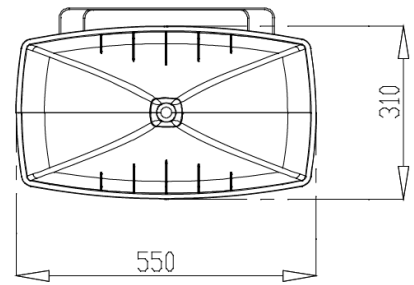
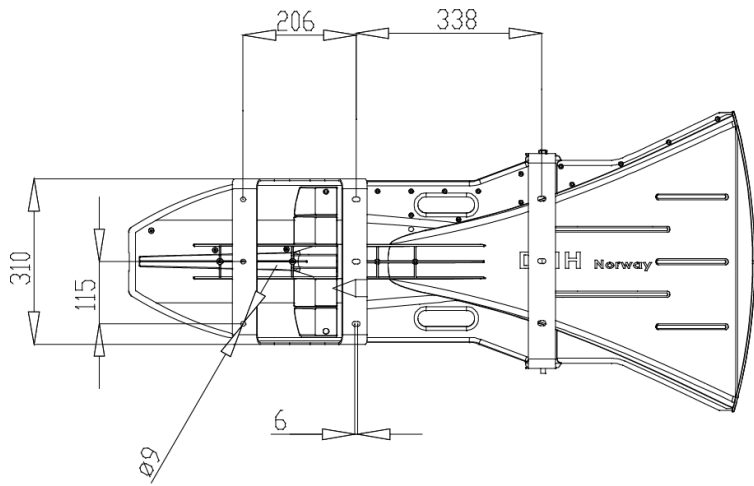
## Description

The TUNNEL-500 loudspeaker is designed to be very directional and therefore excellent for tunnel applications.

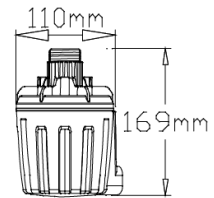
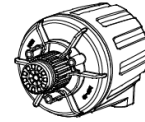
# SPL vs Freq



## Technical Dimensions



DUP-40



# Specifications

## SPECIFICATIONS

Material / Color	Plastic V0 Halogen free / Black
Weight	13 kg
Mounting	2 brackets
Termination	Inside ceramic terminal
IP-rating with DUP-40	IP-67
Max. / min. amb. temp	90°C / -50°C
Rated / max. power	40W / 60W
SPL 1W/1m	113 dB
SPL rated power	127 dB
Effective freq. range	250 – 8125 Hz
Dispersion (-6dB) 1kHz / 4kHz	40°/ 35°