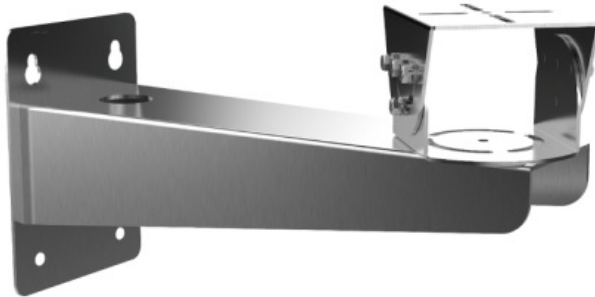


2310111122

DS-1701ZJ bracket

Anti-Corrosion Wall Mounting Bracket for Box Camera



- ✓ Stainless steel material
- ✓ Anti-corrosion design
- ✓ Design of cap is for convenient wiring

Description

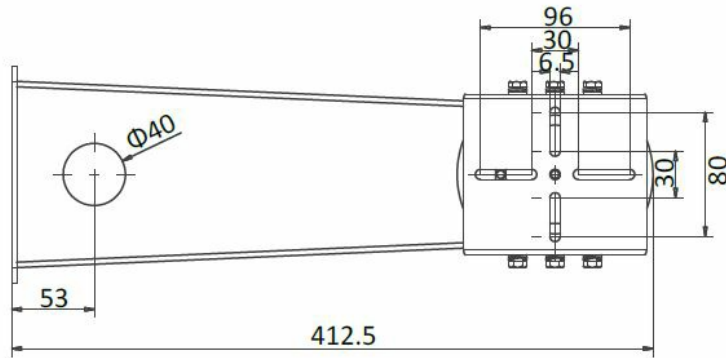
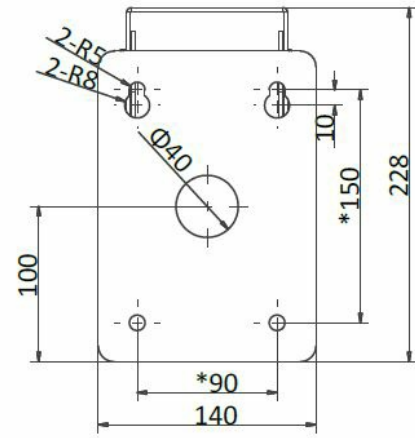
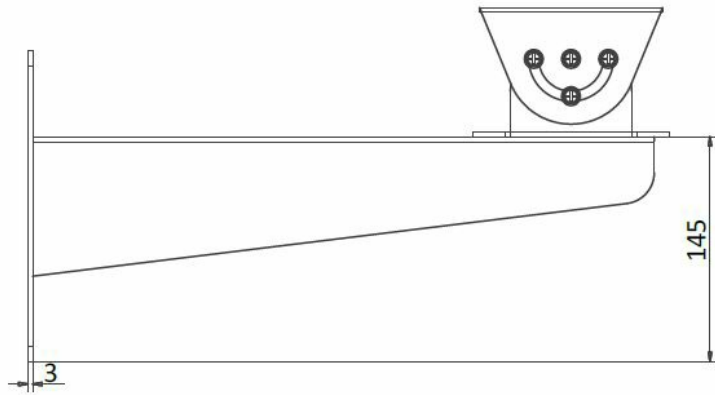
Wall mount bracket in stainless steel for box cameras

Notes

- ✓ The bracket should be installed on flat wall.
- ✓ The wall must be capable of supporting over 3 times as much as the total weight of the camera and the mount.
- ✓ The maximum load capacity of the bracket is 20KG.

Technical Dimensions

Dimension



Specifications

DETAILS

Model: DS-1701ZJ

Parameters: Anti-Corrosion Wall Mounting Bracket for Box Camera

Appearance: Unpainted Stainless Steel

Material: Stainless Steel

Dimension:
228x140x412.5mm

Weight: 3800g

Used With



DS-2TD2466-25Y thermal camera

Thermal imaging IP Camera

Item Number: 2310111148