

1020600910

VSP-122

Main Station



- ✓ Wall mounting
- ✓ 12 extensions selector
- ✓ With watertight housing
- ✓ For use in bridge wings and open deck areas

 IP66

Description

VSP-122 Main Station: Watertight Batteryless Telephone

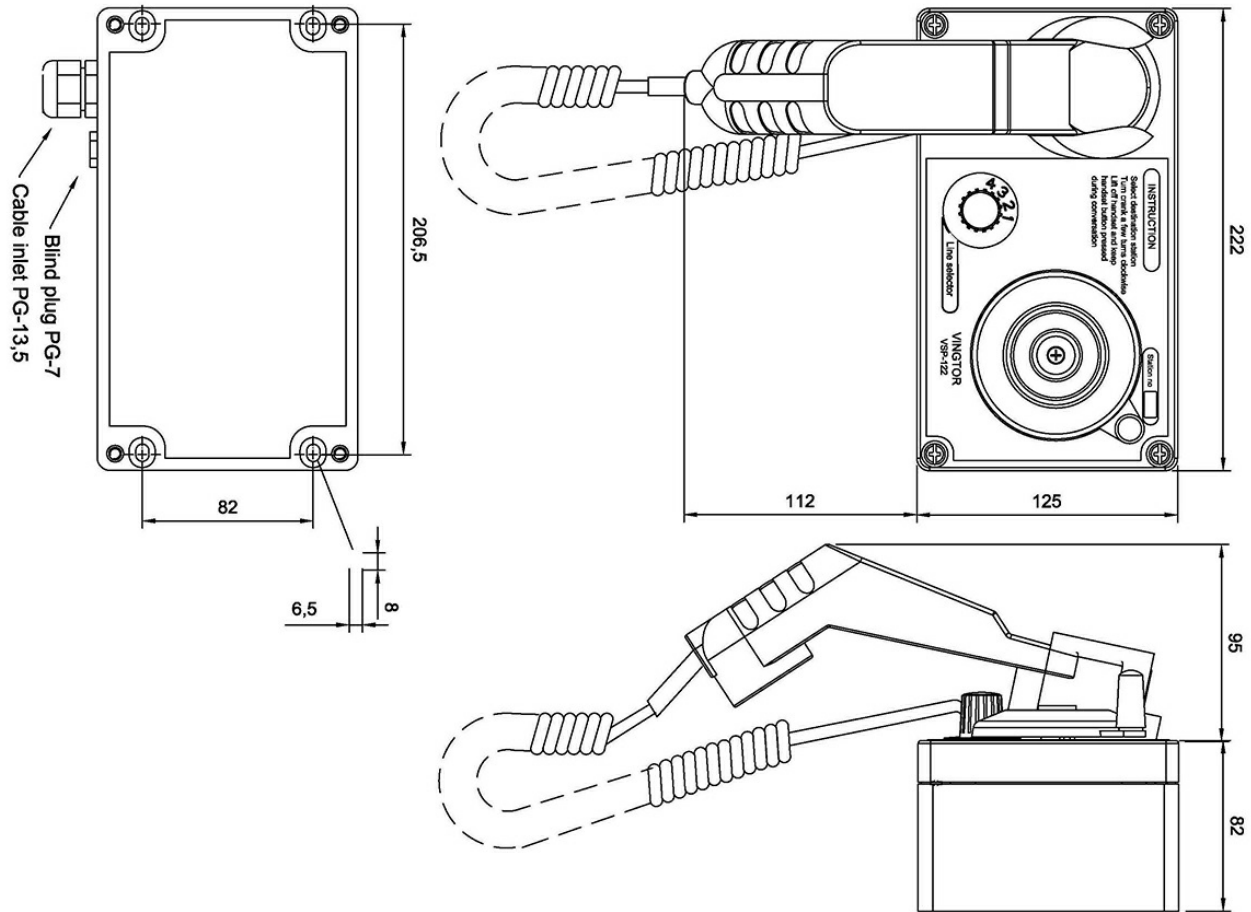
The VSP-122 Main Station is a durable part of our 12-Way Batteryless Telephone System, specifically designed for outdoor application.

Its characteristics include:

- ✓ **Watertight Housing:** Ensures performance in all weather conditions, perfect for bridge wings and deck areas.
- ✓ **12-Position Selector Switch:** Facilitates selective calling to enhance communication efficiency.
- ✓ **Strategic Outdoor Placement:** Maximizes communication reach in critical situations, especially during power outages.

The VSP-122 is the go-to solution for outdoor communication needs, offering a watertight, reliable link in compliance with SOLAS standards.

Technical Dimensions



Specifications

GENERAL

Connections	Screw terminals
Housing	ROSE Box (AlSi12)
Handset	RA-250 w/ holder
Colour	Grey RAL7001 / Handset black
IP rating	IP-66
Operating temperature range	-25°C to 55°C
Cable inlet	1x PG-13.5
Weight	2.0 kg
Dimensions (WxHxD)	220 x 220 x 185 mm (with handset)
Compass Safe Distance	> 155 cm

Accessories



VSP-36-PEL-A

Headset with boom mic, headband, and 10m cable

Item Number: 1020600771



VSP-36-PEL-A/20

Headset with boom mic, headband, and 20m cable

Item Number: 1020600772



CD-4

Plugbox Waterproof

Item Number: 1020159000



VSP-36-PELP-A

Headset with boom mic, headband, and 10m cable

Item Number: 1020600773



VSP-36-PELP-A/20

Headset with boom mic,
headband, and 20m cable

Item Number: 1020600774



IRR-24

Relay Box

Item Number: 3006202045



IRR-VSP-220

Relay box 220V AC for
VSP-12 way

Item Number: 1020600995