



AK5850

AK5850

Ex-approved Headset with helmet mounting

Replacement item: [AK5850B](#)

- ✓ Rugged headset for Ex and Industrial environments
- ✓ Helmet mount
- ✓ Noise-cancelling microphone
- ✓ High quality digital background noise reduction
- ✓ HD-voice compatible
- ✓ High quality audio
- ✓ Standard 4-pole Nexus connector for easy connection/replacement
- ✓ For use with Ex-approved and industrial plugbox with PTT
- ✓ Low smoke and halogen free cable
- ✓ Designed for Turbine Ex explosion-proof and industrial intercoms

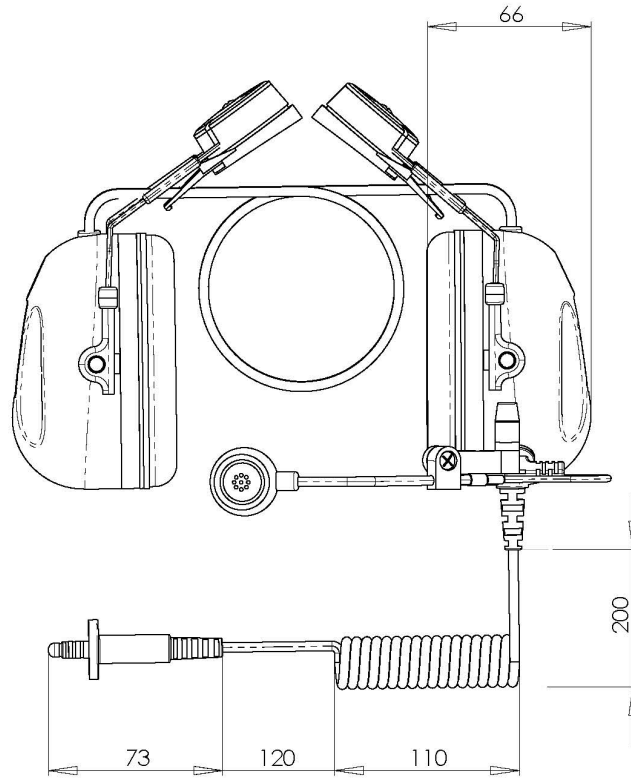
 IP54  ICX-AlphaCom  Exigo

Description

The AK5850 is a high quality industrial Ex-approved headset for use in rugged conditions. It offers an adjustable boom microphone and a short curly cable for flexible connectivity through a 4-pole Nexus plug. This headset is designed for use with the Vingtor Stentofon Turbine Ex and Industrial Intercoms and are HD Voice compatible when used with these stations.

Used with the TAX-2B/TA-22B Cable and Plugbox with PTT, it offers an exceptional range of over 10 meters. The pluggable nature of the headset allows for easy maintenance/replacement as well as allowing operators to use their personal headset as a hearing protection aid, and disconnecting once the conversation is over.

Technical Dimensions



Specifications

MECHANICAL

Weight	400 g
--------	-------

ENVIRONMENTAL

Operational Temperature	-40°C to +60°C
-------------------------	----------------

Ingress Protection (IP)	IP-54 (when worn)
-------------------------	-------------------

ELECTRICAL

Impedance	230 ohm
-----------	---------

Sensitivity (mic)	4 mV / 220 ohm
-------------------	----------------

ACOUSTICAL

Frequency Response	90-7000 Hz
--------------------	------------

Noise Reduction	-12dB @ 1kHz
-----------------	--------------

SOUND ATTENUATION

Above 1kHz:	-35 to -40 dB
-------------	---------------

500-1000 Hz	-27.5 to -35 dB
-------------	-----------------

125-500 Hz	-15 to -27.5 dB
------------	-----------------

H84	31 dB (with in-ear monitor: 39 dB)
-----	---------------------------------------

M84	26 dB (with in-ear monitor: 37 dB)
-----	---------------------------------------

L84	20 dB (with in-ear monitor: 33 dB)
-----	---------------------------------------

SNR84	29 dB (with in-ear monitor: 40 dB)
-------	---------------------------------------

NRR	21 dB
-----	-------

CERTIFICATIONS

CENELEC safety standards	EN 60079-0: 2012 + A11: 2013 & EN 60079-11: 2012
IEC safety standards	IEC 60079-0: 2011, IEC 60079-11: 2011
Marking	II 2G Ex ib IIC T4 Gb, -40°C ≤ Ta ≤ +60°C
ATEX certificate	Nemko 03ATEX1351
IECEX certificate	IECEX PRE 15.0063

Accessories



TAX-2B

Ex-Approved Plugbox & Cable for Headset with PTT



TA-22B

Industrial Plugbox & Cable for Headset with PTT

Used With



TFIE-1

IP and SIP Intercom



TFIE-2

IP and SIP Intercom



EAPII-1

Exigo Industrial Access Panel, 1 Button



EAPII-6

Exigo Industrial Access Panel, 6 Buttons



TFIE-6

IP and SIP Intercom



EAPFX-6-V2

Exigo Industrial Ex Access
Panel, 6 Buttons - V2



EAPFX-1-V2

Exigo Industrial Ex Access
Panel - V2



TFIX-1-V2

Ex IP Intercom Station- full
keypad



TFIX-2-V2

Ex IP Intercom Station with 6
buttons



TFIX-3-V2

Ex IP Intercom Station with 3
buttons