

3006100043

DST - 100

Driver Unit for Horn Loudspeaker



Description

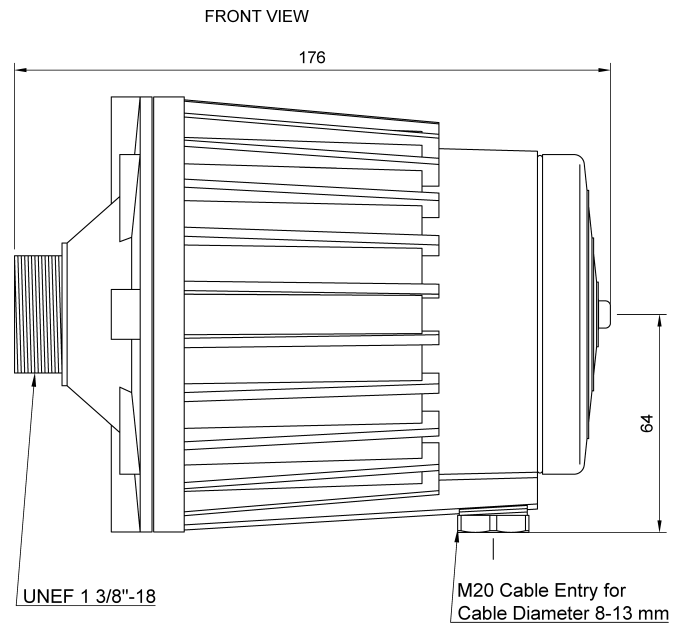
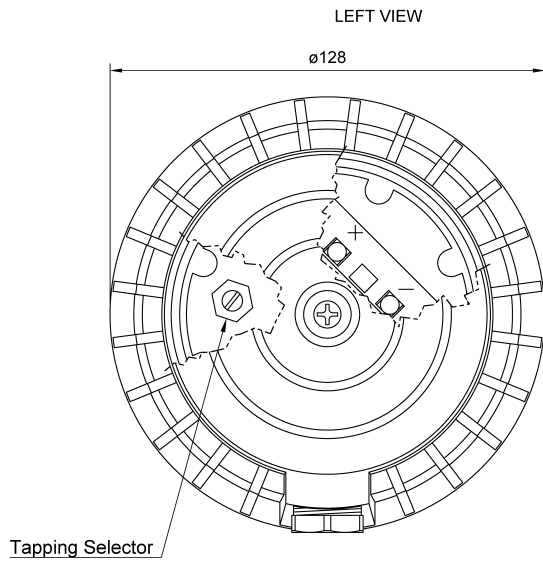
- ✓ 100 W driver unit for use together with DH-50 horn speaker
- ✓ 100V line transformer
- ✓ Waterproof IP-67
- ✓ Suitable for covering large areas.
- ✓ Aluminium case

Screw driver unit for use with a suitable horn (model DH-50).

For optimum performance, always use the correct voltage/power and operate within the frequency limits as stated.

The loudspeaker should be checked on a regular basis to avoid any build-up of debris.

Technical Dimensions



Secondary switch tappings:

1/1	100W
1/2	60W
1/4	30W
1/8	15W
1/16	7.5W

Specifications

GENERAL

Material / Color	Aluminum alloy / RAL 7035
Mounting	Threaded UN EF 13/8 - 18
Termination	Inside screw terminals
Weight driver unit	2.5 kg
IP-rating (UL equivalent)	IP- 67
Max / min amb temp	200 °C / -50 °C
Rated/ max power	100 W / 100 W
SPL 1W/1m with horn	112 dB (DH-50), 110 dB (DH-30)
SPL rated power with horn	132 dB (DH-50), 130 dB (DH-30)
Effective freq range with horn	200 – 5000 Hz (DH-50) 300-5000 Hz (DH-30)
Dispersion (-6dB) 1kHz / 4kHz	50° / 20° (DH-50) 80° / 25° (DH-50)
Options	Impedances, colors, labels
Dispersion	(-6dB)1kHz / 4kHz 140° / 100°
Environmental Condition	Exposed

Used With



DH-50

Waterproof Horn

Item Number: 3006100036